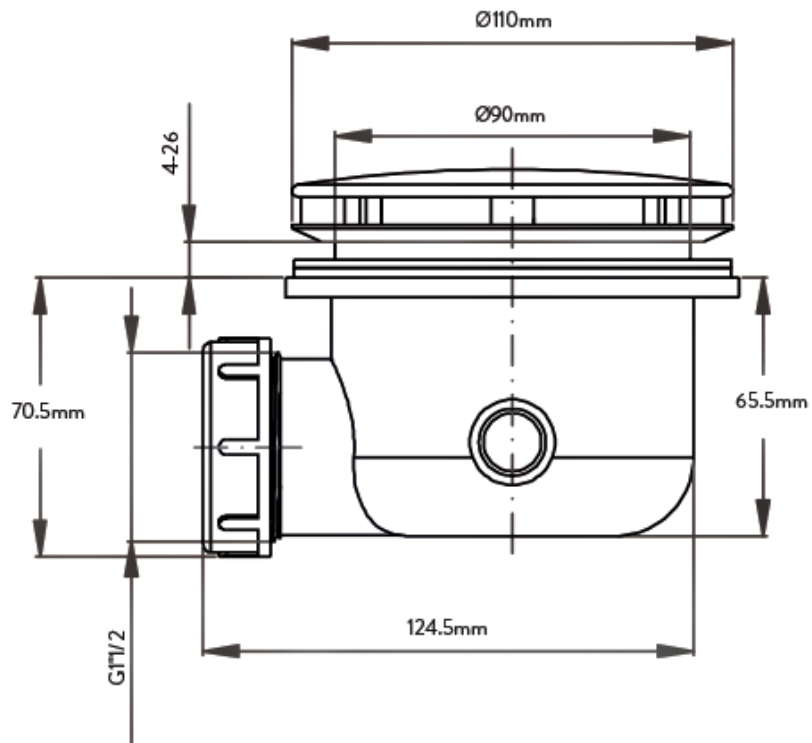


# ELISA™ Antonella™

SHOWER WASTE - BRUSHED BRASS

SW.90.BB

## DIMENSIONAL DRAWINGS



# ELISA™ Antonella™



SHOWER WASTE - BRUSHED BRASS

---

## TECHNICAL SPECIFICATIONS

Minimum pressure requirements	N/A
Maximum pressure requirements	N/A
Inlet fitting connections	
Tap holes	N/A
Handle type	N/A
Water system	N/A
Features	
Colour	Brushed Brass
Guarantee period	5 years (if the product is registered)