

# Technical Data Sheet

Quantum Dual Function Bar Valve Shower System  
 Black - SQT1512, Brushed Brass - SQT1513

# TAVISTOCK

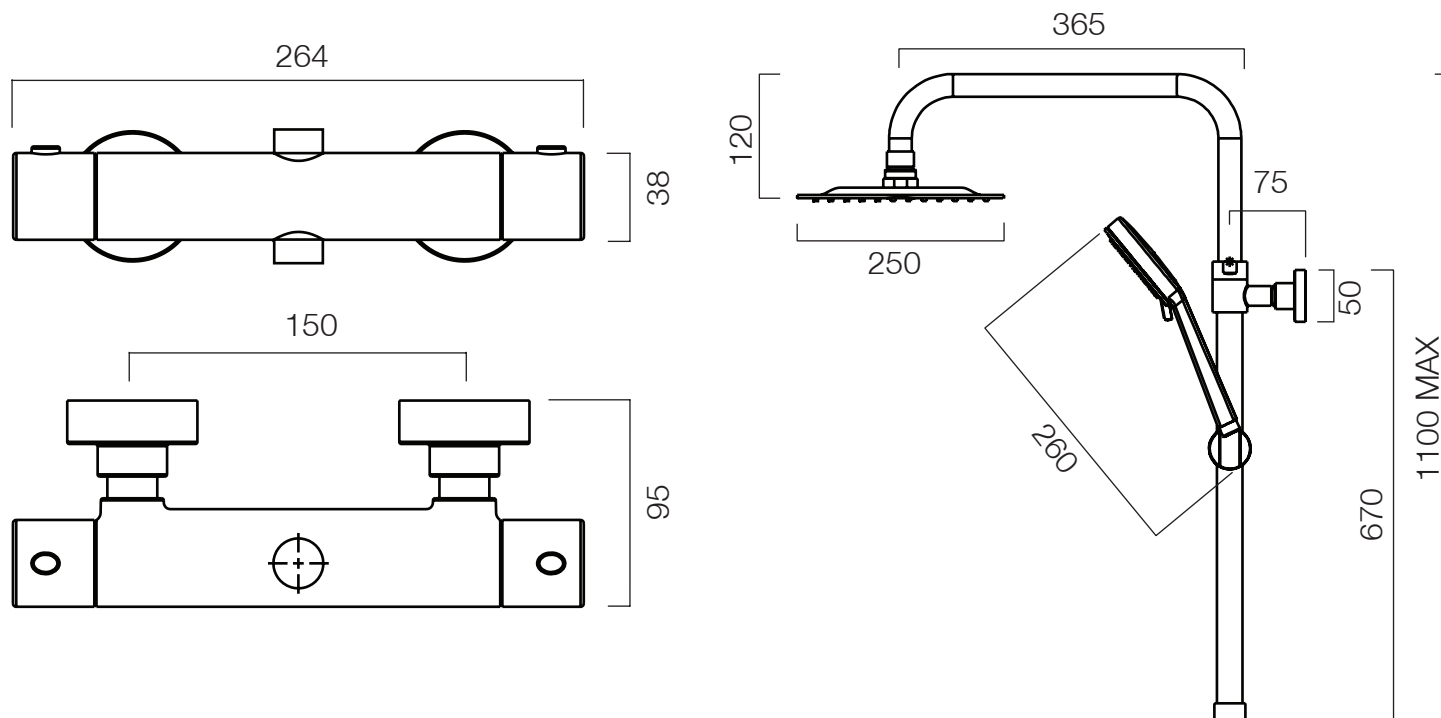
No.	Description	Code	Fixings Included
1	Quantum Cool Touch 2F Shower System	SQT1512, SQT1513	YES



**FLOW RATE DATA IS TESTED UNDER LABORATORY CONDITIONS: ACTUAL FLOW RATE MAY VARY DEPENDING ON DOMESTIC SUPPLY AND ACCESSORIES**

Inlet Pressure	Flow Rate (l/min)
1bar	12
2bar	17
3bar	21
4bar	24
5bar	27

## Dimensions - Overview



\*Dimensions are subject to change, customers are advised to measure Actual product before commencing installation.

## FAQs

- How tall is the riser rail?** Adjustable: 760mm - 1100mm
- How long is the shower hose?** 1.5m
- What is the minimum pressure for the valve?** 1.0bar
- What is the valve connection size?** 1/2" BSP

### Component Materials

- Shower Hose:** PVC with EDPM washers
- Riser Rail:** Stainless steel with ABS slider
- Wall Covers:** Stainless steel
- Bar Valve:** Brass
- Shower Handset:** ABS
- Shower Head:** Stainless Steel