

Technical Data Sheet

Shower Systems

TAVISTOCK

No.	Description	Code	Fixings Included
1	Merit 2F Shower System	SMT1509	YES

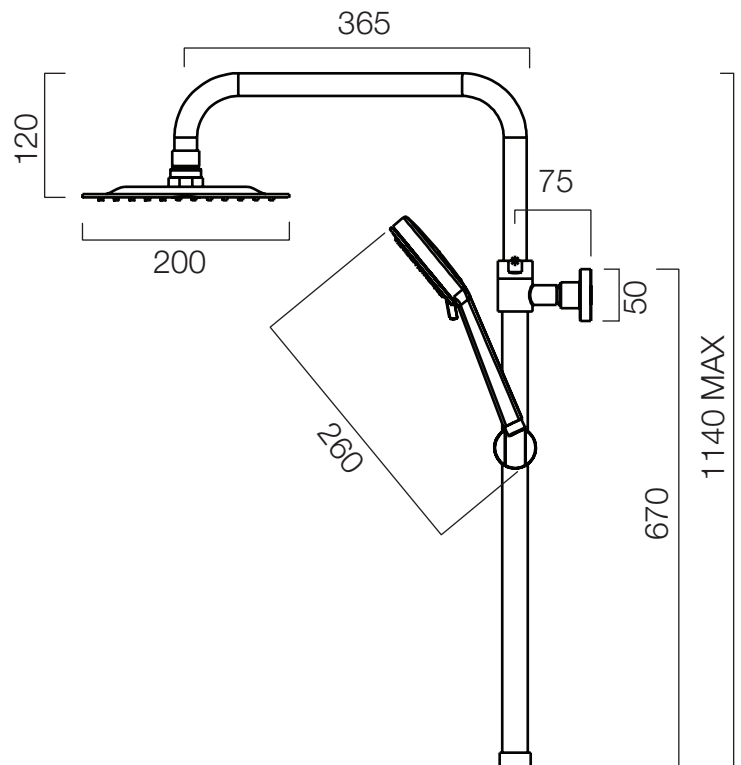
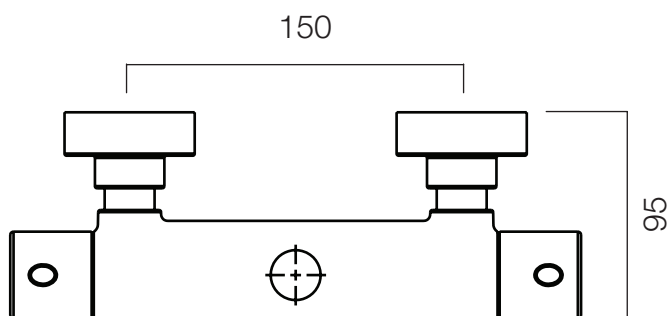
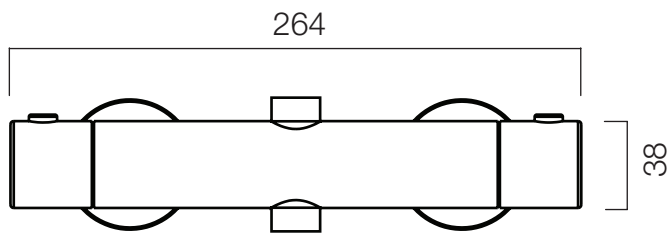


Inlet Pressure	Flow Rate (l/min)
1bar	9
2bar	12.5
3bar	15.5
4bar	17.5
5bar	20

Flow from valve may vary depending on accessories and domestic supply.

Dimensions - Overview

Diagrams not to scale. All dimensions in mm (tolerance of +/-5mm)



FAQs

How tall is the riser rail? Adjustable: 760mm - 1140mm

How long is the shower hose? 1.5m

What is the minimum pressure for the valve? 1.0bar

What is the valve connection size? 1/2" BSP