

Technical Data Sheet

Axiom Dual Function Concealed Shower Valve
SAX2765 (Chrome), SAX2764 (Black)

TAVISTOCK

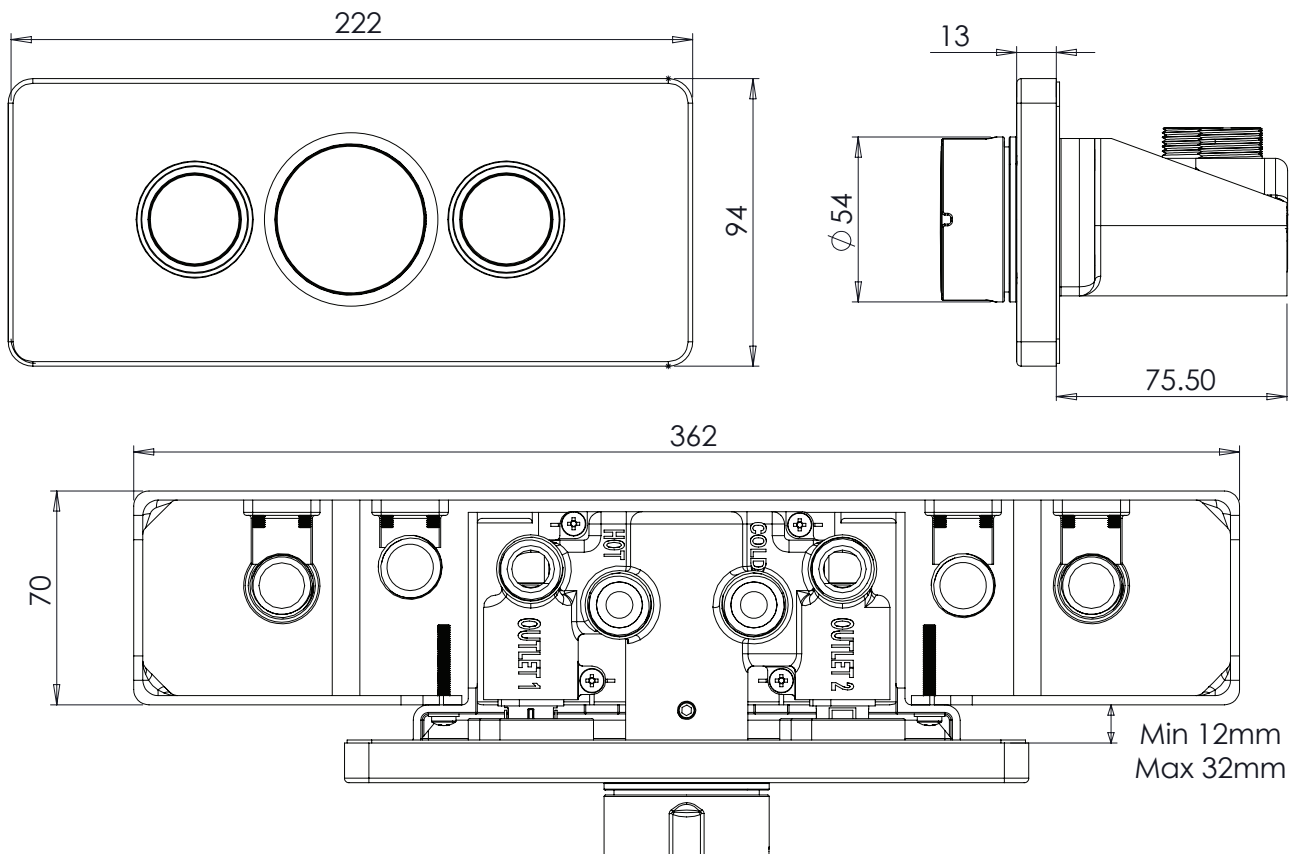
No.	Description	Code	Fixings Included
1	Axiom Dual Function Concealed Valve	SAX2765, SAX2764	YES



FLOW RATE DATA IS TESTED UNDER LABORATORY CONDITIONS: ACTUAL FLOW RATE MAY VARY DEPENDING ON DOMESTIC SUPPLY AND ACCESSORIES

Inlet Pressure	Flow Rate (l/min)
0.5	7.2
1Bar	10.6
2Bar	14.5
3Bar	17.6
4Bar	20.2

Dimensions - Overview



FAQs

Can I have both shower options on at the same time? Yes

What size pipework do I need? 15mm

What size timber stud do I need? Minimum depth of 89mm - Installation frame is designed to fit between 400mm centre studs

Is it suitable for brick walls? It is recommended you use CLS size 89mm depth within the wall

What is the size of the connections? The valve uses 1/2" connections

Does the valve include isolation points? Yes