

# Technical Data Sheet

## Shower Systems

# TAVISTOCK

No.	Description	Code	Fixings Included
1	Axiom Dual Function Shower System w/ Head and Handset	SAX2549	YES

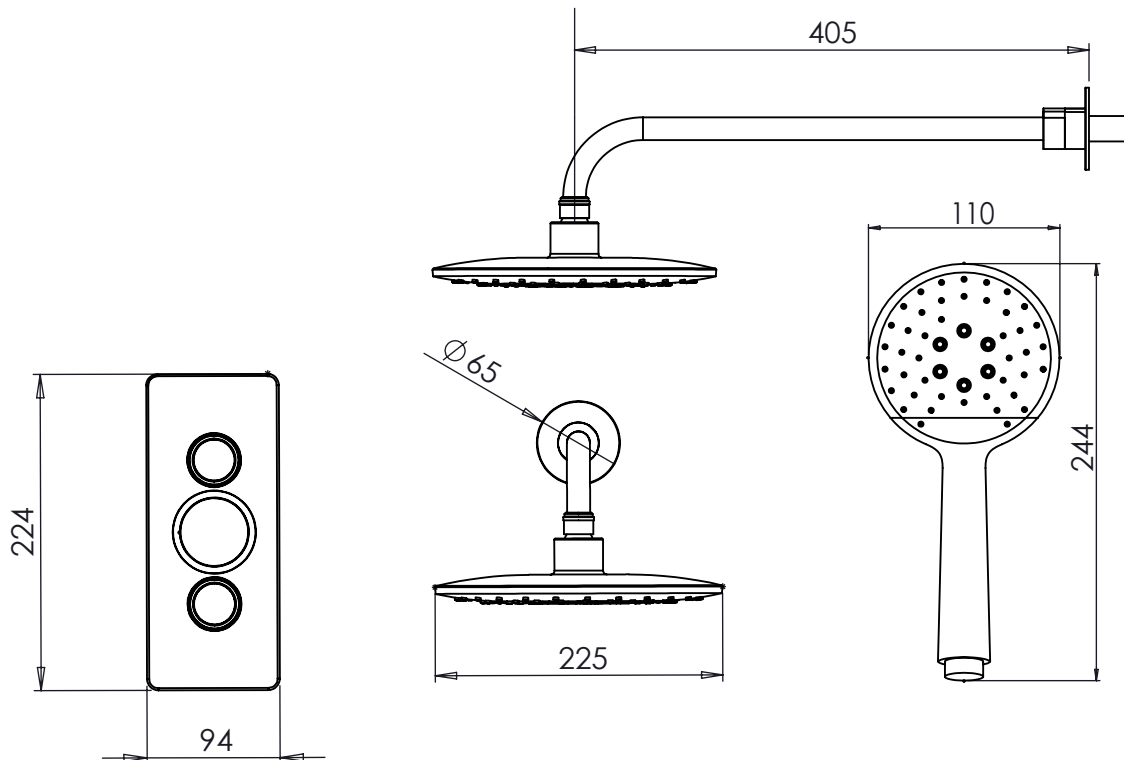


**FLOW RATE DATA IS TESTED UNDER LABORATORY CONDITIONS: ACTUAL FLOW RATE MAY VARY DEPENDING ON DOMESTIC SUPPLY AND ACCESSORIES**

Inlet Pressure	Flow Rate (l/min)
1bar	9.7
2bar	14
3bar	17
4bar	19
5bar	21

## Dimensions - Overview

Diagrams not to scale. All dimensions in mm (tolerance of +/-5mm)



## FAQs

**How long is the shower hose?** 1.5m

**What is the minimum pressure for the valve?** 1.0bar

**What is the valve connection size?** 1/2" BSP suitable for 15mm pipework

# Technical Data Sheet

## Axiom Push Button Shower

# TAVISTOCK

No.	Description	Code	Fixings Included
1	Axiom Dual Push Button Shower Valve	N/A	YES

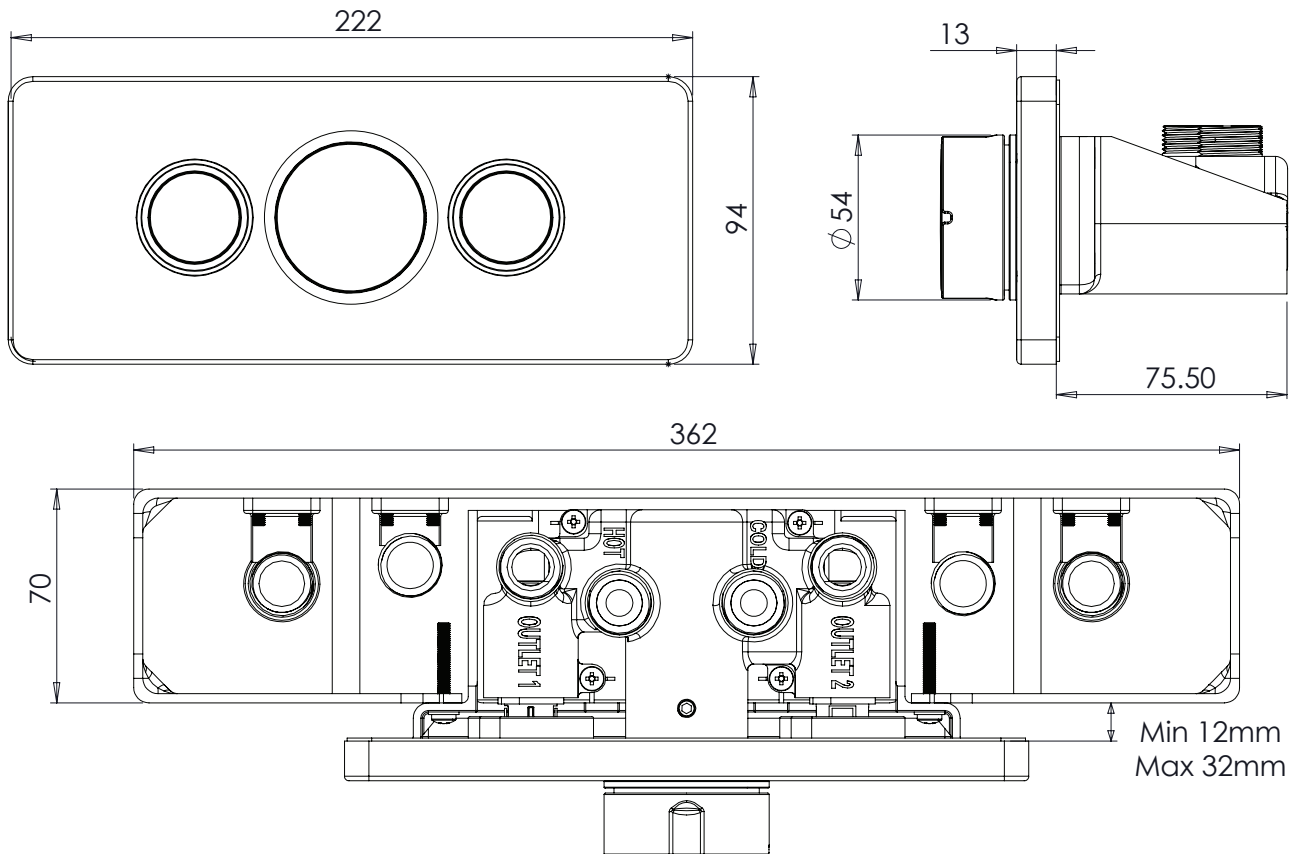
Whats in the box?	Material
Cover Plate and controls	Chrome Plated Zinc
Valve	(Body) Brass
Flexible Hoses	PVC
Installation Frame	Zinc Plated Steel

Inlet Pressure	Flow Rate (l/min) Head	Flow Rate (l/min) Handset
1bar	9.7	9.5
2bar	14	13.5
3bar	17	16.5
4bar	19	18.5
5bar	21	20.5

**FLOW RATE DATA IS TESTED UNDER LABORATORY CONDITIONS: ACTUAL FLOW RATE MAY VARY DEPENDING ON DOMESTIC SUPPLY AND ACCESSORIES**

### Dimensions

Diagrams not to scale. All dimensions in mm.



\*Dimensions are subject to change, customers are advised to measure actual product before commencing installation.

### FAQs

**How do I control the shower water flow?** Push the button

**Can I have both shower options on at the same time?** Yes

**What size pipework do I need?** 15mm

**What size timber stud do I need?** Minimum depth of 89mm - Installation frame is designed to fit between 400mm centre studs

**Is it suitable for brick walls?** It is recommended you use CLS size 89mm depth within the wall

**What is the size of the connections?** The valve uses 1/2" connections

**Does the valve include isolation points?** Yes