

# Technical Data Sheet

## Shower Systems

# TAVISTOCK

No.	Description	Code	Fixings Included
1	Axiom Triple Function Shower System w/ Head and Handset	SAX2750	YES

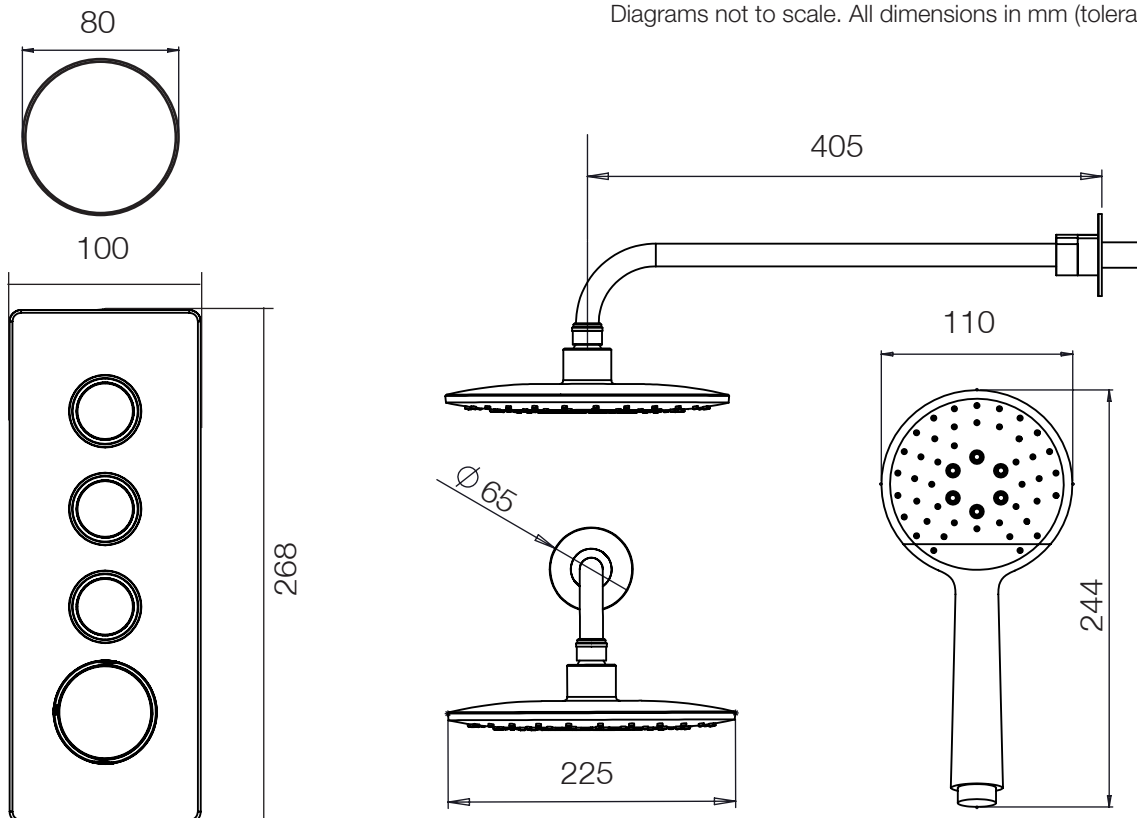


**FLOW RATE DATA IS TESTED UNDER LABORATORY CONDITIONS: ACTUAL FLOW RATE MAY VARY DEPENDING ON DOMESTIC SUPPLY AND ACCESSORIES**

Inlet Pressure	Flow Rate (l/min)
1bar	10.1
2bar	15
3bar	18.4
4bar	20.5
5bar	22.5

## Dimensions - Overview

Diagrams not to scale. All dimensions in mm (tolerance of +/-5mm)



## FAQs

**How long is the shower hose?** 1.5m

**What is the minimum pressure for the valve?** 1.0bar

**What is the valve connection size?** 1/2" BSP suitable for 15mm pipework