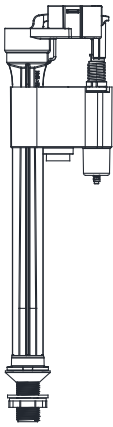
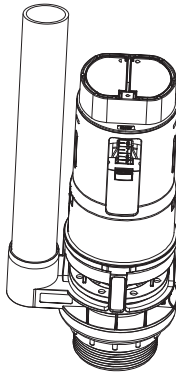
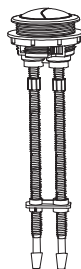





Installation Instruction for Dual Flush Cistern Fittings

Parts Supplied:

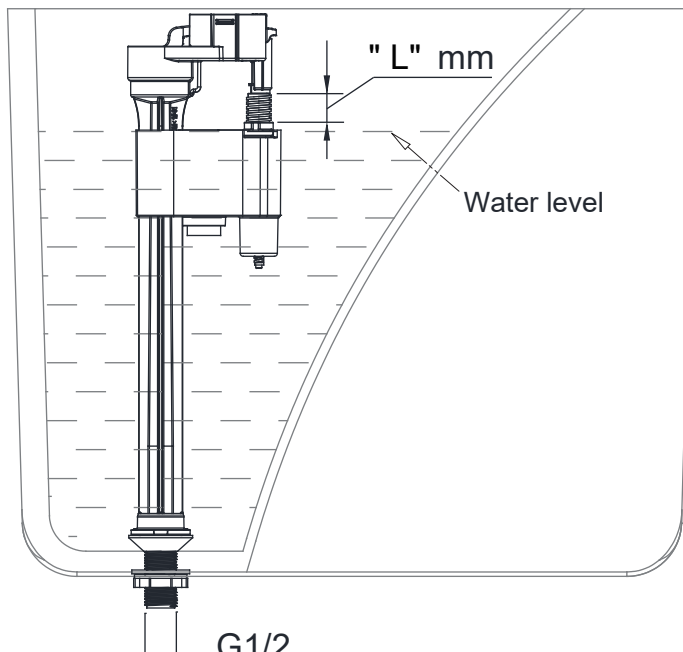
Inlet Valve	Flush Valve	Button	Bolt	Flush Cone
				SP697 SP1375-1 
1x	1x	1x	2x	SP1220-1 
				1x

- Please read these instructions carefully to avoid damage to the valves, and to ensure correct installation.
- Do not use bleach or bleach based cleaning products in the cistern, as these will cause damage to the seals. We cannot be held responsible or liable for any failure which results from the use of bleach based products.
- Water temperature range +2C to +45C.
- Water pressure 0.2 to 8 bar.

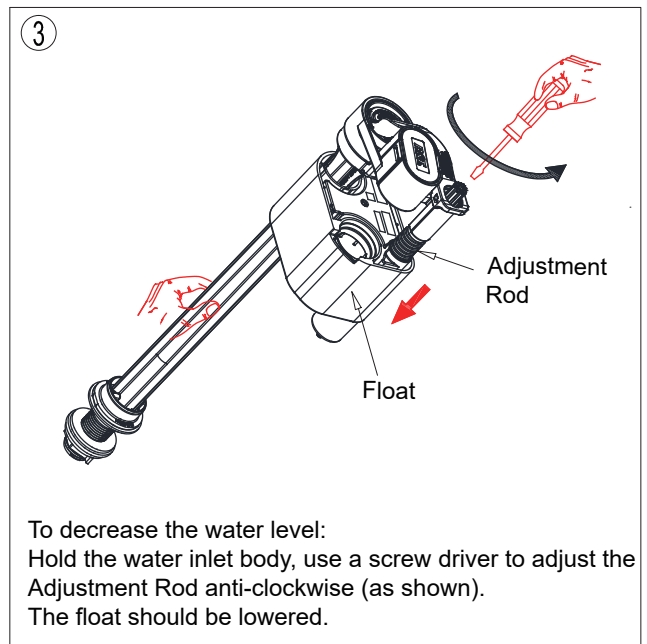
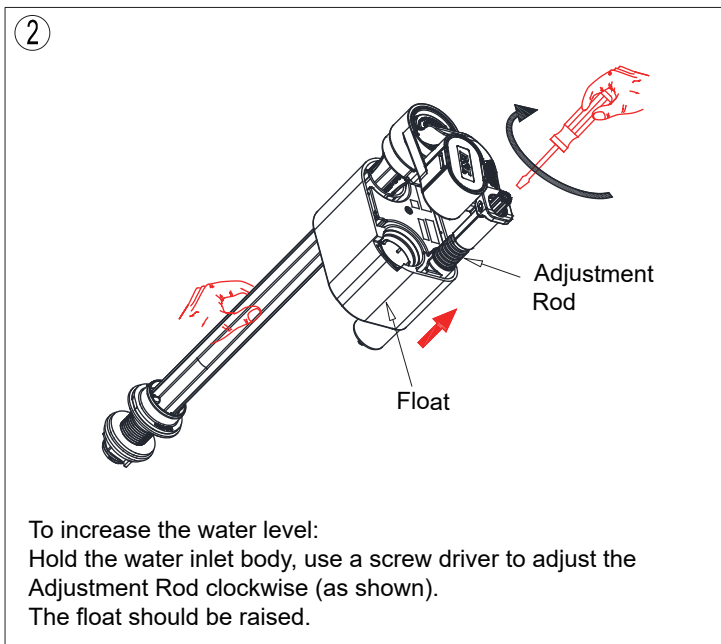
Inlet Valve Installation And Problem Solving

1: Inlet Valve scale and adjustment settings

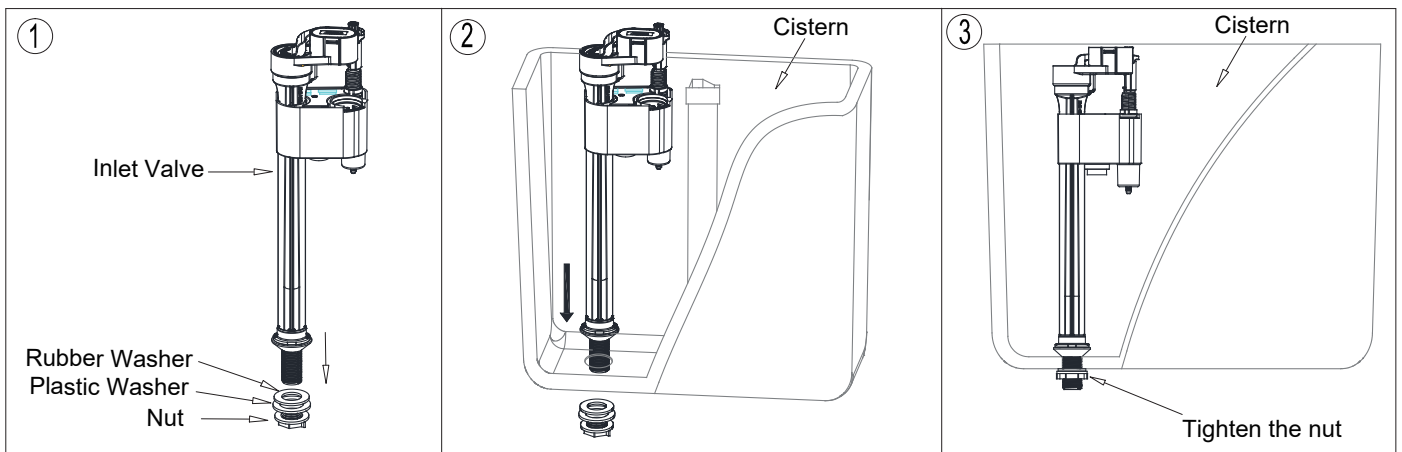
①



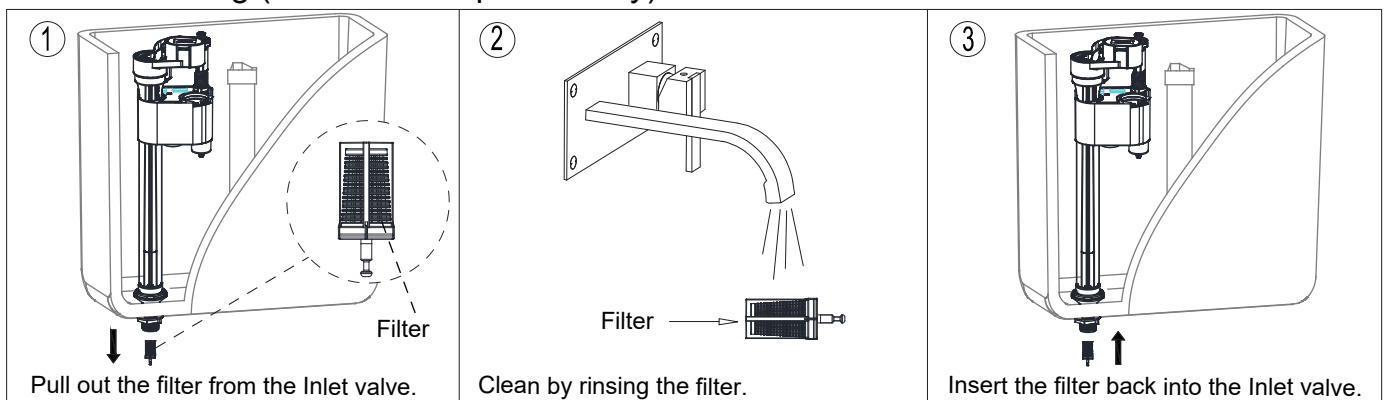
Note:
 The Inlet Valve should be adjusted for the particular cistern into which it is being installed.
 Please refer to the Adjustment Instruction on page 5 for the "L" settings.



2: Inlet Valve installation



3: Filter cleaning (Please clean periodically)



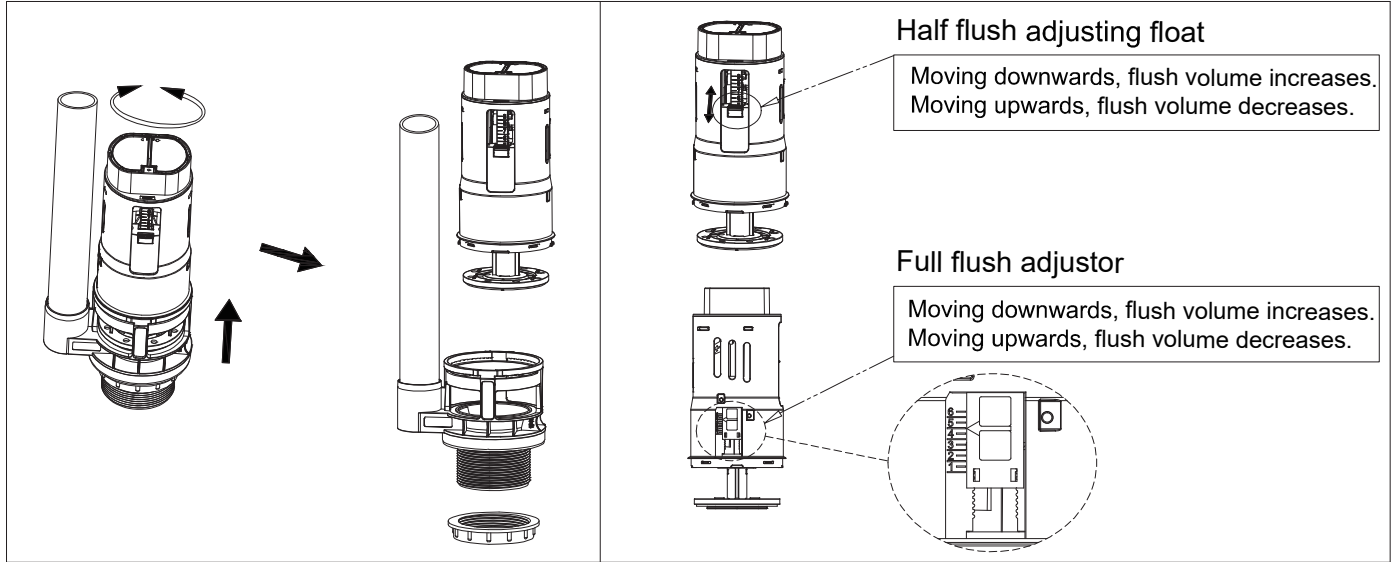
4: Inlet Valve trouble shooting

Problem	Reason	Solution
Incorrect water level	Incorrect adjustment.	Adjust the Water level correctly as per page 1 & 2.
Inlet Valve does not work	Water supply is closed.	Open the water supply.
	The filter is blocked.	Clean the filter.
Leakage	The Float has been over adjusted beyond its operational range.	Reconnect the Adjustment Rod, and adjust the water level as per on page 1 & 2.
	The Inlet Valve fixing nut has not been tightened.	Tighten the nut.

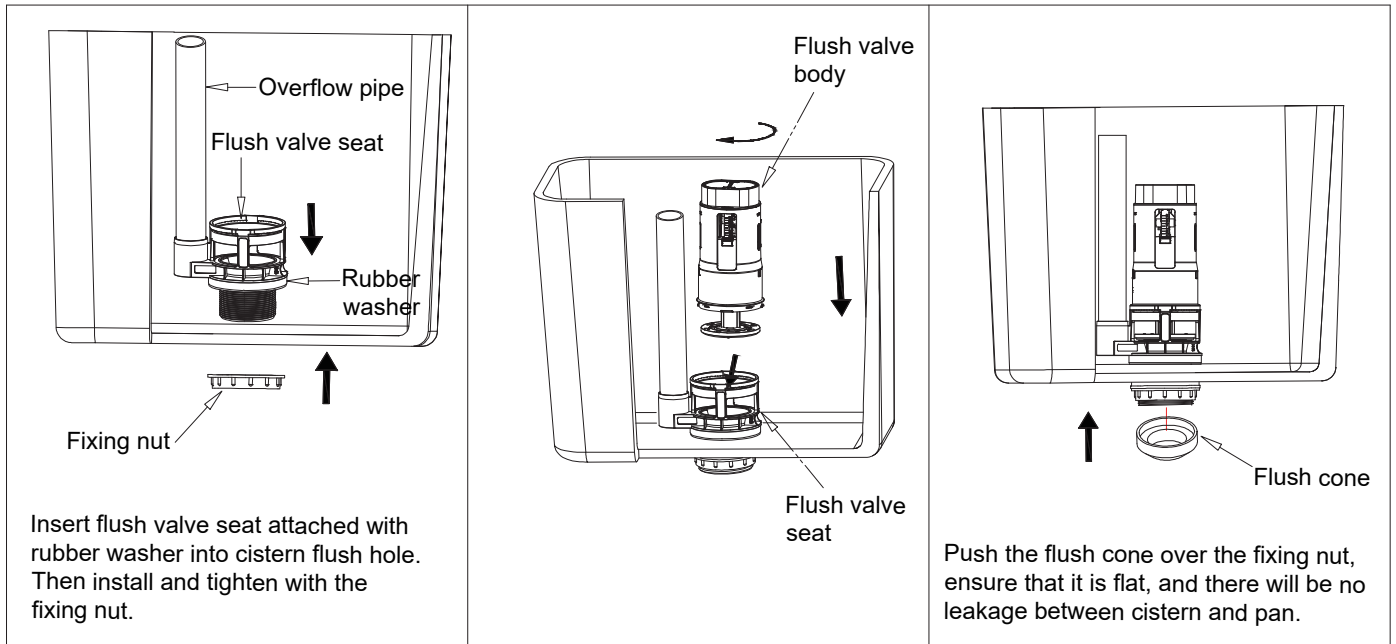
Flush Valve Installation And Problem Solving

1: Flush Valve scale and adjustment setting

Note: The Flush Valve should be adjusted for the particular cistern into which it is being installed.
Please refer to the Adjustment Instruction on page 6 for the full flush and half flush settings.
The diagrams below show the detailed adjustment method.



2: Flush Valve installation



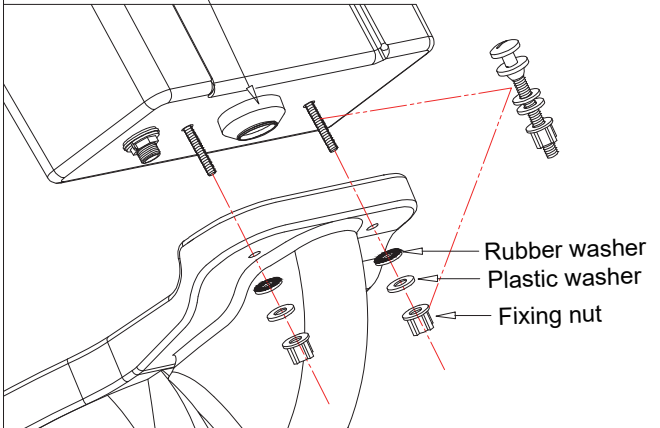
3: Flush Valve trouble shooting

Problem	Reason	Solution
Leakage	<ol style="list-style-type: none"> 1. Incorrect installation. 2. The push rod is too long causing a gap between the washer and the seat. 3. Flush valve seat does not fit on the flush valve body. 4. Flush valve body is stuck. 	<ol style="list-style-type: none"> 1. Install again according to the correct installation procedure. 2. Adjust the push rod length. (see page 4) 3. Install again, ensuring both surfaces are clean for a water tight seal. 4. Take off and wash flush valve body.
No flush, low flush or half flush volume	Push rod is too short.	Adjust the push rod length. (see page 4)
Full flush or half flush water level is too high or too low.	Water level is adjusted incorrectly.	Adjust the full flush adjustor or the half flush float cup.

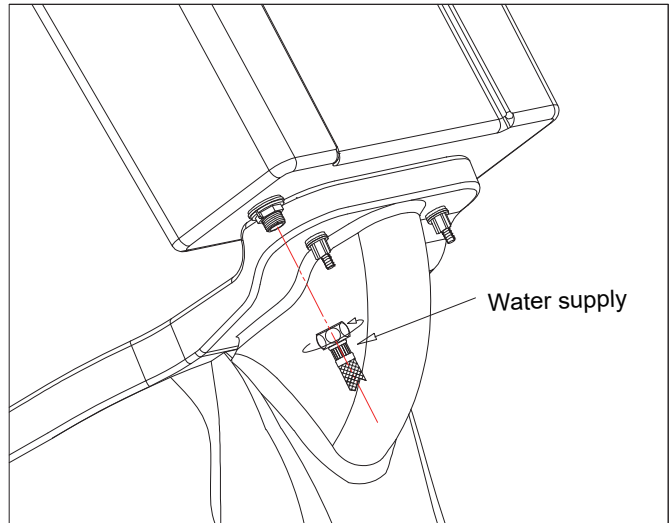
Cistern and Flush Button Installation

1: Install Close Coupled Cistern To Pan

* Please ensure the flush cone is in position before installation. A thin bead of silicone should be applied to the flush cone and the inlet hole of pan if necessary.



2: Connect the water supply to the cistern

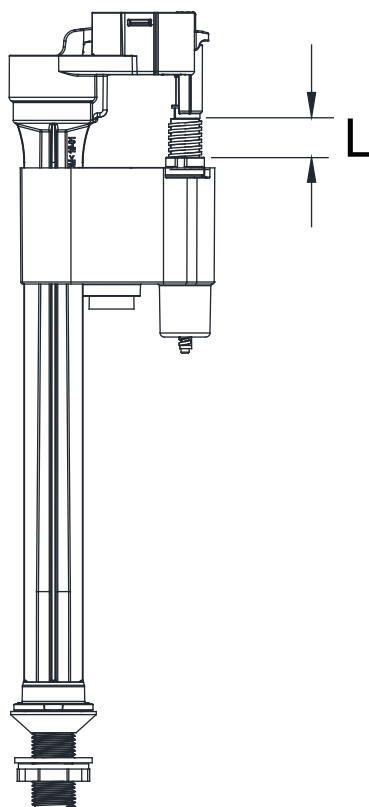


3: Install The Flush Button

<p>①</p> <p>Take off the fixing nut. Screw the lock nut to position.</p>	<p>②</p> <p>Install the dual flush button onto the cistern lid, and tighten the fixing nut.</p>	<p>③a</p>
<p>③b</p> <p>Loosen the lock nuts, and unscrew the push rods to cut off the redundant section. Please refer to the recommended length "Z" of push rods for particular cistern on page 7.</p>	<p>④a</p>	<p>④b</p> <p>Half Flush Button - Blue Full Flush Button - White</p> <p>Adjust the length of A by turning the push rod, and remember to tighten the lock nut after finishing the adjustment of the push rod (A). The final position should be that push rods just come into contact with the flush valve, but should not push down onto it unless the button is activated.</p>

4: After installation check that the full flush and half flush are working correctly. Please consult the trouble shooting pages if there are any problems.

Inlet Valve Adjustment Instructions



Note:

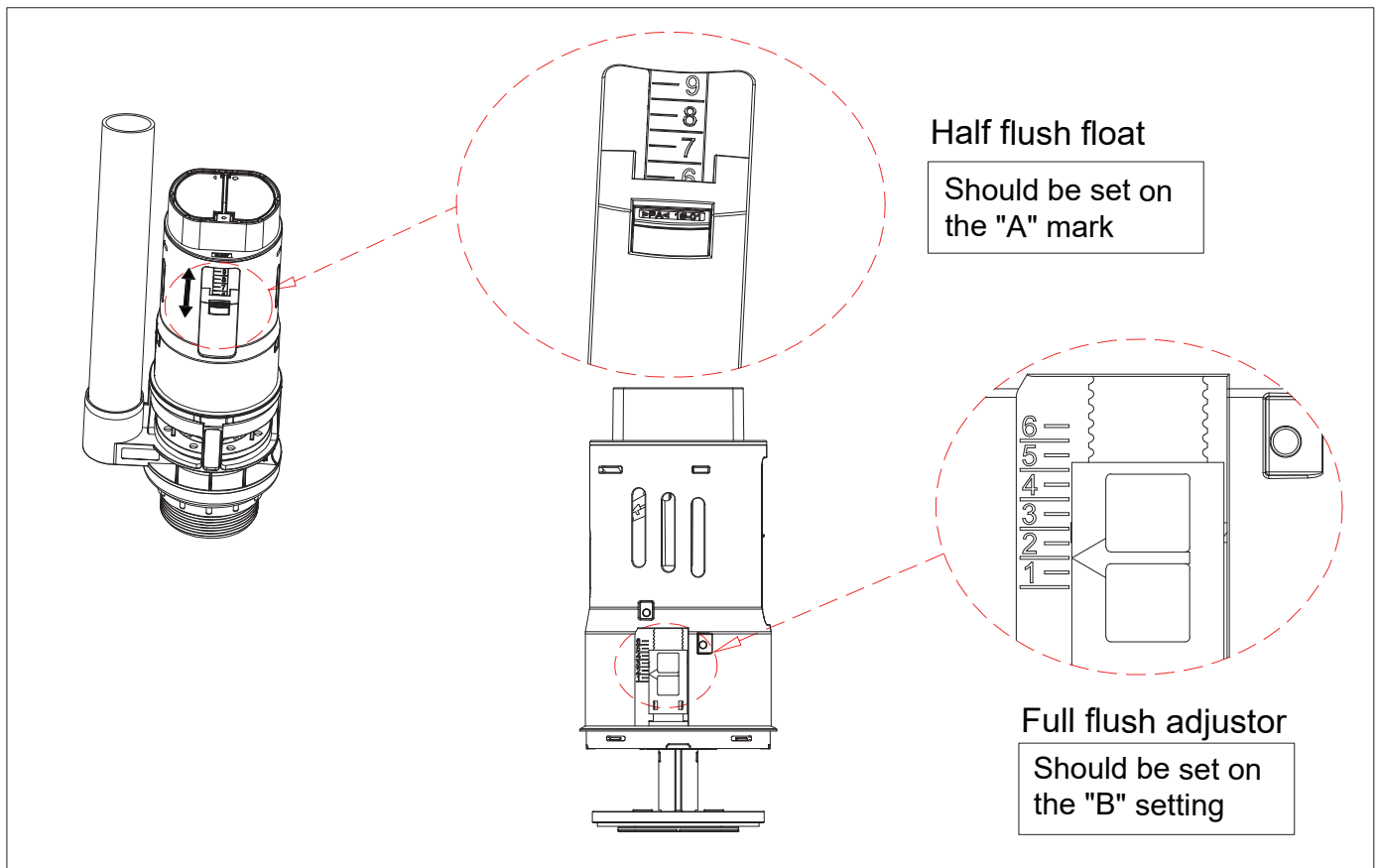
The above diagram is for reference only.

The inlet valve can be adjusted to suit the particular cistern, please refer to below tables for the settings.

For adjustment method, please refer to the installation instruction on page 1 & 2.

Cistern code	Range	L (mm)	
		6L full flush / 3L hafl flush	4.5L full flush / 2.6L hafl flush
15.B.27349	Stadium	46	56
15.B.27353	Sphere	41	57
MAR.0006	Milan	30	62
ZEN.002	ZEN	33	42
TRIM.002	Trim	38	67
SHR.045	Shoreditch Round	31	39
SHR.049	Shoreditch Square	30	39
CUR2.002	Curve 2	35	53
CC.1036	Curve	31	62
CM0007	Compact	29	42

Flush Valve Adjustment Instructions



Note:

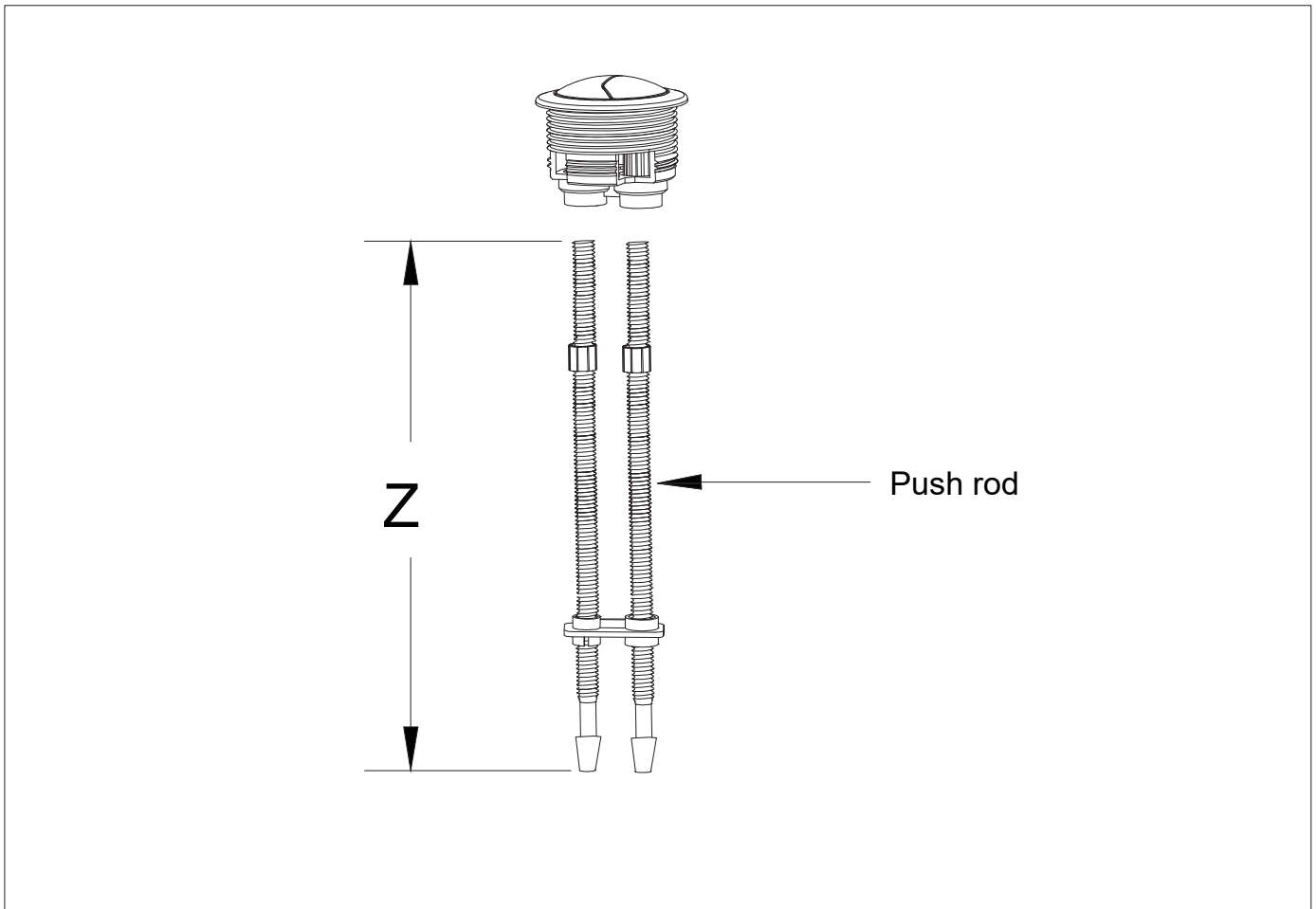
The above diagram is for reference only. In this example, A is set to 6.5 and B is set to 2.

The flush valve can be adjusted to suit the particular cistern, please refer to below tables for the settings.

For adjustment method, please refer to the installation instruction on page 3.

Cistern code	Range	6L full flush / 3L half flush		4.5L full flush / 2.6L half flush	
		A	B	A	B
15.B.27349	Stadium	4	1	7.5	5
15.B.27353	Sphere	4	1.5	7.5	5
MAR.0006	Milan	5.5	5	5	5
ZEN.002	ZEN	7.5	1	7.5	5
TRIM.002	Trim	6	2	7	5
SHR.045	Shoreditch Round	7.5	1	6.5	4.5
SHR.049	Shoreditch Square	7.5	1	6	5
CUR2.002	Curve 2	7.5	1.5	6.5	5
CC.1036	Curve	5	1.5	5	5
CM0007	Compact	6.5	1	6	3.5

Recommended length of push rods



The push rods can be cut off to suit the particular cistern, please refer to below table for the Z value.

Cistern code	Range	Z (mm)
15.B.27349	Stadium	207
15.B.27353	Sphere	159
MAR.0006	Milan	200
ZEN.002	ZEN	130
TRIM.002	Trim	190
SHR.045	Shoreditch Round	131
SHR.049	Shoreditch Square	118
CUR2.002	Curve 2	200
CC.1036	Curve	197
CM0007	Compact	197