

MAT10R.X, MAT10L.X, MAT12R.X,
MAT12L.X

TAVISTOCK

MATCH 1000MM & 1200MM RUN LEFT & RIGHT

FURNITURE CARE INSTRUCTIONS

As with all wooden furniture, this product should be treated with care.

We recommend...

Wipe away any water splashes or condensation after use. Excessive exposure to water will deteriorate the furniture.

All bathrooms should be well ventilated with a suitable extractor fan.

Clean with a soft damp cloth only.

Use a wax free polish if one must be used.

For removal of lime scale deposits use a suitable proprietary cleaner. If necessary test on an inconspicuous area first.

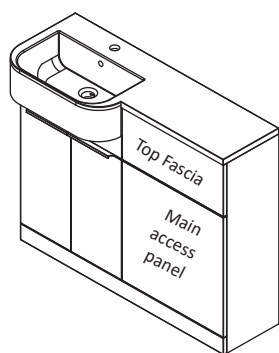
Please DO NOT...

Do not scrub or scour.

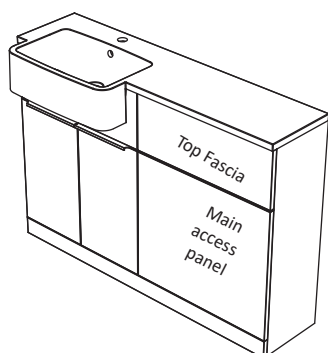
Do not use abrasive cleaning agents.

PREPARING CUT SURFACES

Before installation



1000MM



1200MM

It is essential that any surfaces of the unit which are cut during installation are re-sealed using an appropriate waterproof sealant, varnish or oil based paint. Failure to re-seal cut surfaces will invalidate the product warranty and may result in water damage.

Installing WC/bidet

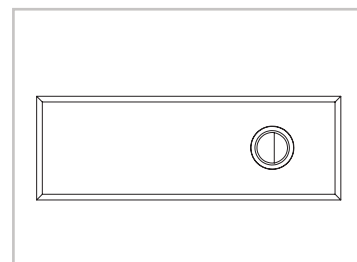
It is recommended that units are joined before they are fixed to the wall. Please note that these instructions are a guide only and may not be appropriate for all installations. Fit WC/bidet according to manufacturer's instructions. The main access panel and fascia are designed to be fitted /removed after the WC/bidet is installed. The Tavistock Vortex cistern is recommended to fit Match furniture.

A normal installation of a WC would be as follows:

1. Remove the top fascia by firmly pulling it towards you.
2. Remove main access panel by firmly sliding it upwards.
3. Fit the unit according to the instructions.
4. Fit WC and cistern according to manufacturer's instructions - check carefully for leaks.
5. Cut a suitable slot in the main access panel to allow for the soil pipe.

Note: Cut this slot as wide as possible to make the refitting of the main access panel easier.

6. Re-fit fascia.
7. Drill a suitable diameter hole in the fascia for the cistern operating button.
8. Install according to manufacturer's instructions.



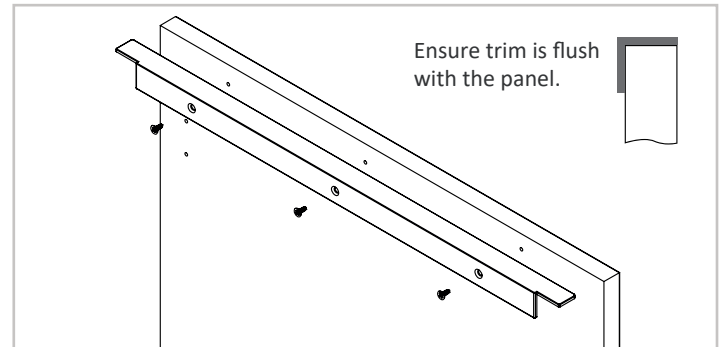
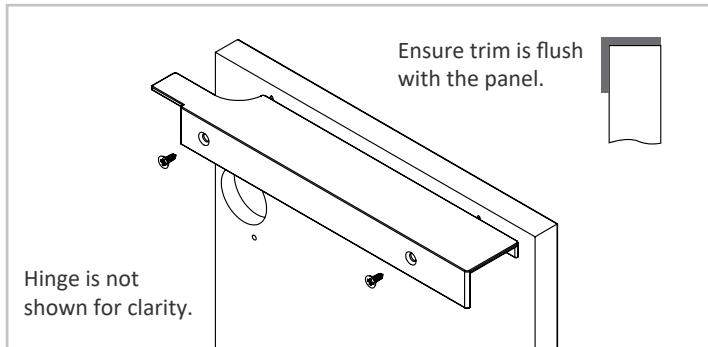
The installation of a bidet is identical, except there is no requirement for a cistern & operating button.

MAT10R.X, MAT10L.X, MAT12R.X, MAT12L.X

TAVISTOCK

MATCH 1000MM & 1200MM RUN LEFT & RIGHT

INSTALLING HANDLES AND TRIM



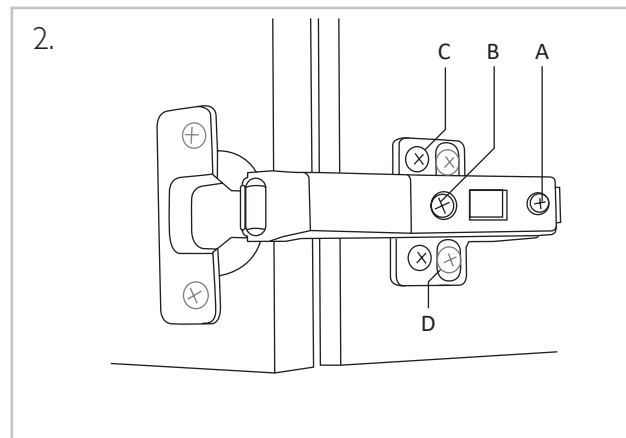
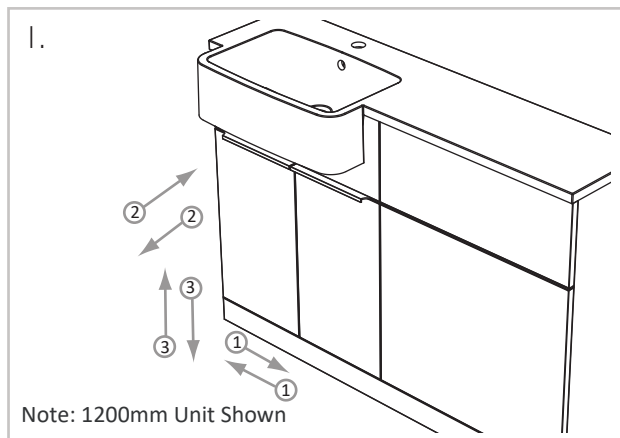
Remove the door from its fixings, by using the quick release mechanism on the hinges.

Remove the main access panel from its fixings, by firmly sliding it upwards.

Install the trim using the pilot holes and 2 screws (provided). Ensure the trim is installed centrally and flush with the top of the panel.

Install the trim using the pilot holes and 3 screws (provided). Ensure the trim is installed centrally and flush with the top of the panel.

DOOR ADJUSTMENT



1. To make adjustment 1 tighten/loosen adjustment B.
2. To make adjustment 2 simply turn screw A.
3. To make adjustment 3 unscrew screw C. Loosen screw D, and make the adjustment. Re-tighten screw D and re-insert screw C.

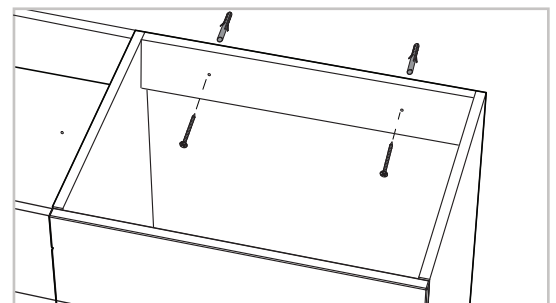
FIXING TO THE WALL

WARNING: in order to prevent overturning this product must be used with the wall attachment device provided.

It is recommended that the unit and basin are secured to a suitably reinforced wall to ensure stability.

The wall fixings supplied are intended to be used on a solid brick walls. Check suitability before continuing.

The unit is attached to wall through holes in back braces. Ensure both sections are fixed for a secure fit. Fixings are supplied.



MAT10R.X, MAT10L.X, MAT12R.X,
MAT12L.X

TAVISTOCK

MATCH 1000MM & 1200MM RUN LEFT & RIGHT

BASIN INSTALLATION

Once the basin has been test fitted and plumbed in, finish by securing the basin to the unit using a silicone sealant (not supplied).

Isocast Basin Care Instructions

On first fitting of the basin it will need to be cleaned after installation as there may be some manufacturing residue from the polishing process. The best way to do this is with a microfiber cloth and water, or white spirit. Other bathroom cleaning products can also be used as below.

The isocast basin is made of a non-porous material, as such it can be wiped clean with a damp cloth or sponge using mild detergents or soapy water.

Do not use abrasive cleaning solutions. Where possible avoid sliding hard or sharp objects on the surface to prevent scratches. Strong acids such as those found in drain cleaners, toilet cleaners, paint removers and cleaners containing methylene chloride or acetone (nail polish remover) should be used very cautiously around the isocast material. Should these products come in contact with the surface, quickly clean the surface with plenty of soapy water.

Any residue and spills from shampoo, toothpaste, etc, should be cleaned immediately with soapy water to ensure no damage occurs.

