

LANSDOWN 570X800MM MIRROR

INSTALLATION & AFTERCARE INSTRUCTIONS

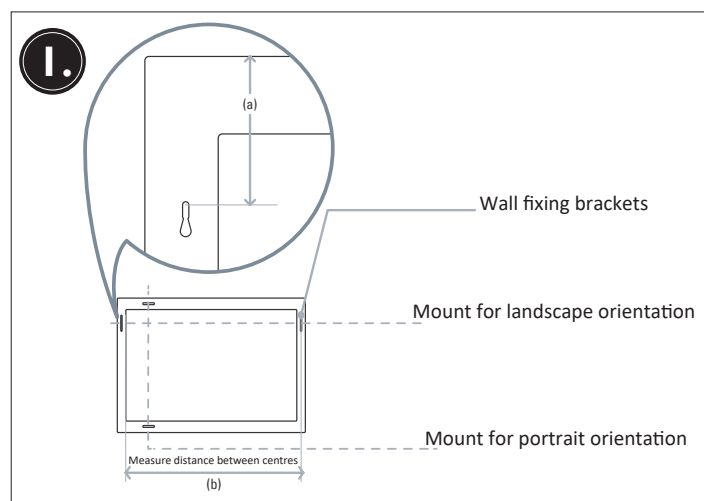
Before installation

Wall plugs supplied are only suitable for solid stone/brick walls. For plasterboard walls use specialist wall plugs, if in any doubt please consult an expert.

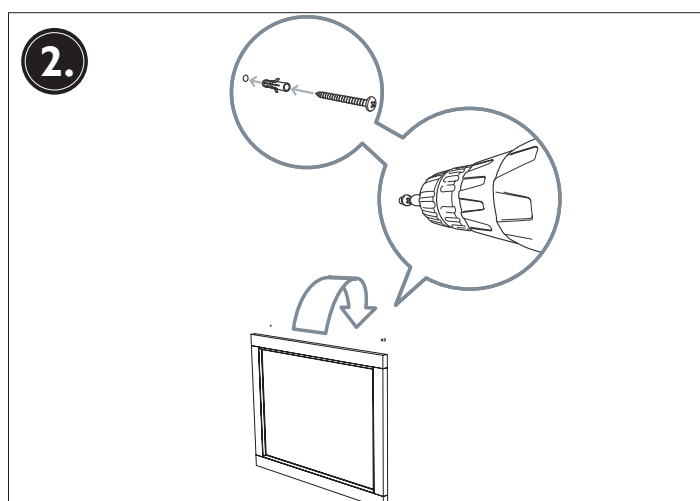
For wall hanging units: WARNING in order to prevent falling down this product must be used with the wall attachment device provided.

Wear suitable eye protection when drilling. Take care when using power tools near water - the use of residual current device (RDC) is recommended. Beware of hidden pipes or cables. Take care when drilling tiled surfaces as the drill might slip. Use a piece of masking tape to prevent the drill from wandering.

Installing



Determine the desired location and orientation of the mirror. Then measure up to where you desire the top of the mirror to be situated and minus distance (a), to find the final fixing heights. At this height use a level to mark two points a distance of (b) apart.



Drill two holes in the marked positions using an 8mm drill bit to a depth of 55mm. Insert the wall plug supplied in the fixing screw, leaving sufficient head showing to slide into the mirror wall brackets.

Furniture Care Instructions

As with all wooden furniture, this product should be treated with care.

We recommend...

Wipe away any water splashes or condensation after use. Excessive exposure to water will deteriorate the furniture.

All bathrooms should be well ventilated with a suitable extractor fan.

To remove dirt or fingerprints, clean with a soft damp cloth and mild soapy water. Ensure this is dried immediately.

Use a wax free polish if one must be used.

For removal of lime scale deposits use a suitable proprietary cleaner. If necessary test on an inconspicuous area first.

Please DO NOT...

Do not scrub or scour.

Do not use abrasive cleaning agents.

Aftercare

Should you require any fitting advice or spare parts for this product please contact Tavistock Bathrooms using the contact details below.