

PRODUCT DATA SHEET

Burlington[®]



PRODUCT CODE

GU8500DVW_FS

RANGE

Guild

DESCRIPTION

Guild Floor Standing Vanity 850mm
Varley White c/w handles

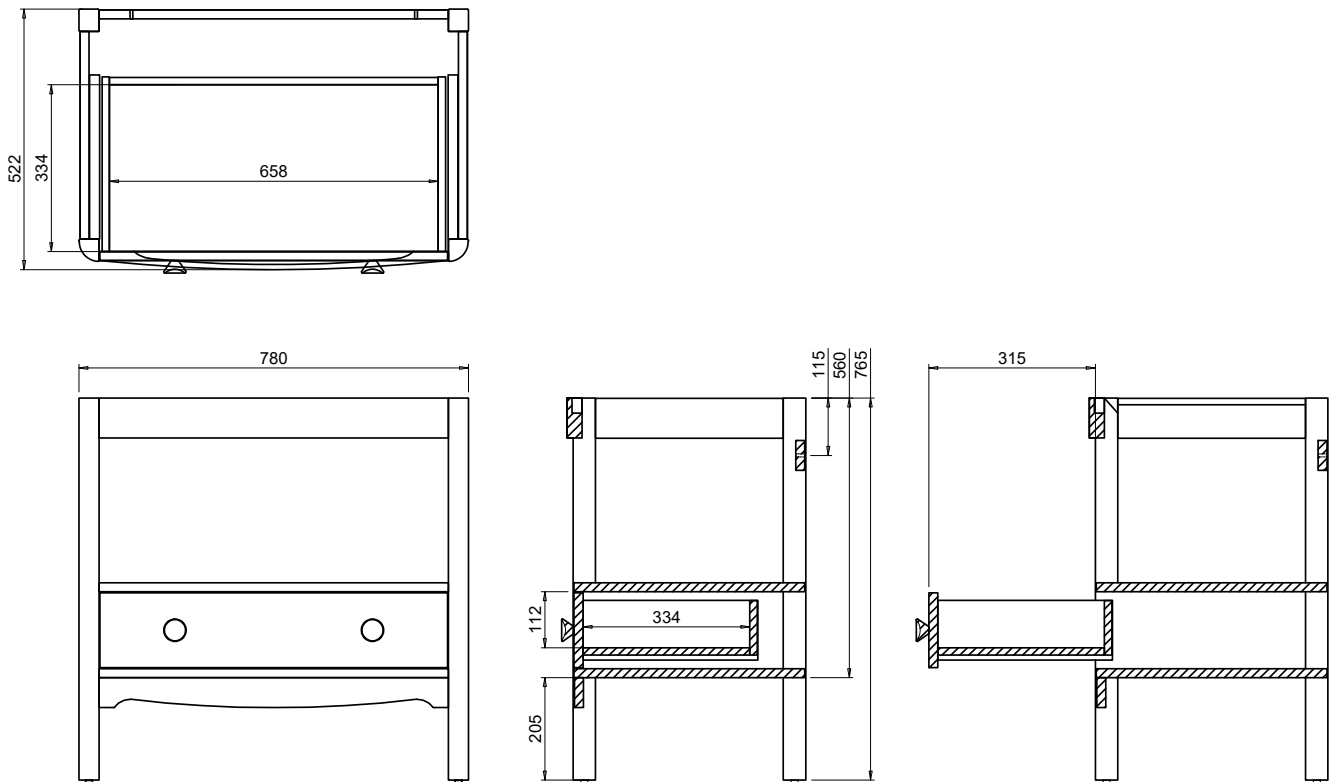
| | |
|-----------------------|----------------|
| CATEGORY | Furniture |
| WARRANTY DETAILS | 10 Years |
| COLOUR | Varley White |
| FINISH APPLICATION | Lacquered |
| PRIMARY MATERIAL | MDF |
| INSTALL TYPE | Floor Standing |
| PRODUCT WIDTH MM | 780 |
| PRODUCT HEIGHT MM | 765 |
| PRODUCT DEPTH MM | 522 |
| PRODUCT NET WEIGHT KG | 31.5 |
| STANDARDS | EN14749:2016 |

| | |
|-------------------|------------------|
| DRAWER BOX | MDF |
| DRAWER RUNNERS | DTC / SS10C350H1 |
| DRAWER EXTENSION | Full extension |
| DRAWER ADJUSTMENT | 2 way adjustment |
| WALL HANGERS | No |
| ADJUSTABLE FEET | Yes |
| DRAWER CAPACITY | 15 kgs |
| DRAWER OPERATION | Soft close |

TECHNICAL DIMENSIONS

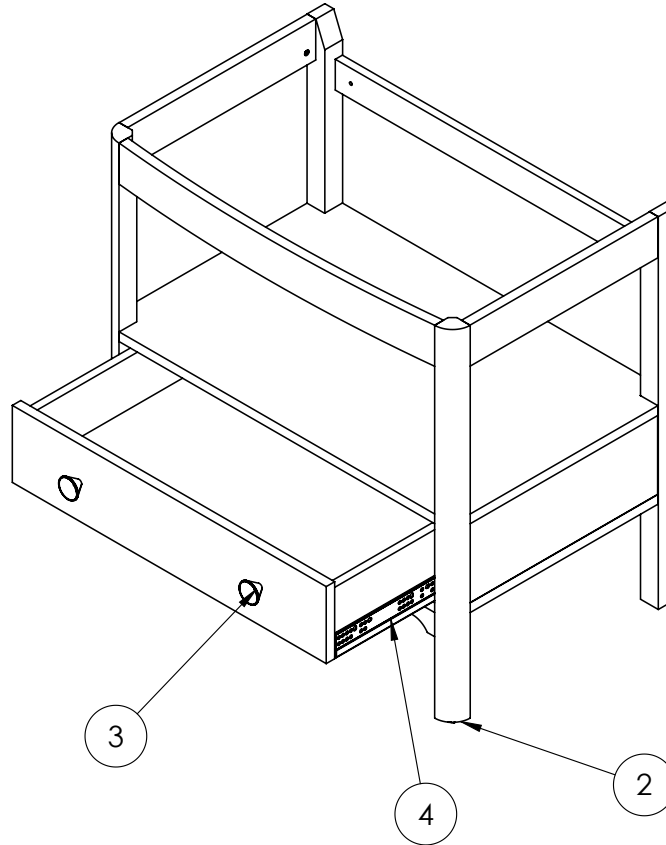
Dimensions in mm unless otherwise specified.

Tolerances (per material type) apply.



SPARES LIST

Only the parts labelled are available as spares.



| NUMBER | PART CODE | DESCRIPTION |
|--------|--------------|---|
| 1 | SP1785 | Guild Fixing pack for floor standing vanity GU5600D,GU6500D,GU8500D |
| 2 | SP1788 | Guild Bottom feet for floor standing vanity GU5600D,GU6500D,GU8500D |
| 3 | SP1789 | Guild Handle pair for floor standing vanity GU5600D,GU6500D,GU8500D Varley White DN45mm |
| | SP1790 | Guild Handle pair for floor standing vanity GU5600D,GU6500D,GU8500D Carlyle Green DN45mm |
| | SP1791 | Guild Handle pair for floor standing vanity GU5600D,GU6500D,GU8500D Ashbee Grey DN45mm |
| 4 | RUNNERSGUILD | Guild runners x 1 KIT Left & Right |