

# PRODUCT DATA SHEET

*Burlington*<sup>®</sup>



## PRODUCT CODE

GU6105VW

## RANGE

Guild

## DESCRIPTION

Guild Soft Close Toilet Seat Varley White

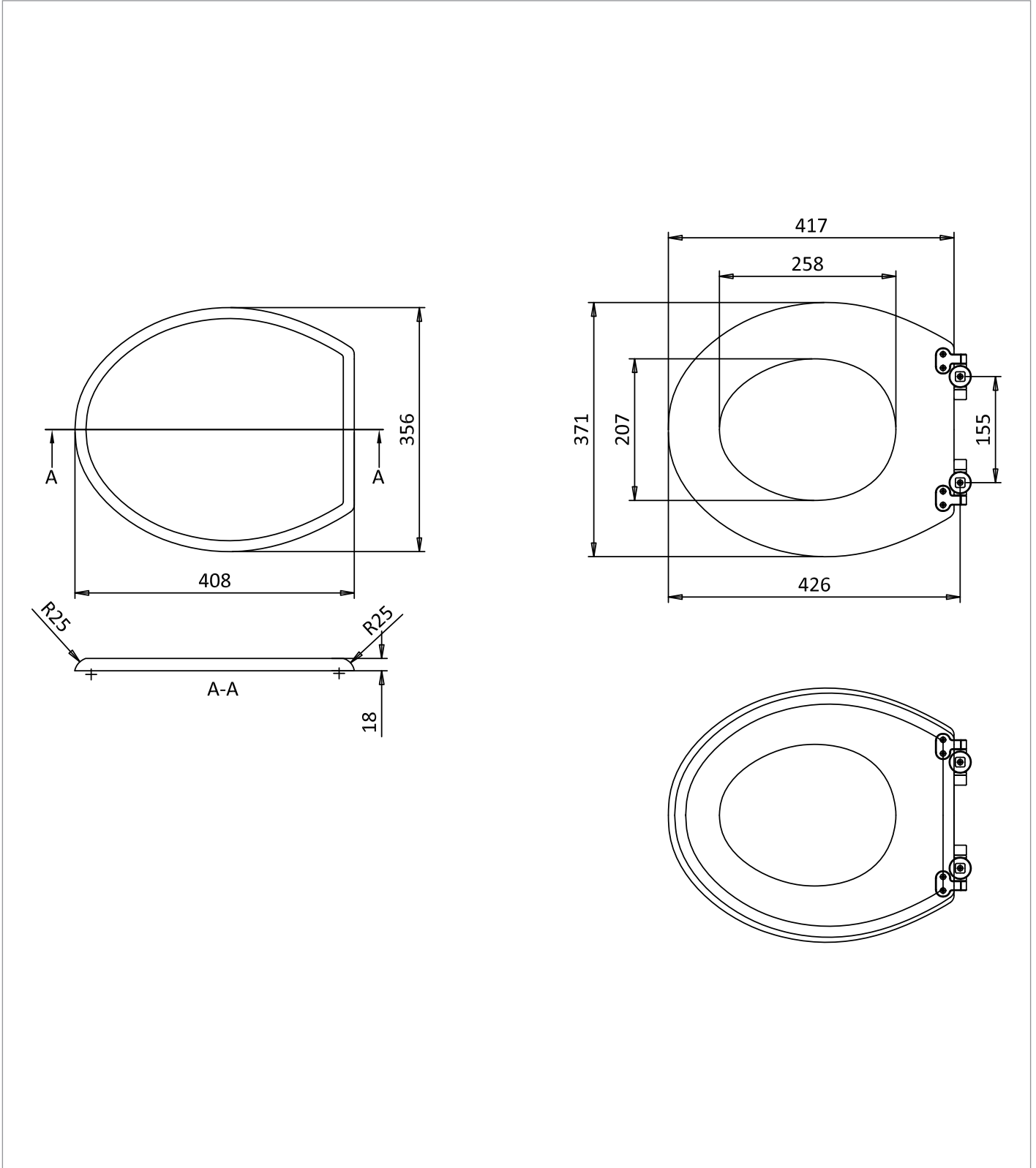
CATEGORY	Sanitaryware
WARRANTY DETAILS	2 Years
COLOUR	Varley White
FINISH APPLICATION	Lacquered
PRIMARY MATERIAL	MDF
INSTALL TYPE	Toilet Mounted
PRODUCT WIDTH MM	426
PRODUCT HEIGHT MM	18
PRODUCT DEPTH MM	371
PRODUCT NET WEIGHT KG	3.33

FIXINGS INCLUDED	Yes
FIXING TYPE	Top fixing

## TECHNICAL DIMENSIONS

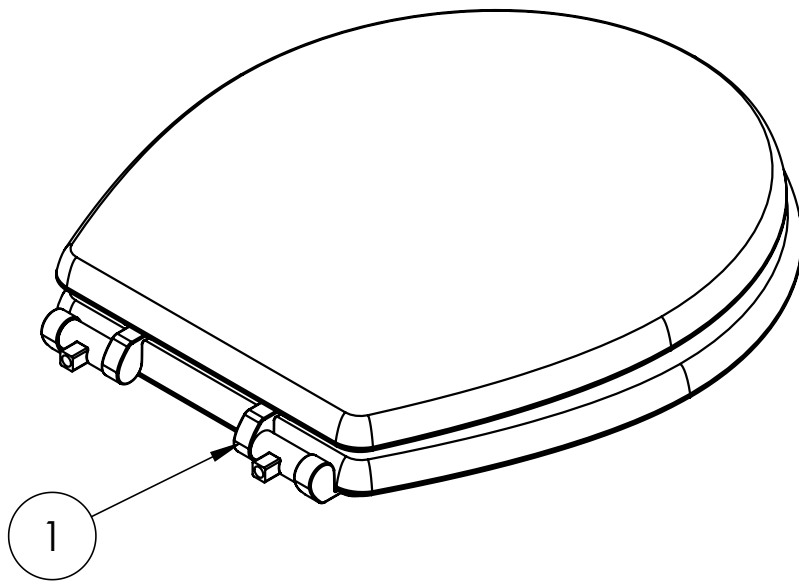
Dimensions in mm unless otherwise specified.

Tolerances (per material type) apply.



## SPARES LIST

Only the parts labelled are available as spares.



NUMBER	PART CODE	DESCRIPTION
1	SP1805	Guild Seat Hinges with top fixings Chrome