

PRODUCT DATA SHEET

Burlington[®]



PRODUCT CODE

GU45X77G

RANGE

Guild

DESCRIPTION

Guild Basin Stand 450mm Gold

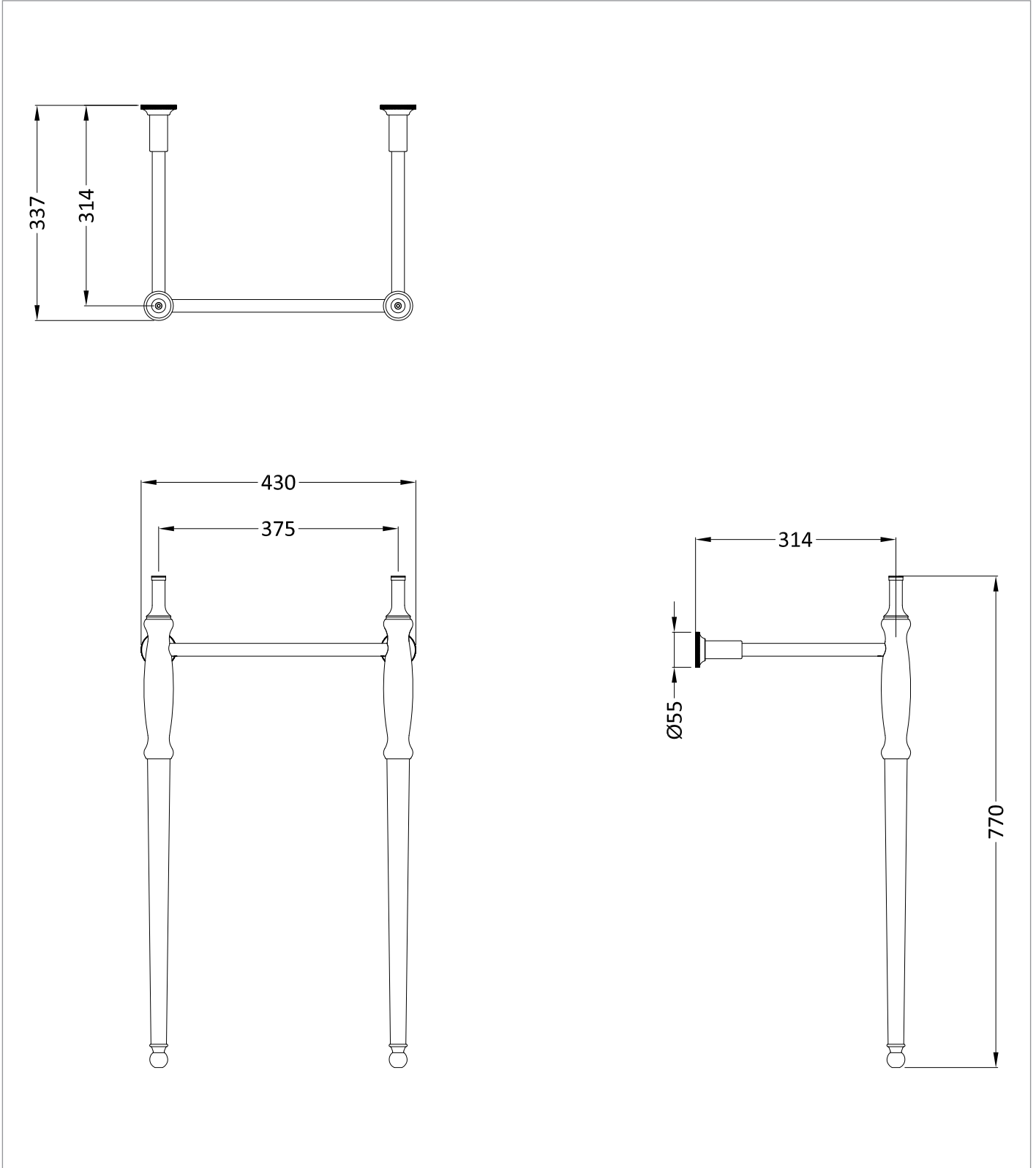
CATEGORY	Sanitaryware
WARRANTY DETAILS	15 Years
COLOUR	Gold
FINISH APPLICATION	PVD
PRIMARY MATERIAL	Zinc Alloy
INSTALL TYPE	Wall Mounted
PRODUCT WIDTH MM	430
PRODUCT HEIGHT MM	770
PRODUCT DEPTH MM	337
PRODUCT NET WEIGHT KG	4.71
STANDARDS	ISO9001

FIXINGS INCLUDED	Yes
------------------	-----

TECHNICAL DIMENSIONS

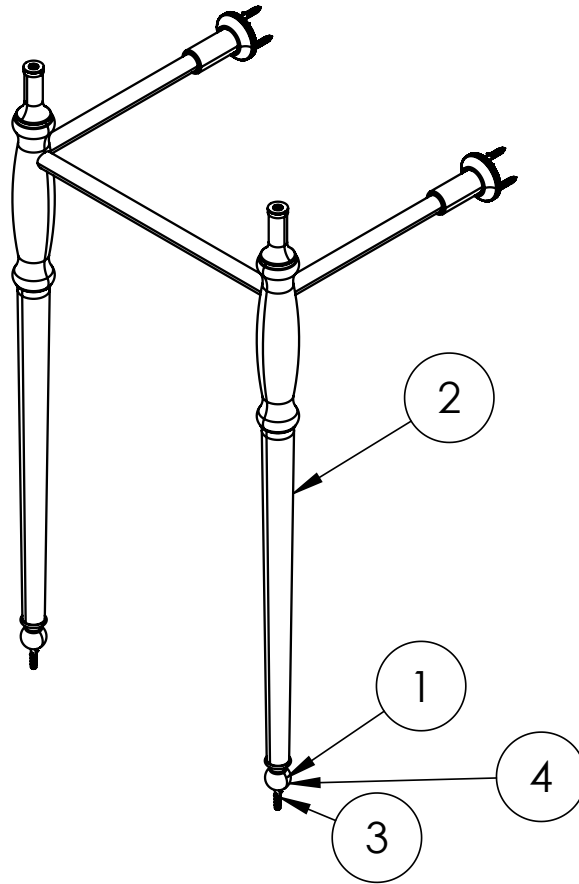
Dimensions in mm unless otherwise specified.

Tolerances (per material type) apply.



SPARES LIST

Only the parts labelled are available as spares.



NUMBER	PART CODE	DESCRIPTION
1	SP1809	Guild Foot For Basin Stands Piece In Gold
	SP1808	Guild Foot For Basin Stands Piece In Brushed Nickel
	SP1807	Guild Foot For Basin Stands Piece In Chrome
2	SP1812	Guild Leg For Basin Stands Piece In Gold
	SP1811	Guild Leg For Basin Stands Piece In Brushed Nickel
	SP1810	Guild Leg For Basin Stands Piece In Chrome
3	SP843GOLD	Guild Adjustable Screw Of Basin Stands Piece In Gold
4	SP1806	Guild Floor Fixing Basin Stands Set