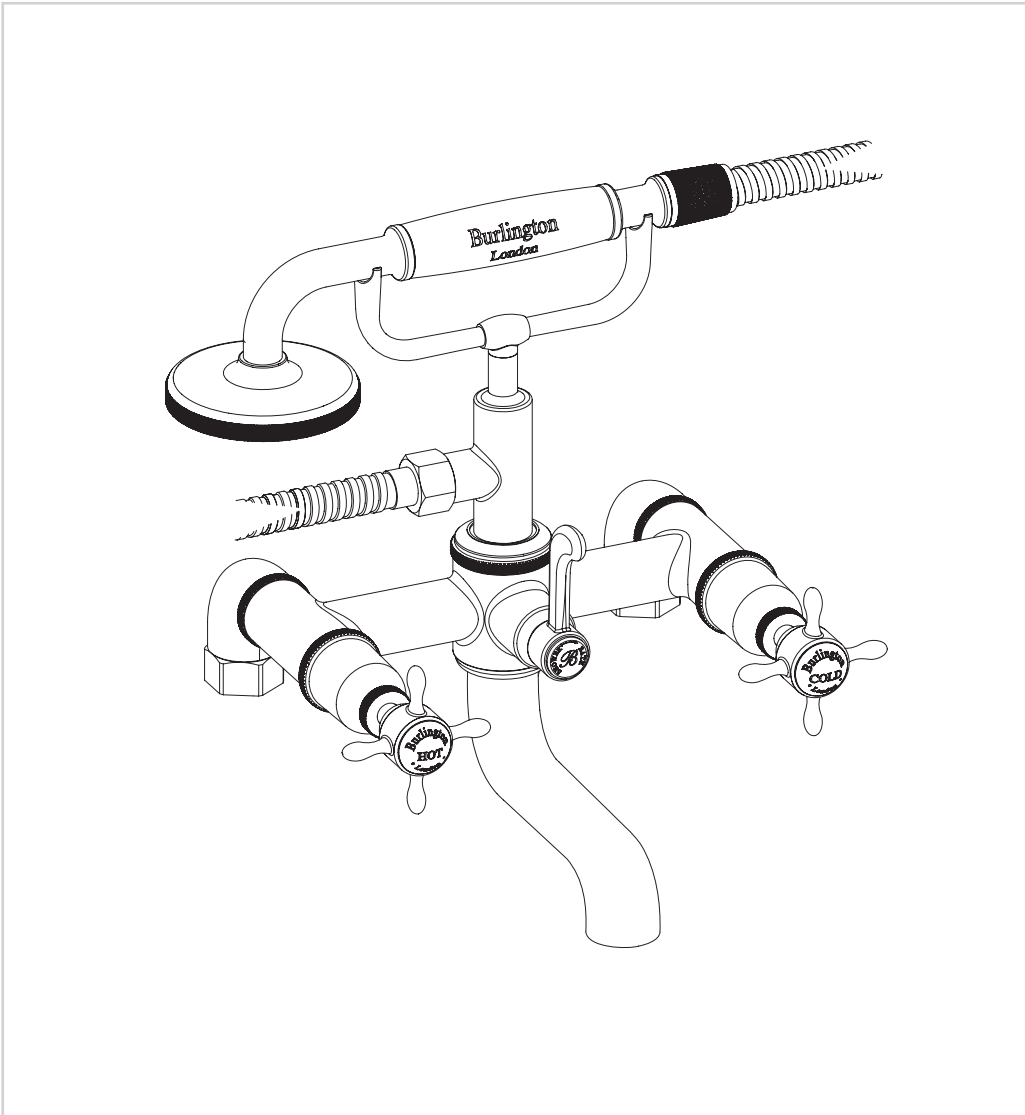


GUILD

Bath Shower Mixer Deck Mounted

Burlington®



PRODUCT CODES:

GU422D

i

IMPORTANT INFORMATION BEFORE YOU START

Please read carefully and keep this information for further reference.

All products manufactured and supplied by Burlington are safe provided they are installed, used correctly and receive regular maintenance in accordance with these instructions. If you are in any doubt about your ability to install this product safely you must employ the services of an experienced qualified plumber.

These fittings need to be installed in accordance with, and meet the requirements of the Water Supply (Water Fittings) Regulations 1999 and Scottish Byelaws 2004.

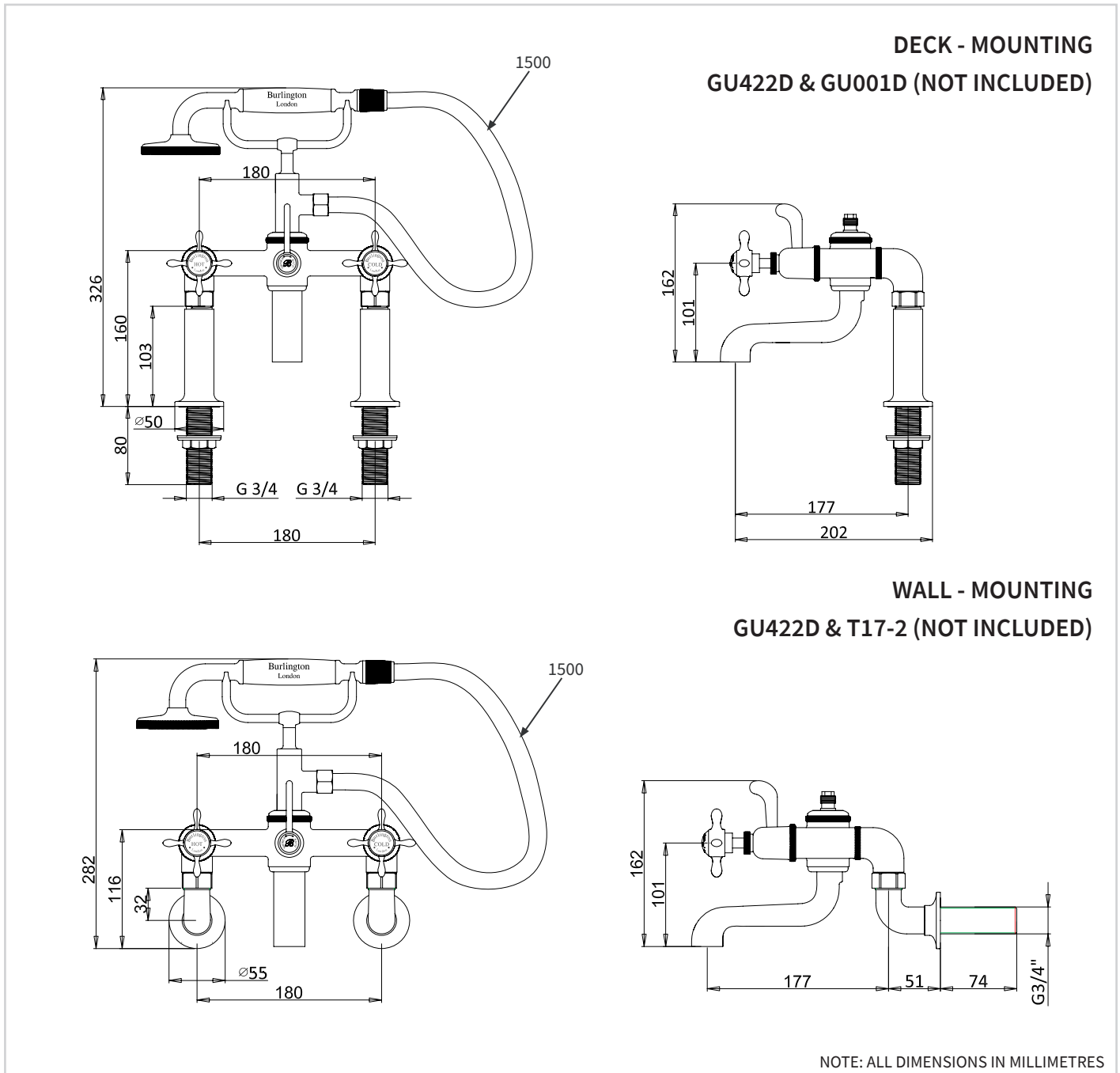
Operating pressure range: Minimum 0.3 bar, Maximum 5.0 bar.
Maximum static pressure: 10.0 bar.

Note: Nominally equal (balanced) inlet supply pressures are recommended for optimum performance with mixer taps.

Designed to comply with BS EN 817 for single hole mixers, for water systems of type 2 general technical specifications and to be used within systems designed to BS 6700. BS 6700 recommends the temperature of stored water should never exceed 65°C.

A stored water temperature of 60°C is considered sufficient to meet all normal requirements and will minimise the build up of lime scale in hard water areas. If the fitting is installed at low pressure (tank fed), then the minimum distance from the highest installed position of the outlet to the underside of the cold tank should be at least 2 metres to ensure adequate performance.

DIMENSIONS



IMPORTANT INFORMATION

Please read carefully and keep this information for further reference.

These taps and mixers should be installed in compliance with the Water Regulations.

Where the supplies are unbalanced, i.e. Hot water from cylinder tank / cold from the mains, approved check valves must be fitted in the supply pipes.

For further details contact your Local Water Authority.

BEFORE YOU START

Important Pre-Installation Notes

Remove all packaging and check the fitting for damage before starting installation.

Warning: Before starting any installation please consider the following: before drilling into walls, check that there are no hidden electrical wires, cables or water supply pipes. This can be checked with the aid of an electronic detector.

If power tools are used do not forget to: -

Wear eye protection

Unplug equipment after use

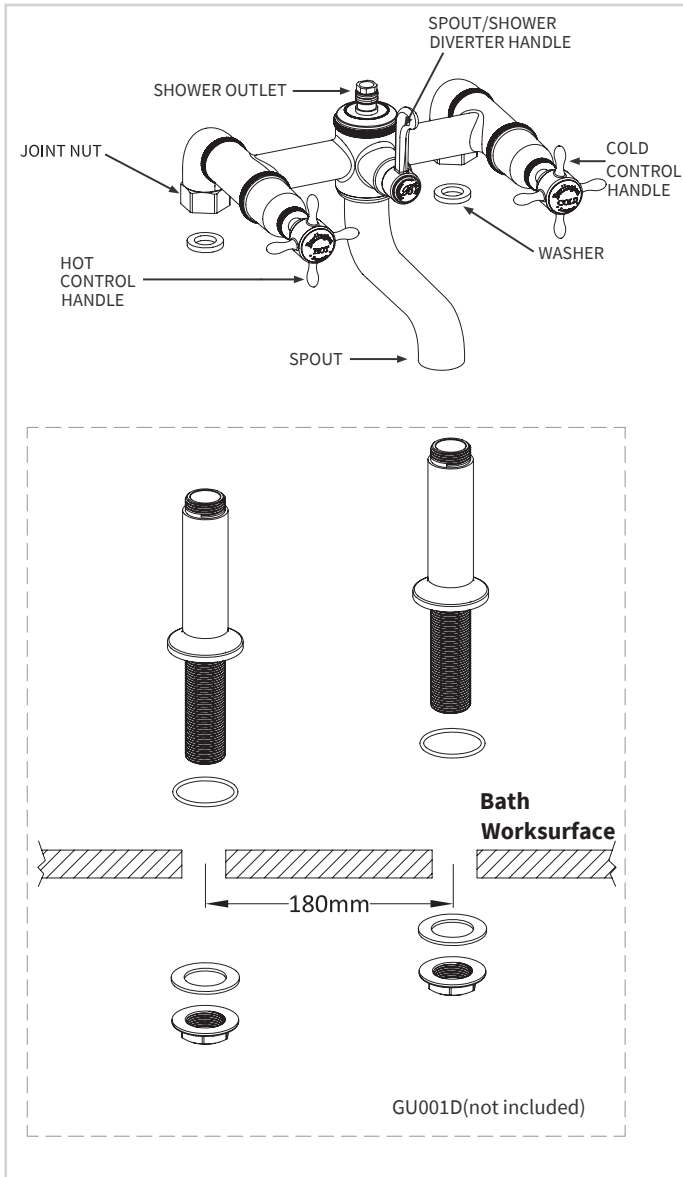
Important:

Remember to turn off the mains water supply before connecting to any existing pipe work. Fitting isolating valves to the inlet feeds is recommended for ease of maintenance.

Warning: Before installing the new fitting it is essential that you thoroughly flush through the pipework in order to remove any remaining swarf, solder, etc. Failure to carry out this procedure could cause problems or damage to the workings of the fitting.

Take care when handling the 'flexible connecting pipes', do not bend, twist or crush them. Only tighten the pipes by hand. Do not crush or kink the shower hose, this could damage the hose and cause leaks.

INSTALLATION - DECK-MOUNTED



Important: The tap needs to be used with GU001D Guild 3/4 Deck Unions.

If you are installing the bath shower mixer on the bath, you need install the GU001D (not included in the mixer box) on the bath first.

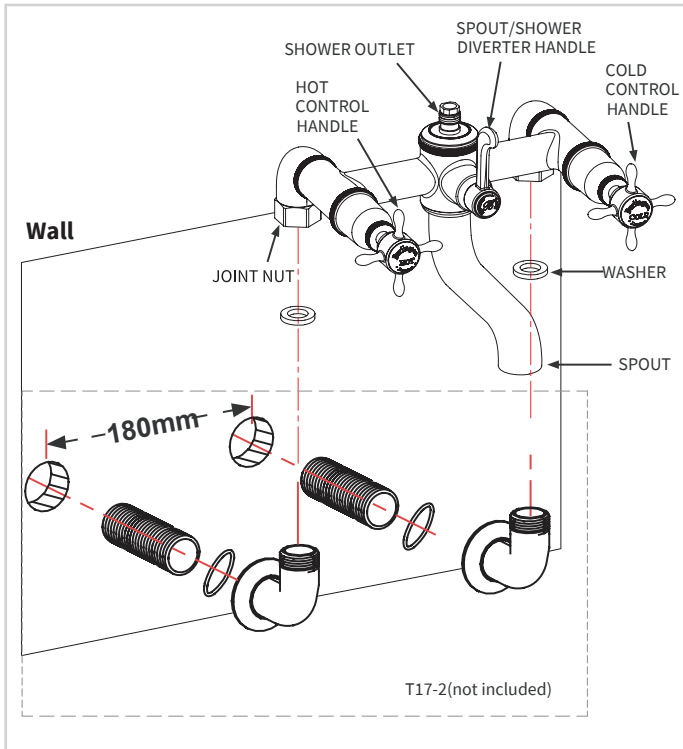
Install deck unions:

- Remove the rubber washers and fixing nuts from the tails of deck unions.
- Insert the tails in two tap holes on bath.
- Fit the rubber washer and the fixing nut from the underside of the bath. Do not over tighten. Fit and tighten the Bath Shower Mixer on joint nut and connections to the deck unions. Connect to the hot and cold water supplies using suitable plumbing joints. Turn on the hot, cold and mains water supply. Check for leaks immediately. It is always advisable at this stage to flush out the system. To do this, open both valves fully and allow water to flow for approximately 1 minute. This will remove any foreign matter within the installation.

ATTENTION

Having first checked all new connections, turn on the mains stop cock, close all taps except the new mixer and as the system starts to refill check for leaks. Once you have satisfied yourself that there are no leaks, switch on the water heating.

INSTALLATION - WALL-MOUNTED



Important: The tap needs to be used with T17-2 wall unions.

If you are installing the bath shower mixer on the wall, you need install the T17-2 (not included in the mixer box) on the wall first.

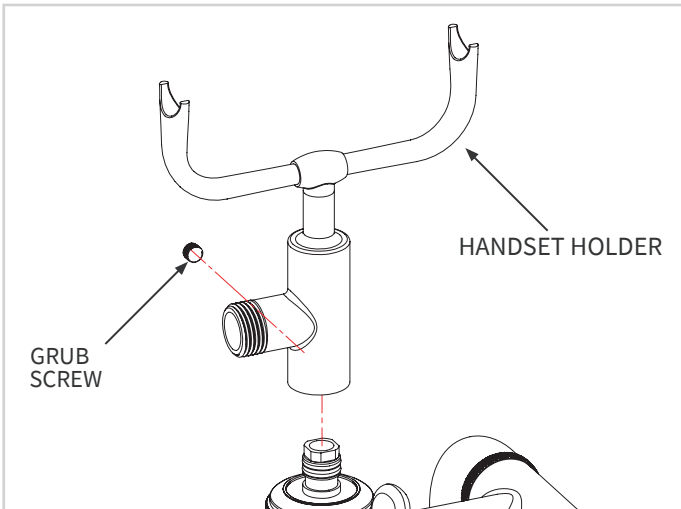
Install wall unions:

- On the wall Drill at 2 X 28mm diameter holes at 180mm centres.
- Unscrew both tails from the wall unions elbows.
- Smear or wind a suitable sealing material round the tail and then insert the tails into the holes on the wall. The fibre washer (not supplied) may be inserted between the tail and the wall or tile surface to protect it.
- Connect the water supplier pipes to both tails. From a front view, hot water on the left and cold water on the right.
- Tighten the elbow part back with tails again. And make sure the outlets are upward and at 180mm centres.
- It is possible to use a G3/4 fixing nut(not supplied) to secure the wall mounting unions if they reach through a wall and the supply can then terminate in a swivel or flexible coupling. Fit and tighten the bath shower mixer on joint nut and connect to the wall unions.

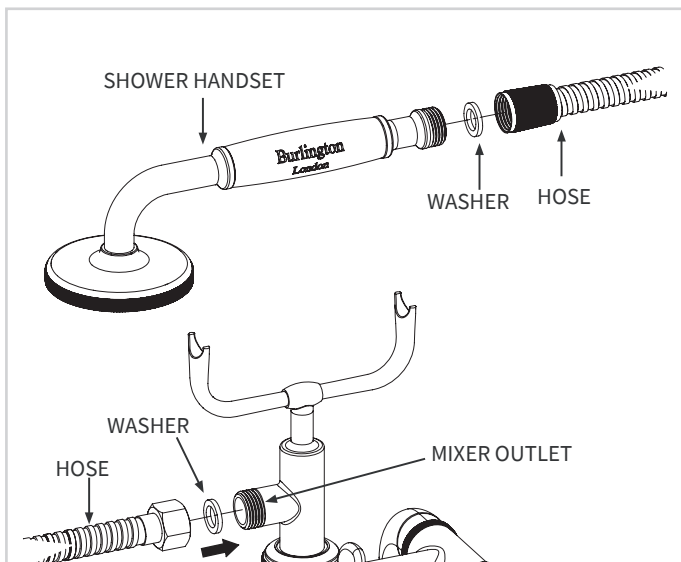
ATTENTION

Having first checked all new connections, turn on the mains stop cock, close all taps except the new mixer and as the system starts to refill check for leaks. Once you have satisfied yourself that there are no leaks, switch on the water heating.

INSTALLATION - SHOWER HANDSET HOLDER



Loosen the grub screw on the handset holder by using the allen key and insert the bath shower mixer connector into the handset holder, then tight the grub screw back to the holder.



Insert a washer into the nut end of hose and tighten it to the mixer outlet. Insert another washer into the cone end of hose and tight it with shower handset.

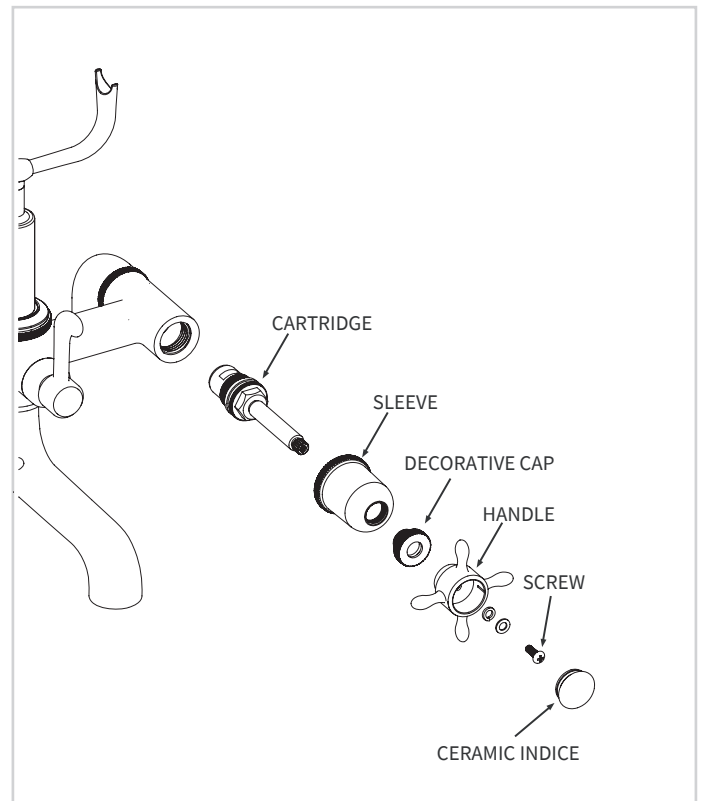
CARE & MAINTENANCE

CLEANING THE CARTRIDGE

The concealed cartridge should give trouble free service, but in the event of any problems, servicing is straight forward.

To remove the cartridge:

Isolate the hot and cold water supply. Pick off the ceramic indice and loosen the screw, pull off the handle and decorative cap, unscrew the sleeve. Unscrew the cartridge taking note of its orientation. Wash the cartridge with clean running water and make sure that any trapped debris has been removed. Dry and lightly grease the seal (only use silicone grease) and replace the cartridge followed by the sleeve, decorative cap, handle and ceramic indice.



CLEANING THE PRODUCT

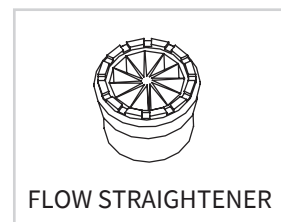
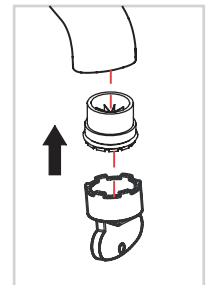
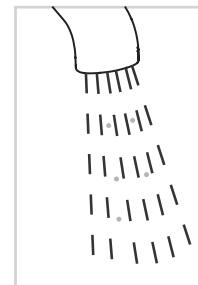
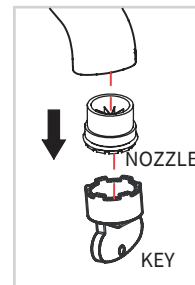
The material we use in our taps is very durable, nevertheless care should be taken when cleaning them. They should be cleaned only with warm soapy water followed by rinsing with clean water and drying with a soft cloth. All finishes are vulnerable to acid attack and some strong substances such as household cleaners, disinfectants, denture cleaners, hair dyes, wine making, and photographic chemicals can cause the surface to go black or peel.

Note: Never use abrasive detergents or disinfectants or those containing alcohol, hydrochloric acid or phosphoric acid.

CLEANING THE AERATOR

Before use: Unscrew the flow straightener/aerator and allow the water to run freely until all debris is removed. Screw the flow straightener/aerator back into the spout once all impurities have been flushed from the water supply.

Periodically: Using the key provided in the box, unscrew the flow straightener/aerator from the spout and rinse with clean running water. Once all loose debris and dirt has been cleared, replace the flow straightener/aerator into the spout and tighten with the key provided.



NOZZLE ALTERNATIVE OPTION

The tap comes with a factory-fitted flow straightener for low pressure water systems. If the water flow is high, replace the factory-fitted flow straightener with the high pressure aerator supplied.

Use NEOPERL Key to unscrew the straightener in the Nozzle. Replace with the aerator provided, and screw back in nozzle tightly. (If you misplace the Neoperl key you can use the top of the aerator/straightener as a key).