

PRODUCT CODES:

GU002F



IMPORTANT INFORMATION BEFORE YOU START

Please read carefully and keep this information for further reference.

All products manufactured and supplied by Burlington are safe provided they are installed, used correctly and receive regular maintenance in accordance with these instructions. If you are in any doubt about your ability to install this product safely you must employ the services of an experienced qualified plumber.

These fittings need to be installed in accordance with, and meet the requirements of the Water Supply (Water Fittings) Regulations 1999 and Scottish Byelaws 2004.

Operating pressure range: Minimum 0.3 bar, Maximum 5.0 bar.

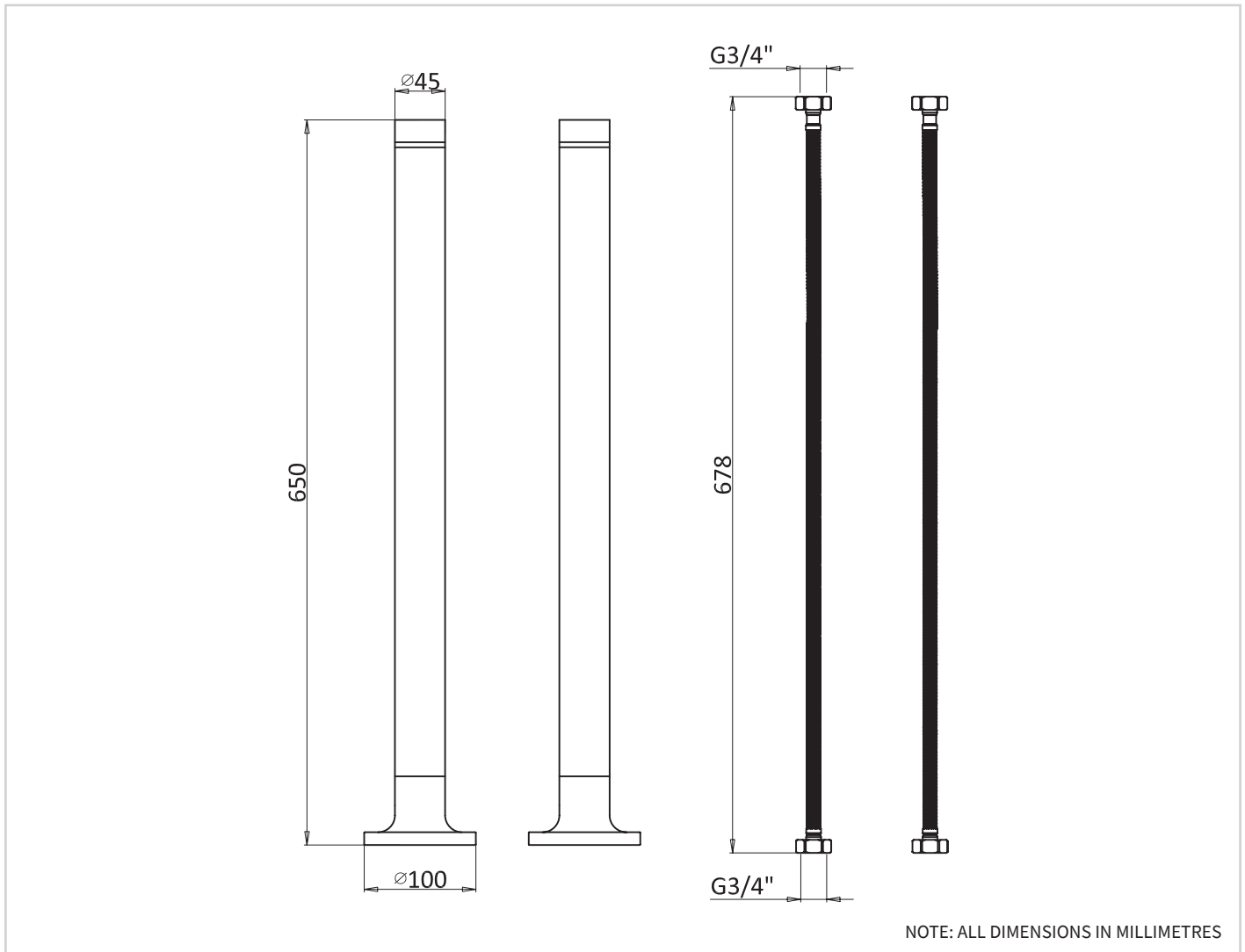
Maximum static pressure: 10.0 bar.

Note: Nominally equal (balanced) inlet supply pressures are recommended for optimum performance with mixer taps.

Designed to comply with BS EN 817 for single hole mixers, for water systems of type 2 general technical specifications and to be used within systems designed to BS 6700. BS 6700 recommends the temperature of stored water should never exceed 65°C.

A stored water temperature of 60°C is considered sufficient to meet all normal requirements and will minimise the build up of lime scale in hard water areas. If the fitting is installed at low pressure (tank fed), then the minimum distance from the highest installed position of the outlet to the underside of the cold tank should be at least 2 metres to ensure adequate performance.

DIMENSIONS



IMPORTANT INFORMATION

Please read carefully and keep this information for further reference.

These taps and mixers should be installed in compliance with the Water Regulations.

Where the supplies are unbalanced, i.e. Hot water from cylinder tank / cold from the mains, approved check valves must be fitted in the supply pipes.

For further details contact your Local Water Authority.

BEFORE YOU START

Important Pre-Installation Notes

Remove all packaging and check the fitting for damage before starting installation.

Warning: Before starting any installation please consider the following: before drilling into walls, check that there are no hidden electrical wires, cables or water supply pipes. This can be checked with the aid of an electronic detector.

If power tools are used do not forget to: -

Wear eye protection

Unplug equipment after use

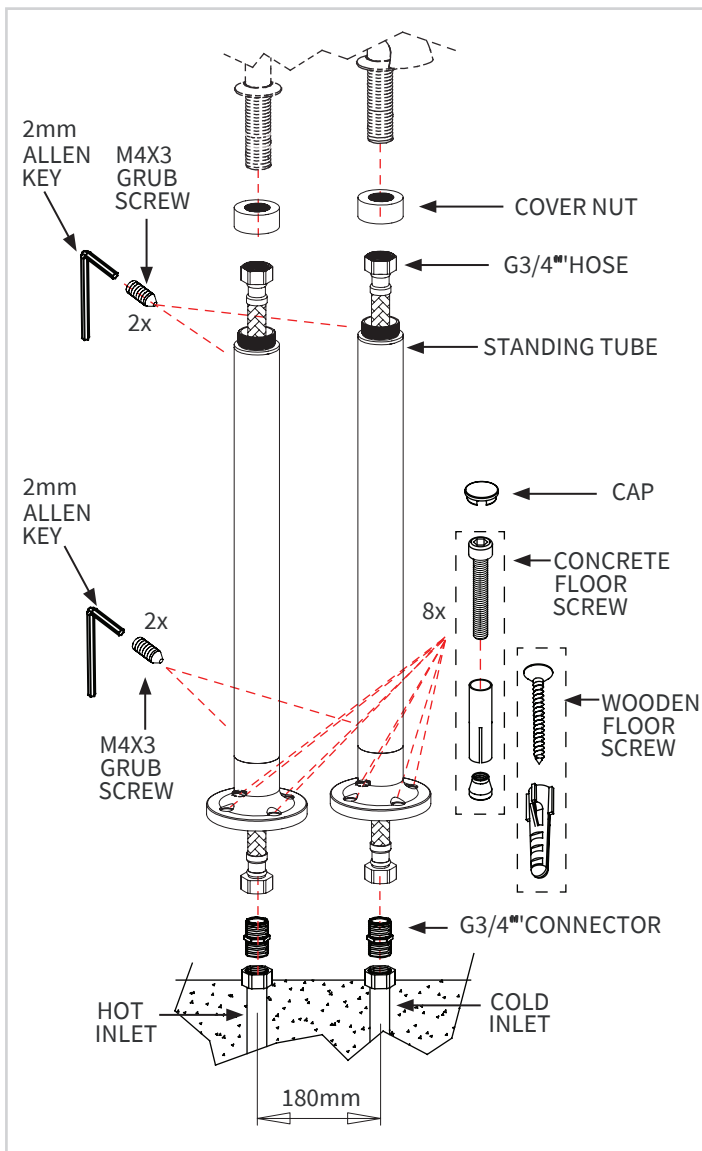
Important:

Remember to turn off the mains water supply before connecting to any existing pipe work. Fitting isolating valves to the inlet feeds is recommended for ease of maintenance.

Warning: Before installing the new fitting it is essential that you thoroughly flush through the pipework in order to remove any remaining swarf, solder, etc. Failure to carry out this procedure could cause problems or damage to the workings of the fitting.

Take care when handling the 'flexible connecting pipes', do not bend, twist or crush them. Only tighten the pipes by hand. Do not crush or kink the shower hose, this could damage the hose and cause leaks.

INSTALLATION



1. Prior to installation, please flush the water system to ensure that no metal swarf, solder and other impurities can enter the product.
2. Turn off the water supply at the isolating valves if fitted or the main stop cock prior to commencing work.
3. Build up two water inlet pipes from the ground at 180mm centres. From the front view, hot water on the left and cold on the right.
4. Fix and tighten two G3/4 connectors onto the ends of the water inlet pipes. Note: Horizontal feed pipe under floor must have a degree of freedom to move up and down.
5. Place the shrouds over the water inlet pipes and mark on the floor the location of the fixing holes on the base plate. Drill and insert raw plugs where necessary.
6. Remove the washer and fixing nut supplied with the taps and discard them.
7. Remove the cover nuts from the shrouds by loosening the M4 x 3mm grub screws.
8. Screw the cover nuts and flexi-hoses onto the tap tails.
9. Slide the flexi-hoses through the shrouds and fix the cover nuts on place with the M4 x 3mm grub screws, ensuring that the taps are facing in the right direction.
10. Connect the flexi-hoses to the G3/4 connectors.
11. Push the shrouds down into position and secure to the floor with the fixings provided (2 types of fixings supplied one for brick/ breeze-block and the other for a wooden floor). Finally put on the caps.

ATTENTION

Having first checked all new connections, turn on the mains stop cock, close all taps except the new mixer and as the system starts to refill check for leaks. Once you have satisfied yourself that there are no leaks, switch on the water heating.

CARE & MAINTENANCE

The material we use in our brassware is very durable, nevertheless care should be taken when cleaning them. They should be cleaned only with warm soapy water followed by rinsing with clean water and drying with a soft cloth. All finishes are vulnerable to acid attack and some strong substances such as household cleaners, disinfectants, denture cleaners, hairdyes, wine making, and photographic chemicals can cause the surface to go black or peel.

Note: Never use abrasive detergents or disinfectants or those containing alcohol, hydrochloric acid or phosphoric acid.