

PRODUCT DATA SHEET

Burlington[®]



PRODUCT CODE

G10C

RANGE

Guild

DESCRIPTION

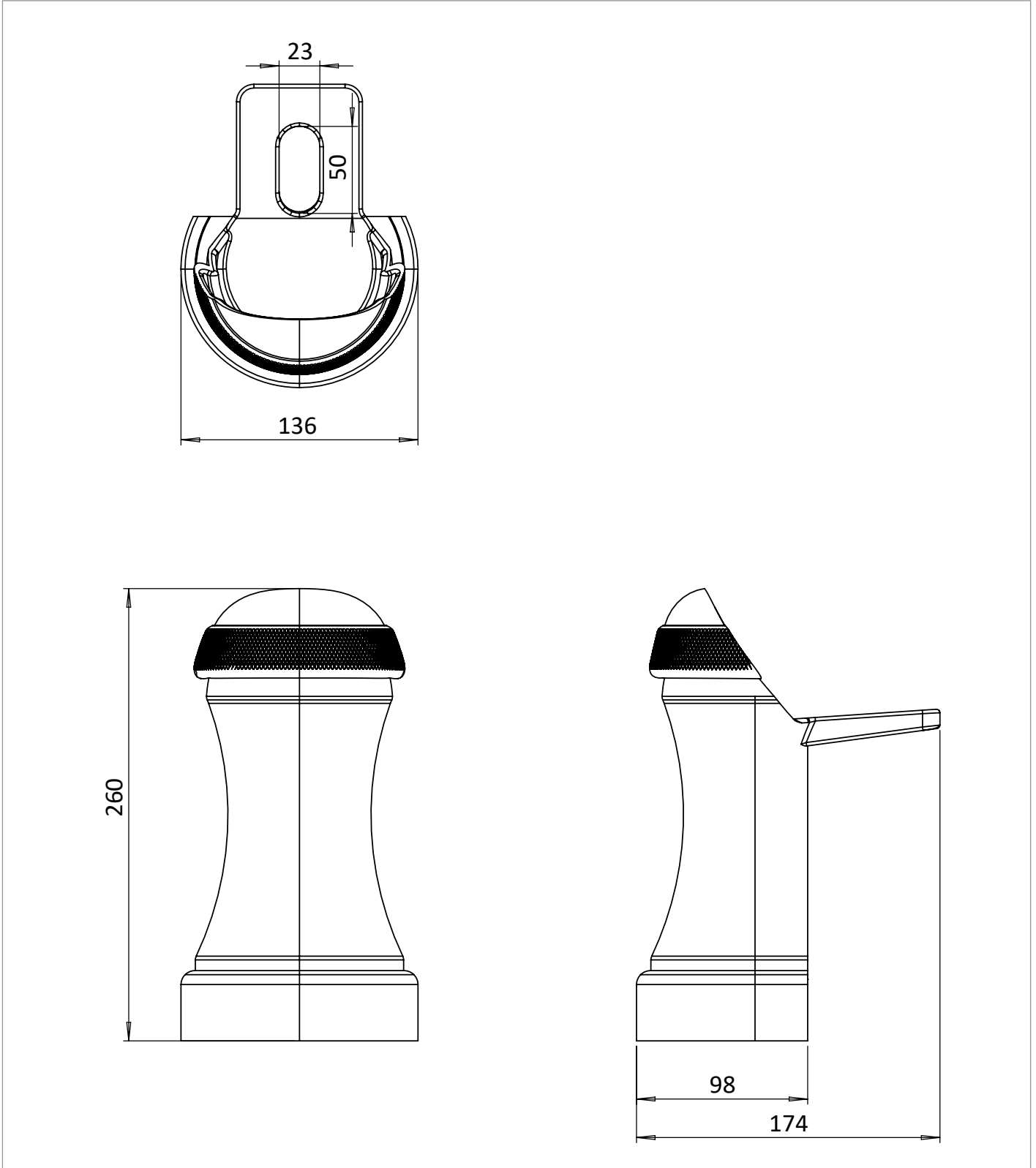
Guild Bath Leg Set Chrome

CATEGORY	Baths
WARRANTY DETAILS	2 Years
COLOUR	Chrome
FINISH APPLICATION	Electroplated
PRIMARY MATERIAL	Aluminum
INSTALL TYPE	Floor Standing
PRODUCT WIDTH MM	136
PRODUCT HEIGHT MM	260
PRODUCT LENGTH MM	174
PRODUCT NET WEIGHT KG	4.7

TECHNICAL DIMENSIONS

Dimensions in mm unless otherwise specified.

Tolerances (per material type) apply.



SPARES LIST

Only the parts labelled are available as spares.

SPARES AVAILABLE UPON REQUEST