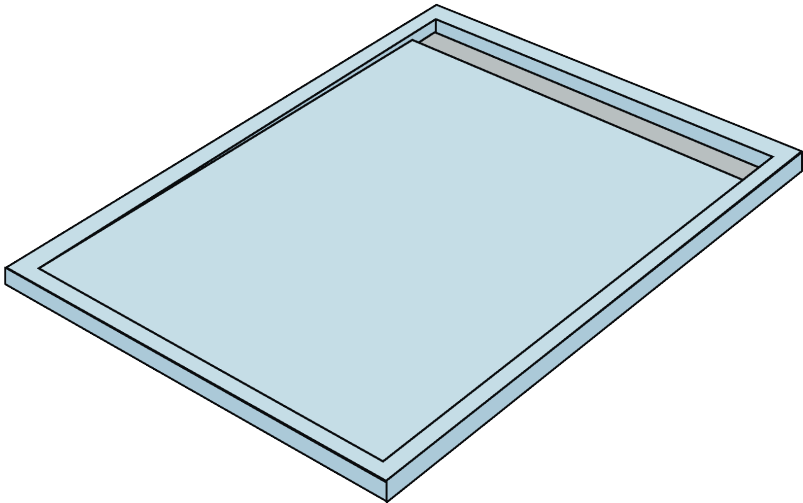




DZIGNSTONE®

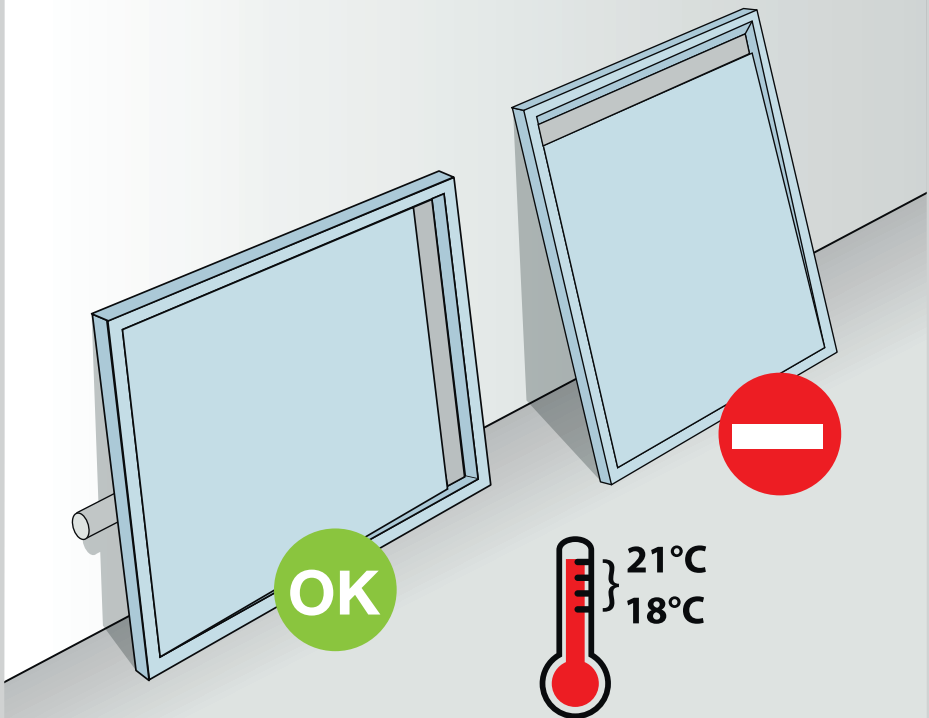
PREMIUM SOLID SURFACE

DOUCHEBAK SOLID LINEAR
RECEVEUR DE DOUCHE SOLID LINEAR
SOLID LINEAR SHOWER TRAY
DUSCHWANNE SOLID LINEAR

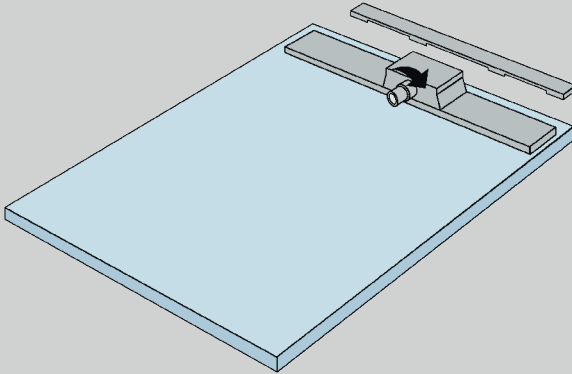


MONTAGEHANDLEIDING
INSTRUCTIONS D'INSTALLATION
INSTALLATION INSTRUCTIONS
INSTALLATIONSANLEITUNG

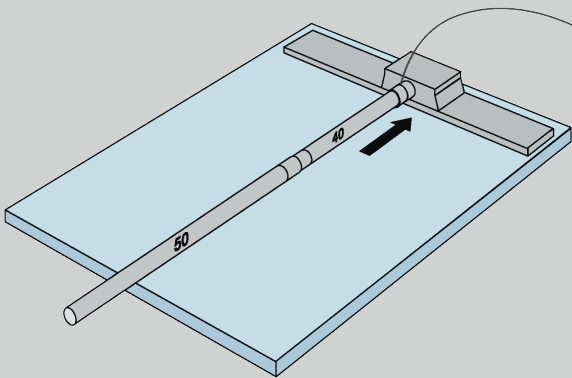
Controleer de doucheplaat voor plaatsing steeds op rechtheid, indien niet recht mag deze NIET ingebouwd worden! / *Vous devez toujours vérifier le receveur de douche avant de l'installer pour vous assurer qu'il est droit. Si ce n'est pas le cas, le receveur de douche ne peut en aucun cas être installé.* / Please check the shower tray for straightness before installation, if not straight DO NOT install product! / *Bevor Sie die Duschwanne installieren, sollten Sie überprüfen, ob sie gerade ist. Ist dies nicht der Fall, darf die Duschwanne auf keinen Fall montiert werden.*



1

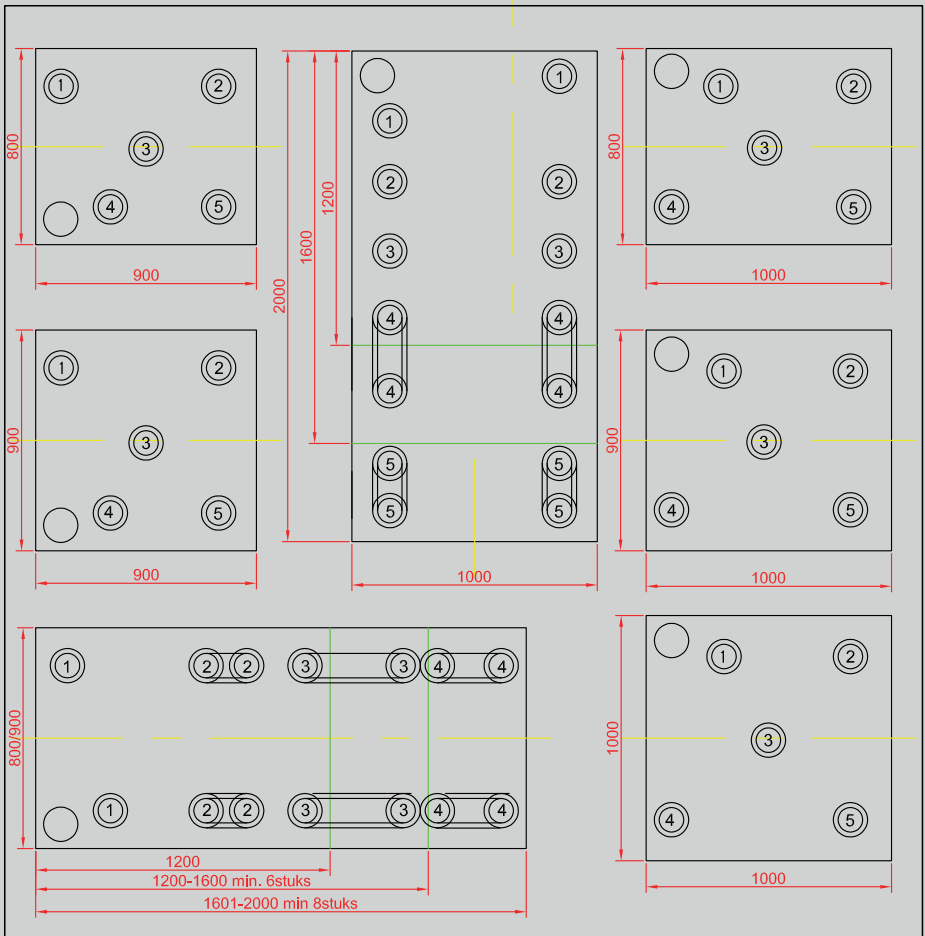
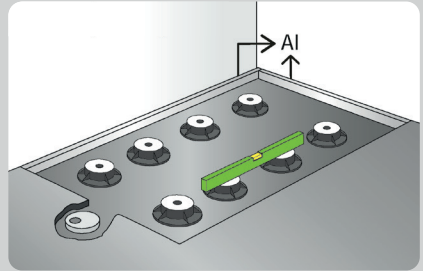


2

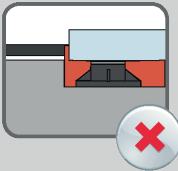
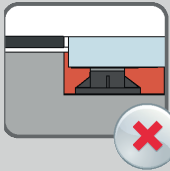
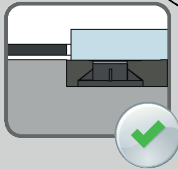
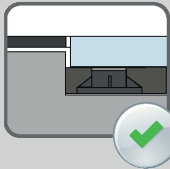
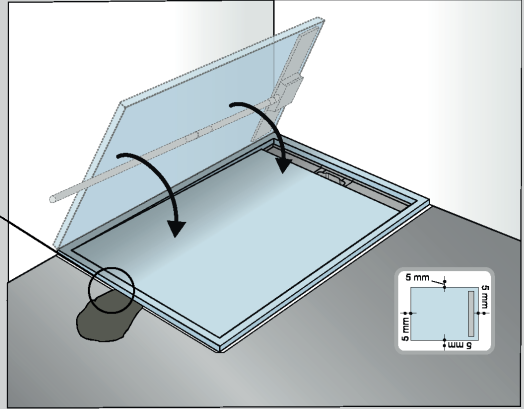
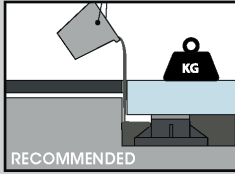


geen lijm
pas de colle
no glue
kein Kleber

plaatsing installatienoppen
positionnement des crampons d'installation
 positioning installation studs
 Positionierung der Montagebolzen



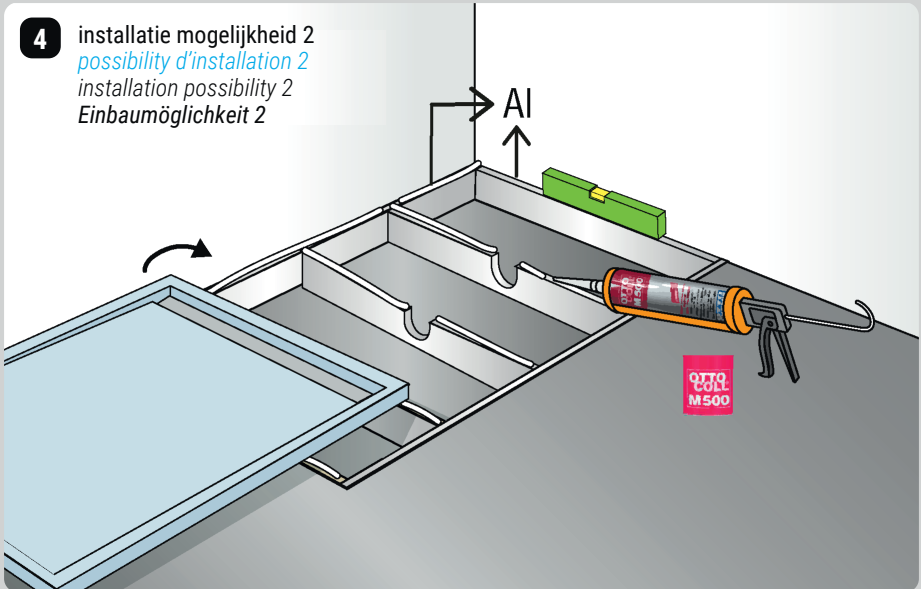
3



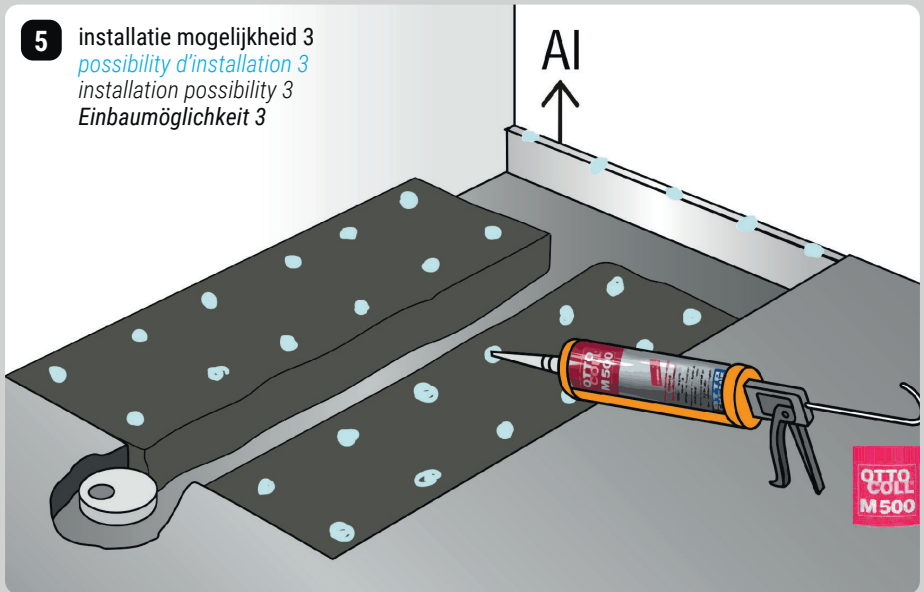
installatie mogelijkheid 1
possibility d'installation 1
installation possibility 1
Einbaumöglichkeit 1

4

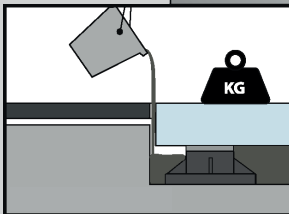
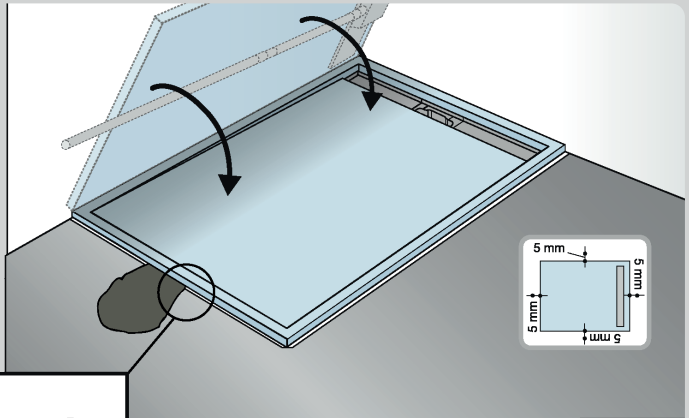
installatie mogelijkheid 2
possibility d'installation 2
installation possibility 2
Einbaumöglichkeit 2



5 installatie mogelijkheid 3
possibility d'installation 3
installation possibility 3
Einbaumöglichkeit 3

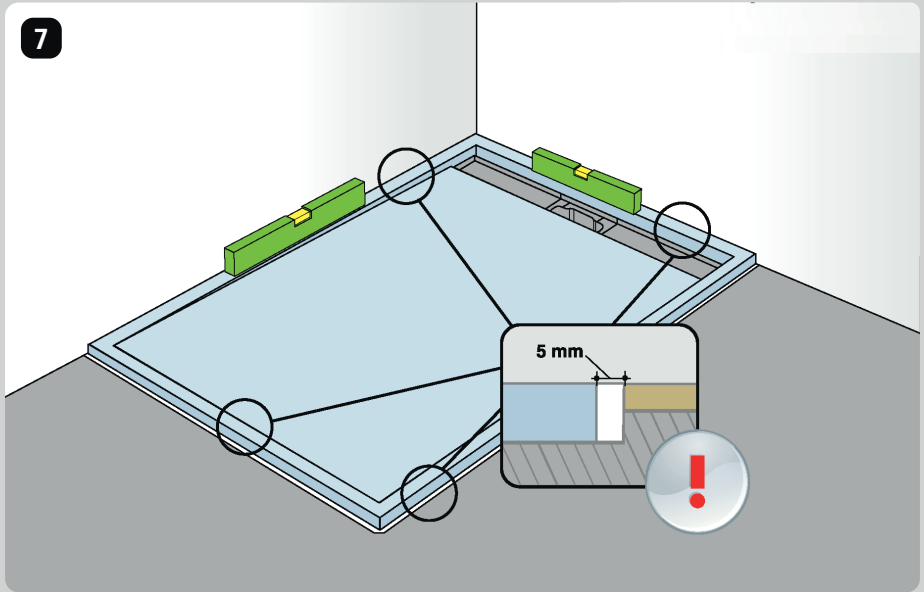


6

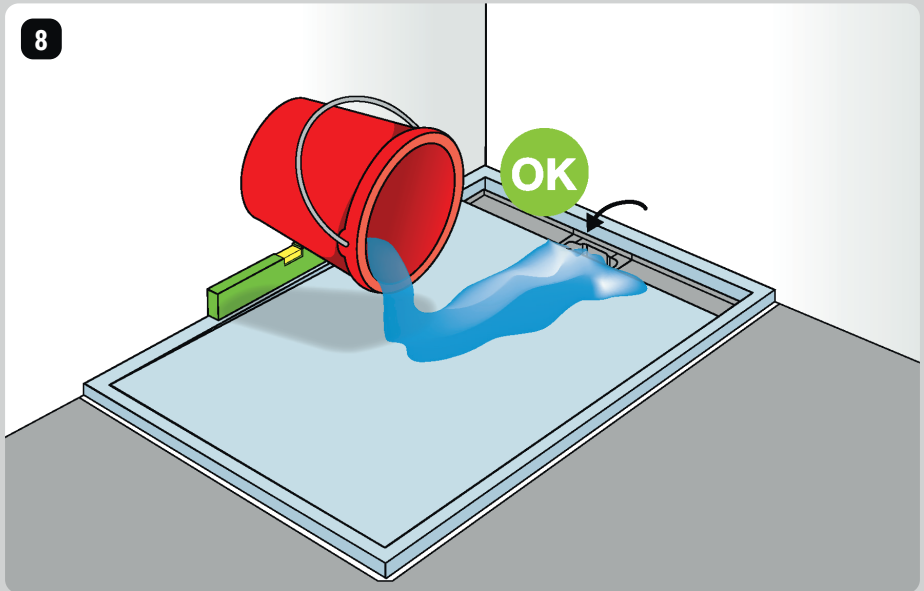


Aanbevolen
Recommandé
Recommended
Empfohlen

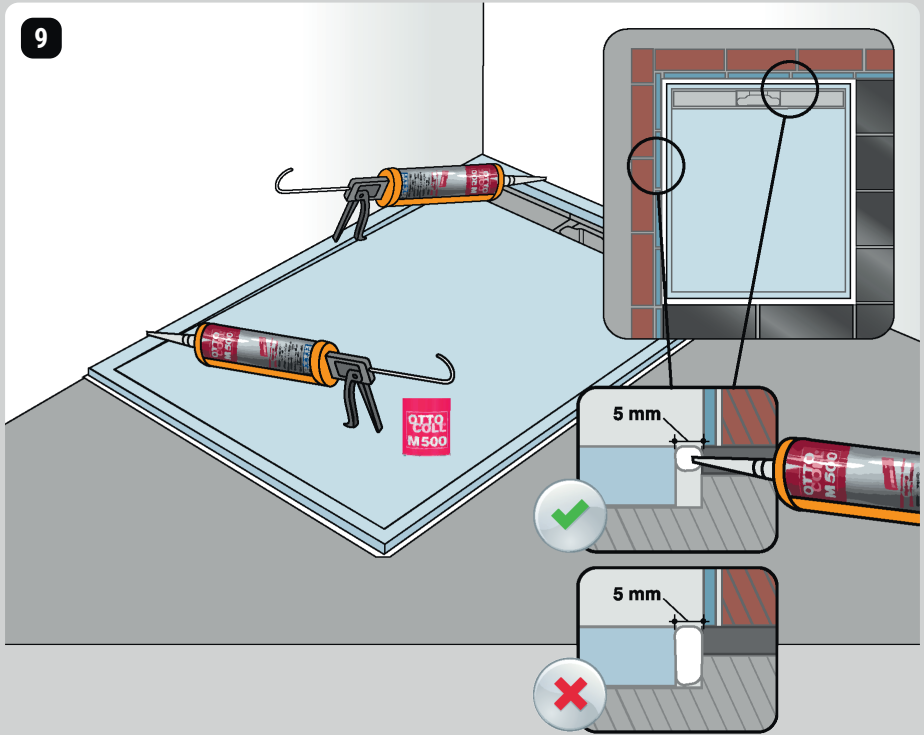
7



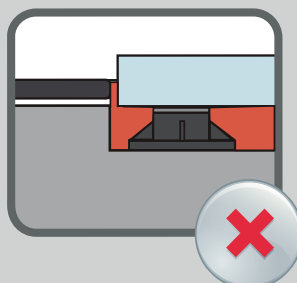
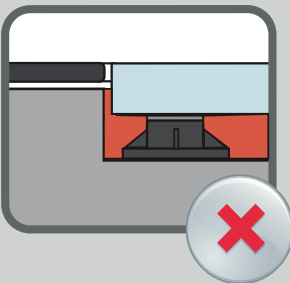
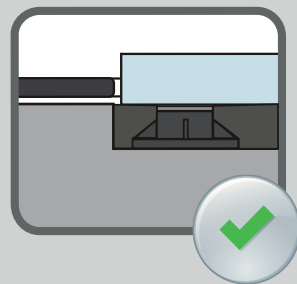
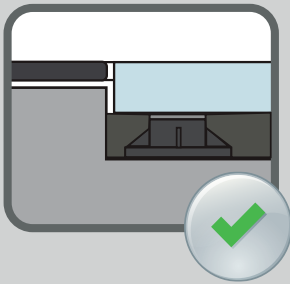
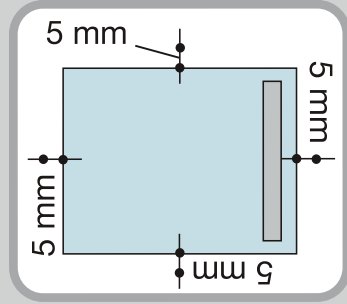
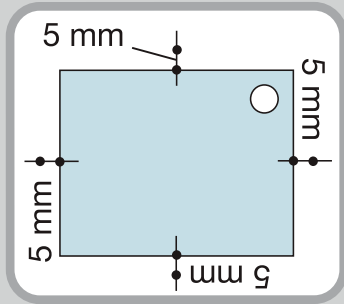
8



9



Opgelet! - Attention! - Achtung!



GELCOAT

Daily use

For daily care of your washbasin top in Gelcoat, we advise you to use a soft, non-abrasive sponge or cloth and clean water. However, if you do want to use a cleaner, give preference to a standard mild all-purpose cleaner or cleaning product.

Our Gelcoat products are given a topcoat consisting of Gelcoat. This topcoat is not 100% scratch-resistant. The use of scourers, products containing bleach and harsh solvents is therefore generally inadvisable. Any domestic products with harsh, bleach-containing and/or abrasive constituents must not be used either because they attack the surface of shower trays, they can actually cause dulling or scratches in the Gelcoat topcoat.

There are various products in the shops to use on your shower in order to create a water, limescale and dirt-repellent film.

! The temperature of the hot water must not exceed 60 °C. Higher temperatures may cause hairline cracks in the topcoat. This damage is not covered by warranty.

DZIGNSTONE SOLID SURFACE

Daily use

For day-to-day cleaning, never use cleaners or disinfectants containing alcohol nor cleaners or disinfectants containing solvents or acids. The use of abrasive products (scouring pads, cloths and the like) is also inadvisable.

Avoid daily use of the following products:

- steel wool
- abrasive cleaners
- strongly alkaline cleaners
- cleaners with a high acid content
- washing-power and washing-machine detergents

With regular maintenance you will also achieve fresh cleanliness and optimum hygiene without using strong cleaners.

Dzignstone Solid Surface does not require any more special care for daily maintenance than any other luxury material whether it be natural stone, Gelcoat or hard composite. Liquids are almost incapable of penetrating the material, which means that staining due to bathroom products used on a daily basis is kept down to a minimum.

Nevertheless, we advise removing any soap marks which have formed at once after each use and to rub the tray dry with a soft cloth.

This can be done simply with hot water and a mild bathroom or multipurpose cleaner (never use a sponge, bleach or cream cleaner). Wipe the surface nice and dry each time after cleaning or ventilate your bathroom well.

i *The hot water temperature must not exceed 60 °C. Damage caused by using water which is too hot is not covered warranty.*

Weekly maintenance

You are best giving your Dzignstone Solid Surface shower a more thorough clean on a weekly or fortnightly basis. Thoroughly remove all soap residues which may have been left behind. Use a soft cloth with water, detergent or other cleaner for this (never use a sponge, bleach or cream cleaner).

Limescale

Depending on the hardness of the water in your area, you may find limescale appearing (as it does on other surfaces). This can be removed simply with a standard limescale remover (e.g. Viakal) suitable for solid or delicate surfaces. If you use limescale remover, please adhere to the following procedure: apply the liquid to a damp cloth first (not directly on the shower tray), then rub it into the soiled areas, rinse thoroughly directly after (never allow to soak in!) and rub dry. Repeat this treatment for stubborn residues.

DZIGNSTONE SOLID SURFACE (continued)

Avoid using chemicals and abrasive cleaners generally

Some harsh chemicals can attack Dzignstone Solid Surface to a greater extent. Accordingly, never use strong chemicals such as bleach, drain unblockers or products used in the paint industry. Do not use acid cleaners (such as those used for drains, toilets or ovens). These products could cause white stains which are difficult or impossible to remove.

If, either by accident or negligence, serious damage does occur when using the above-mentioned products, we would advise you to clean your shower tray immediately and wash it off well with abundant water. By doing this you will prevent the chemical from setting to a greater extent in the material. Alternatively, you can always rely on your installer or accredited fitter. They also have sufficient professional techniques at their disposal to restore a shower tray to its original condition even in the event of serious damage.

Generally avoid daily use of the following products:

- steel wool
- abrasive cleaners
- strongly alkaline cleaners
- cleaners with a high acid content
- washing-power and washing-machine detergents

With regular maintenance you will also achieve fresh cleanliness and optimum hygiene without using strong cleaners.

All shower trays are checked at the end of the production process for any stains. Accordingly, we ask our customers to give this an additional check upon collection/installation. Complaints about stains reported subsequently are not covered by warranty and will be handled on a chargeable basis.

In exceptional cases: solutions for extremely stubborn stains

1. Always try the most obvious method first! Check first whether you can remove the stains with ordinary detergent and a soft sponge, repeat this method of cleaning a few times if necessary.
2. For more difficult stains, "magic sponges" available in most supermarkets can be used, e.g.: Easy Eraser by Scotch-Brite or Wipe-It Pro (in this case do not use a scouring pad or abrasive either).

With this cleaning you must make sure not to forget either to restore the original patina by going over the treated surface with a gentler cream cleaner in a circular motion. This needs to be done over the entire shower surface in order to maintain the uniform matt finish. Always wash off with water thereafter and wipe dry immediately with a soft cloth.

COMPOSITE

Daily use

Like any other material, quartz composite does not have any self-cleaning action. Normal soiling such as oil, grease, lime, etc. therefore need to be removed in all cases to enable the worktop to maintain its beautiful original lustre.

Normal care is the simplest way of keeping Diresco Stone shiny and radiantly beautiful for years. Most commonly-occurring contaminants can be easily removed by cleaning daily with a damp long-pile microfibre cloth and by using a neutral residue-free clear cleaning product. We recommend more intensive cleaning for heavier soiling.

For professional advice on this, you can always contact Lithofin for example for without obligation who have suitable products in their range. Beware of some washing-up liquids, since they leave a "film coating" on the worktop.

Food residues which have hardened after drying off (such as chewing gum, mustard, grease, etc.) need to be scraped off first using a blunt plastic scraper. Clean and rinse off with clean water after that.

CAUTION!

- Never use an abrasive cleaner, scouring pad or steel wool, these can damage the polish coating and cause dull patches.
- Do not use cleaners containing bleach or ammonia, or with a pH value higher than 10. Accordingly, be careful with some dishwasher tablets.
- Some harsh chemicals – such as those in oven cleaners or drain unblockers – can cause permanent damage to the surface. Trichloroethane, methylene chloride, paint stripper and cleaners with a high alkaline content or pH value must be avoided too. Do not use any marble flour-based cleaning products.
- Do not use any silicone-based care products.
- Avoid contact with marking or printing inks.
- Never sit or stand on the worktop, otherwise extreme stresses may occur e.g. at cut-outs and overhanging sections.
- Do not use Diresco quartz composite as wall cladding outdoors, swimming pool cladding or other applications in which the composite slab will be exposed to chemicals, extreme heating, flames or ultraviolet radiation.

Colour and texture variations may occur in all cases due to the natural raw materials used in quartz composite. They have no effect on the quality and durability of the material.

Given the density of the material (not porous), bacteria and moulds have no chance of developing. Diresco complies with various food-safety certificates. (NSF, Greenguard Gold, VOC, etc.)

New Velvet finish

The new "Velvet" honed finish will be introduced as from January 2015, as a replacement for the "easy clean" version.

The luxurious appearance of this surface treatment adds aesthetic value plus it guarantees excellent density, depth of colour and significantly increased maintenance-friendliness.

As a major benefit, we would emphasise that this finish no longer needs any surface protection (Stain-Stop/Protector).



A brand by Group Nivelles

www.dzignstone.be • sales@groupnivelles.com
T: +32(0)11 68 96 68 • Ambachtsweg 14 • B-3890 Gingelom