

# TECHNICAL DATA SHEET

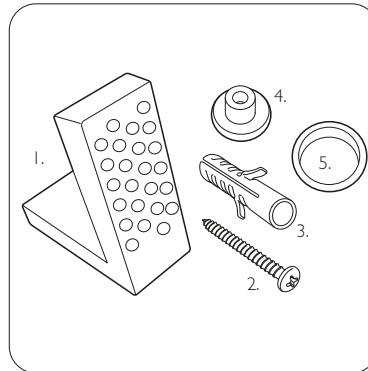
## Lansdown Close Coupled Fully Enclosed WC

# TAVISTOCK

NO.	Description	Product Code	Fixings included	Gross Weight
1	Close Coupled Cistern	DCI 4036	YES	15KG
2	Soft Close Toilet Seat	DCI 4037	YES	2.1KG
3	Rimless Fully Enclosed WC	DCI 4042	YES	28KG



### Floor Fixings

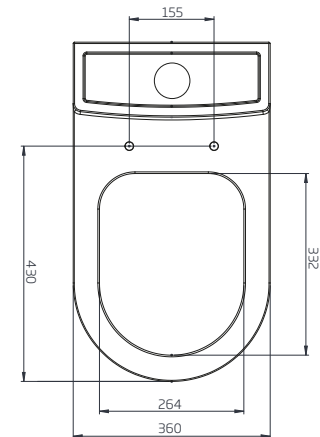
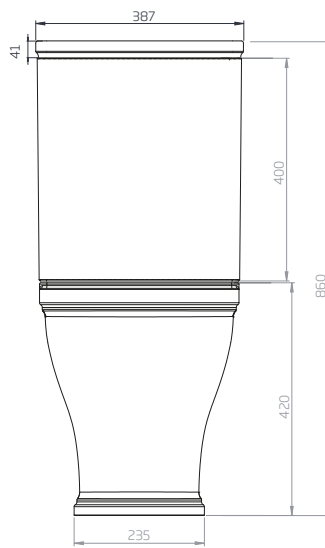
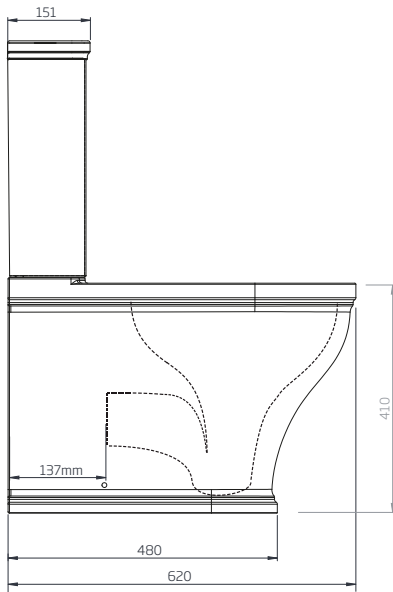


- 1. 2x Nylon Floor Bracket
- 2. 4x Stainless Steel Screws
- 3. 2x Nylon Screw Plugs
- 4. 2x Nylon Screw Collars
- 5. 2x Nylon Collars Caps (Metalic Finish)

Spare Code: SP14211

## DIMENSIONS

DIAGRAMS NOT TO SCALE | ALL DIMENSIONS IN MM TOLERANCE OF ± 5MM  
ALL PRODUCTS CONFORM TO BRITISH STANDARDS



\*Dimensions are subject to change, customers are advised to measure actual product before commencing installation.  
\*\*Fixing point dimensions are for guidance only. The positions of fixings must be checked when product is received.

## FAQs

Q - Where is the inlet valve?  
A - Bottom inlet, back right of the pan.

Q - Are there any other compatible seats?  
A - No

Q - What is the flush volume?  
A - 6/4L

Q - Rim type?  
A - Rimless

Q - Can this pan be used with a side connection outlet pipe?  
A - No

Q - What finish is the ceramic glaze?  
A - Keramik White

Q - What finish is the flush button supplied with the cistern?  
A - Chrome

Q - Can the flush button be upgraded to a different finish?  
A - Yes using TR9026 (black) or TR9038 (brushed brass)

Key Dimensions Descriptions	Key Dimensions (mm)
Front to Back Footprint	480mm
Left to Right Footprint	235mm
Bowl Front to Back	332mm
Bowl Left to Right	264mm
Pan Height (+Cistern)	420mm (860mm)
Pan Overall Front to Back	620mm
Centre Waste Outlet to Floor	180mm
Width of Void	155mm
Is there a Ceramic Brace Bar	No
Distance from Spigot to back of Pan	137mm