

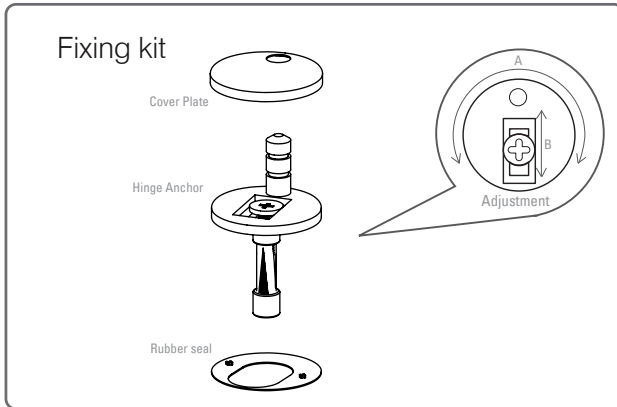
ARCHETYPE SOFT CLOSE TOILET SEAT

FITTING INSTRUCTIONS

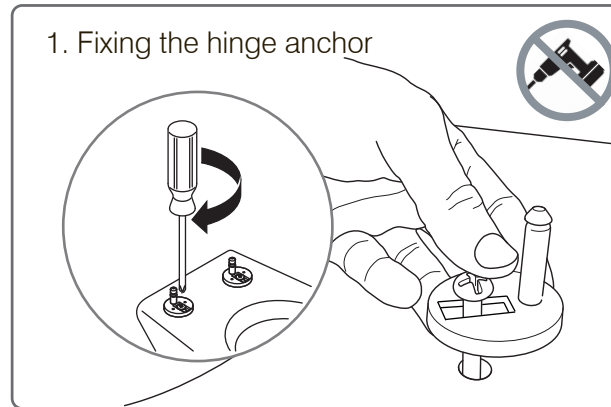
Please retain for future reference

ROPER RHODES®
DC14030

Please read carefully before attempting to fit the seat. If you are not the end user, please make sure the aftercare instructions are made available for the end user to read.



Maximum adjustment of the pin position is achieved by rotating the hinge anchor around the screw (adjustment A in the parts diagram above). Further fine adjustment of the pin position can be achieved by sliding the screw in the adjustment plate (adjustment B).



Place the Top Fix Inserts into the fixing holes in the toilet pan. Insert the screws into the Hinge Anchors using the washers provided between the pan and anchor. Begin to tighten the screws until they are loosely secured, to allow for adjustment of the seat on the pan. Do not fully tighten at this stage.

AFTERCARE INSTRUCTIONS



Clean surfaces with a soft damp cloth and mild soap solution



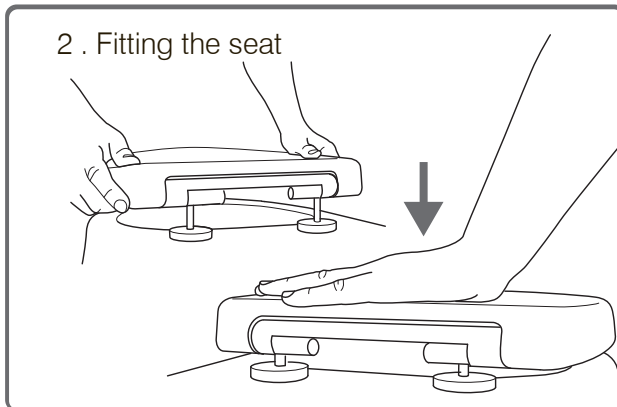
Do not scrub or scour



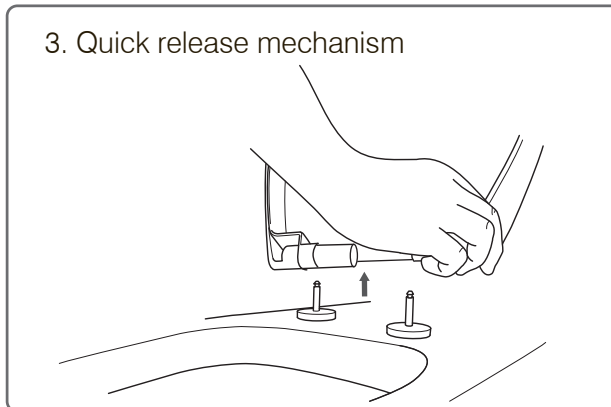
Do not use abrasive cleaning agents



Do not stand on the lid or ring of your toilet seat



Align and insert the hinge anchors into the hinges on the seat and firmly press down until the seat is engaged into position. Adjust the hinge anchors to make sure the seat lines up with the edges of the toilet pan. When you are satisfied the seat is in the correct position, remove the seat from the hinge anchors (see step 3) and fully tighten the screw (shown in step 1). Place the cover plates over the hinge anchors. Replace the seat and 'push' into position.



This toilet seat is designed for quick and easy removal when cleaning the toilet pan. To quickly release the seat, lift the lid and seat up to a vertical position. From there, lift one side of the seat up to disengage the pin followed by the opposite side. The seat should easily lift away from the pins. To replace the seat align the sockets with the pins and firmly press down until the seat is engaged into position.

IMPORTANT

After a few days check that the fixings are still tight. This is necessary as some components will compress during the first few days.

When using abrasive, corrosive or chlorine-based cleaners for the toilet bowl, ensure that these do not come into contact with the seat. Also keep the seat and cover in an upright position until all cleaner has been flushed away. Failure to do so can lead to discolouration of surfaces or rusting of metal parts which will not be covered by the guarantee.

Do not force down the seat ring or lid as this may compromise the performance of the soft close hinge.

Periodically check all fixings to ensure none have come loose and re-tighten where necessary. Please take care when handling or moving the toilet seat as careless handling may cause damage or injury. The toilet seat can be dangerous if incorrectly installed. Assembly should be carried out by a competent person. No liability will be accepted for damage or injury caused by incorrect product installation or assembly.