

# TECHNICAL DATA SHEET

Loft Soft Close Toilet Seat - DCI4030

# TAVISTOCK

NO.	Description	Product Code	Fixings included	Gross Weight
I	Soft Close Toilet Seat	DCI4030	YES	2KG

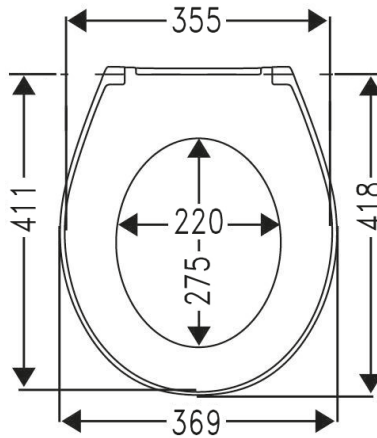


## Spares Codes:

- Loft Hinge Fixing Kit - SPI6318
- Loft Wrap Over Lid Buffer - SPI9248
- Loft Wrap Over Seat Ring Buffer - SPI7852
- Loft Hinge Barrel Clip - SPI9258
- Loft hinge Damper Cap - SPI9723

## DIMENSIONS

DIAGRAMS NOT TO SCALE | ALL DIMENSIONS IN MM TOLERANCE OF ± 5MM  
ALL PRODUCTS CONFORM TO BRITISH STANDARDS



\*Dimensions are subject to change, customers are advised to measure actual product before commencing installation.

## FAQs

Q - What's the maximum test load of the seat?

A - 150kg

Q - What are the fixings made from?

A - Stainless Steel Cover Plates/Screws, Nylon Anchor Plates, Top Fix Inserts

Q - What finish are the hinge covers supplied with the seat?

A - Chrome

Q - Can the seat hinges be upgraded to a different finish?

A - Yes using DC4011 (black) or DC4012 (brushed brass)

Q - What colour finish is the seat?

A - Alpine White

Key Dimensions Descriptions	Key Dimensions (mm)
Seat/Lid Front to Back	418mm
Seat/Lid Left to Right	369mm
Ring Hole Front to Back	275mm
Ring Hole Left to Right	213mm
Seat Overall Thickness	49mm
Width of Back of Seat	300mm