

ACU500F.X, ACU600F.X, ACU800F.X ACU500W.X, ACU600W.X, ACU800W.X ACUMEN FLOOR AND WALL MOUNTED UNITS

TAVISTOCK

FURNITURE AFTERCARE INSTRUCTIONS

Before You Start

- The product should only be installed by a suitably qualified / competent / experienced bathroom installer.
- Check the contents of the pack for defects before installation. The supplier will not accept any refitting costs if faulty product has been fitted.
- The furniture should only be installed in a well ventilated bathroom at a distance from bath / showers to avoid splashing. It should also be protected from any shower / handset spray by a shower screen or similar.
- Make sure the unit and basin are secured to a suitably strong / reinforced wall to ensure stability.

Caution

- Take care when using power tools near water - the use of a residual current device (RCD) is recommended.
- Beware of hidden pipes or cables.
- Wear suitable eye protection when drilling.
- Take care when drilling tiled surfaces as the drill might slip. We recommend using a piece of masking tape to prevent the drill from wandering.

Aftercare

Do ✓

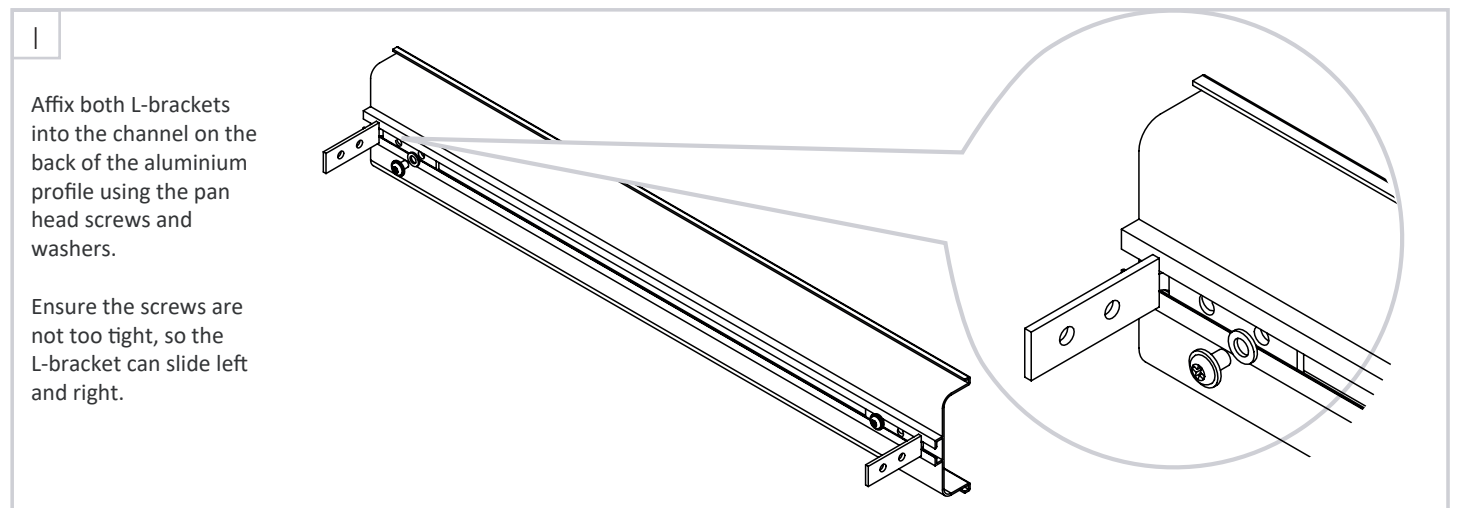
- Wipe away any water splashes or condensation after use. Excessive exposure to water or sitting water will damage the furniture.
- Clean with a soft damp cloth with a mild detergent only. Surface should then be fully dried using a soft lint free cloth.
- A suitable limescale remover can be used on the BASIN ONLY if required but MUST be tested on an inconspicuous area of the basin.

Don't ✗

- Scrub or scour any part of the furniture or basin.
- Use furniture polish.
- Use abrasive or bleaching cleaning agents.
- Allow hot or sharp objects to contact the furniture or basin.

PROFILE TRIM INSTALLATION

We recommend you install the profile trim first, before applying the basin or fixing unit to the wall.



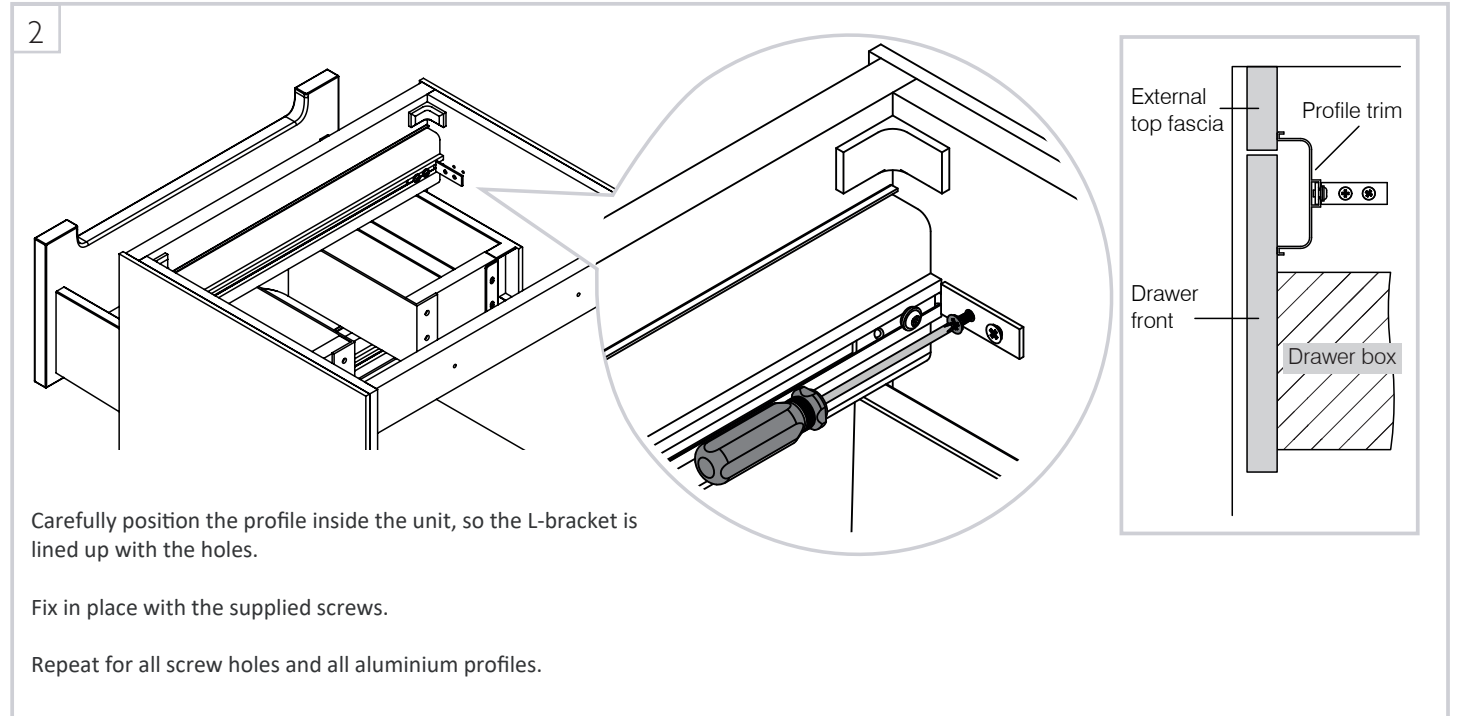
ACU500F.X, ACU600F.X, ACU800F.X
ACU500W.X, ACU600W.X, ACU800W.X

TAVISTOCK

ACUMEN FLOOR AND WALL MOUNTED UNITS

PROFILE TRIM INSTALLATION

2

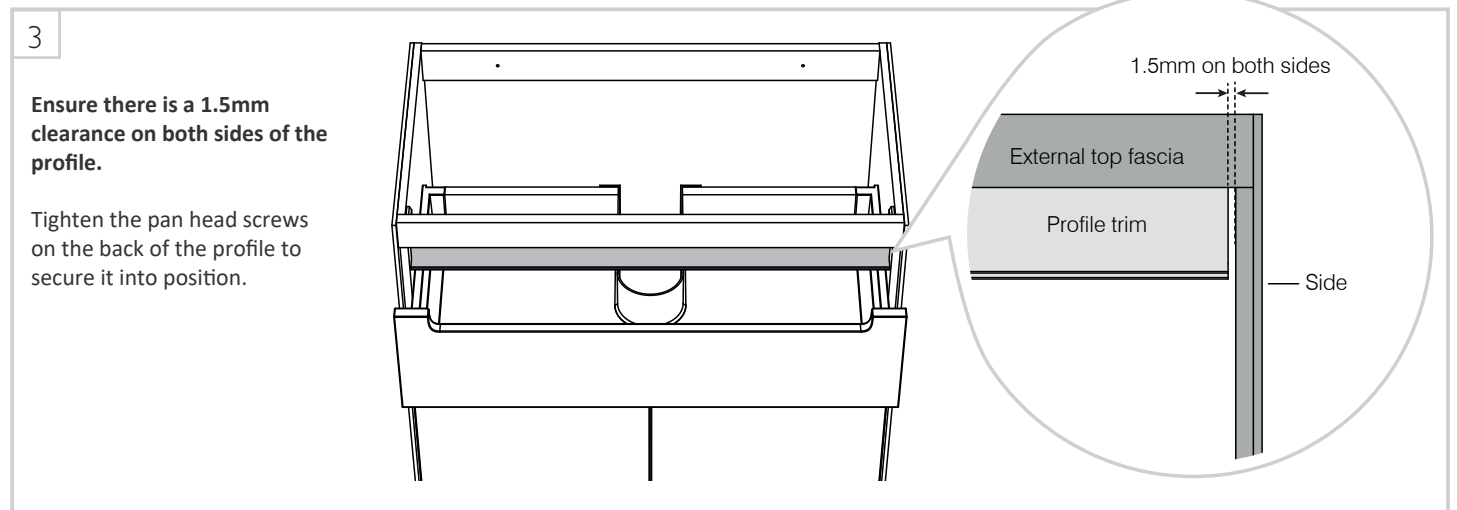


Carefully position the profile inside the unit, so the L-bracket is lined up with the holes.

Fix in place with the supplied screws.

Repeat for all screw holes and all aluminium profiles.

3



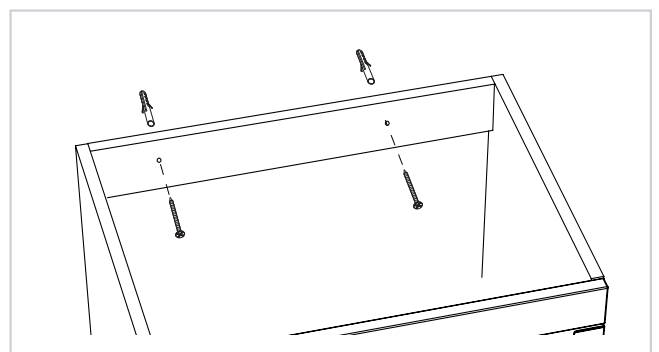
Ensure there is a **1.5mm clearance on both sides of the profile.**

Tighten the pan head screws on the back of the profile to secure it into position.

FIXING TO THE WALL- FLOOR MOUNTED UNITS

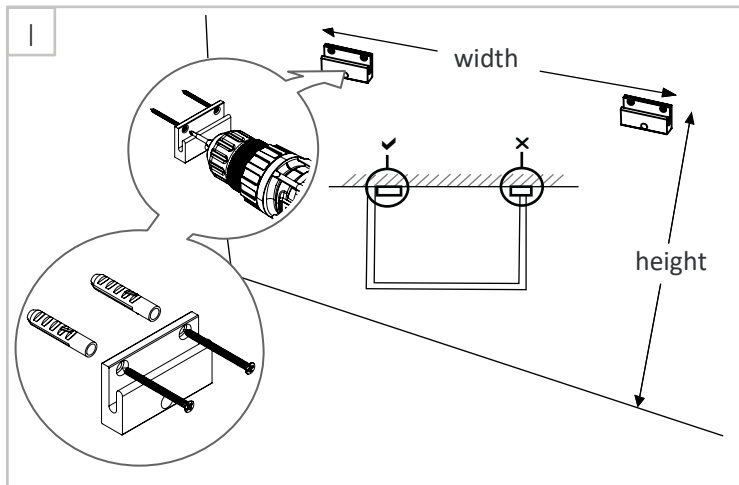
To secure the floor mounted units to the wall, use suitable fixings to screw the unit through the holes in the back brace.

For floor standing units intended to be attached to the building: **WARNING** in order to prevent overturning this product must be used with the wall attachment device provided.

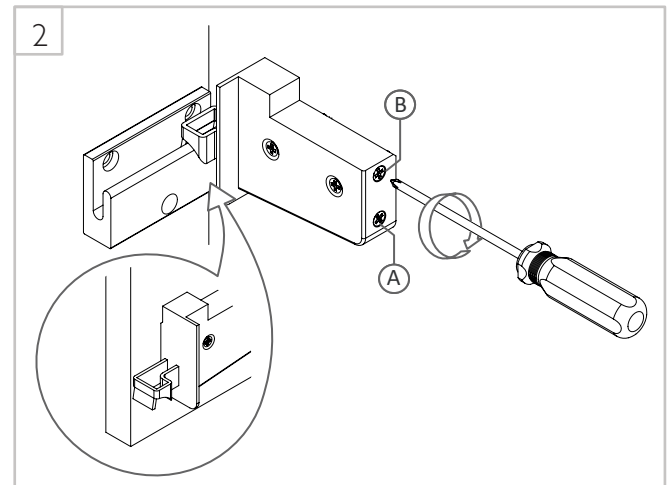


ACU500F.X, ACU600F.X, ACU800F.X
 ACU500W.X, ACU600W.X, ACU800W.X
ACUMEN FLOOR AND WALL MOUNTED UNITS

FIXING TO THE WALL - WALL MOUNTED UNITS



Mark the location of each of the wall mounting plates ensuring that they are positioned inside the sidewalls of the unit. Use a spirit level when marking to ensure that the mounting plates will be level. For each mounting plate drill two holes in the marked positions using a 8mm drill bit to a depth of 55mm.



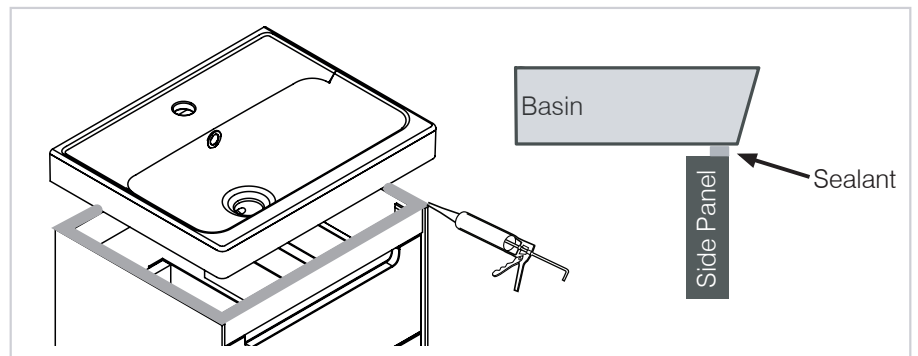
Remove the cover cap from the hangers.

Locate the hangers onto the wall mounting plates. Wall hangers can tighten the unit against the wall (Screw A), and have up/down adjustment to level the unit (Screw B). Replace cover cap.

BASIN FITTING INSTRUCTIONS

- Once the basin is plumbed in, finish by securing to the washstand and wall with a silicone sealant (not supplied). This creates a water tight seal and prevents damage.

- Ensure silicone / sealant sits on outer edge of furniture to prevent any water pooling, see the diagram for positioning.

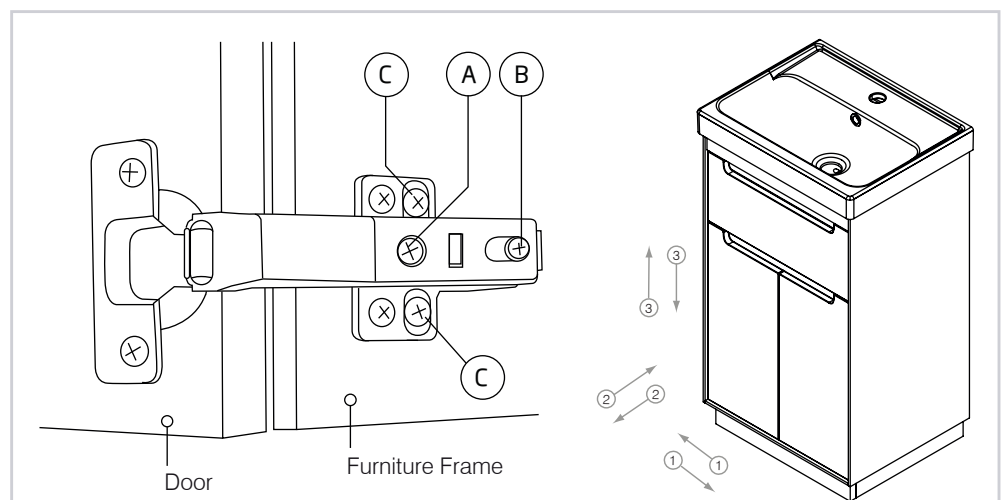


HINGE ADJUSTMENT

To make adjustment 1 simply turn screw A.

To make adjustment 2 simply turn screw B.

To make adjustment 3 loosen screw C on both hinges, allowing the door to slide up or down.



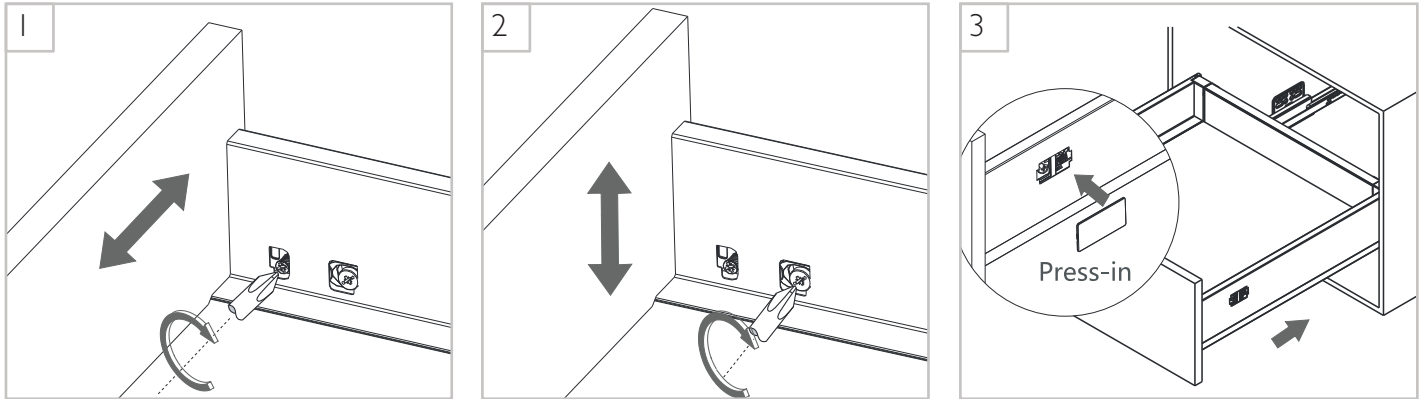
ACU500F.X, ACU600F.X, ACU800F.X
ACU500W.X, ACU600W.X, ACU800W.X

TAVISTOCK

ACUMEN FLOOR AND WALL MOUNTED UNITS

ADJUSTING DRAWER FASCIA

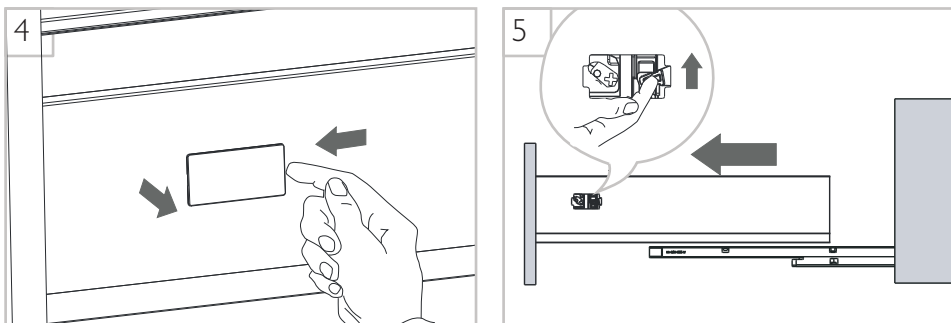
Fascias may require adjustment for correct alignment. This is achieved with the adjusting mechanisms under the interior covercap.



REMOVING DRAWER AND DRAWER FASCIA

The drawer and the drawer fascia can be removed and replaced by uncovering the mechanism on the outside of the drawer side.

TO REMOVE DRAWER



TO REMOVE FASCIA

*For wall mounted units, remove the L-bracket on bottom face of drawer before releasing.

