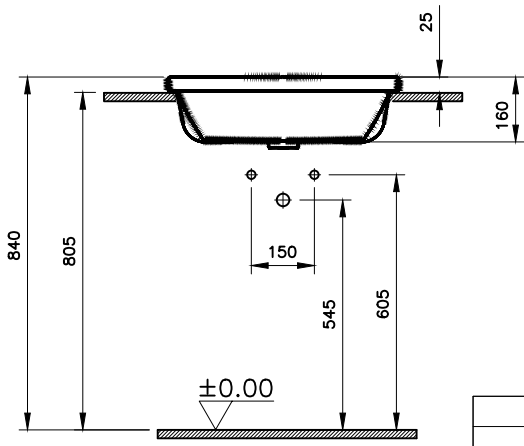
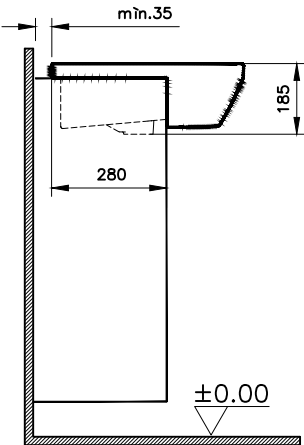
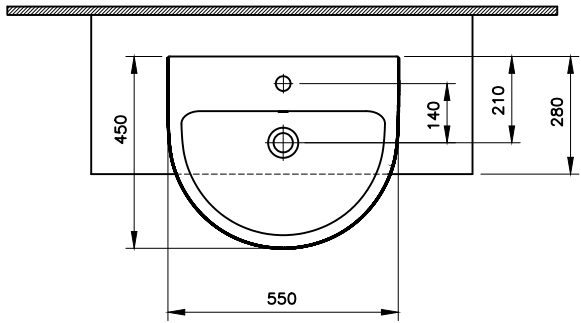


Theoretic Mass(kg)	Revision
Surface Area(dm ²)	A4

Thread	Hole	Shaft



**PROTOTYPE
DRAWING**

1	1	Lavabo	7337-0001	Ceramic	
item	Quantity	Part Name	Drawing No	Material	Material Class
		Series	Ceramic	Material Class	
		Lavabo			
Drawn By		Controlled By	Approved By	Date	Drawing No
F.SENCONCA		G.KOCAESKI	N.BALTACI	21.01.2022	7337
					Scale
					VitrA® ARTIMA®

R.S	Description	Date	NAME

This drawing can only be used for the intended purposes. Unauthorized copying is strictly prohibited.