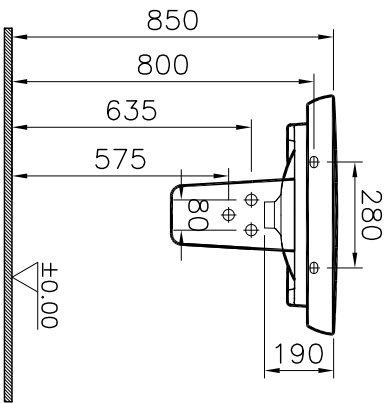
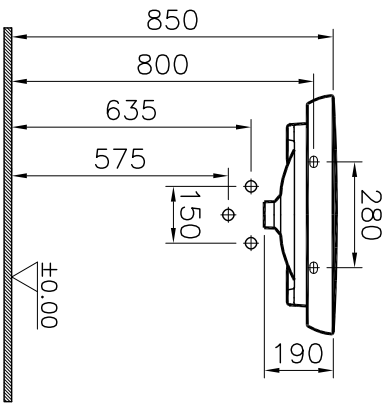
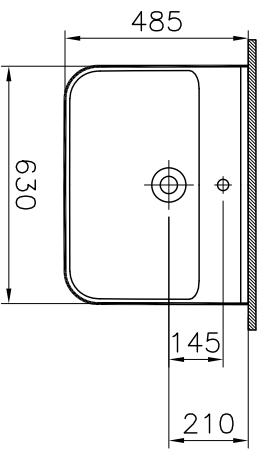


Theoretic Mass(kg)	
Surface Area(dm ²)	

Revision

Thread	Hole	Shaft



No	Quantity	Part Name	Series	Material	Drawing No	Material	Material Class
2	1	Trap Cover			5281		
1	1	Washbasin			5946		Ceramic
		This drawing can only be used for the intended purpose. Unauthorised copying is strictly prohibited.		SEVIO			
		Washbasin					

Drawn By	Controlled By	Approved By	Date	Drawing No	Scale
G.CULLTER	MBALTAGI	V.SARIÇOL	21.10.2016	5946+5281	1/20
Rev.	Details	Date	Signature		

VITRA® | ARTEMIS®