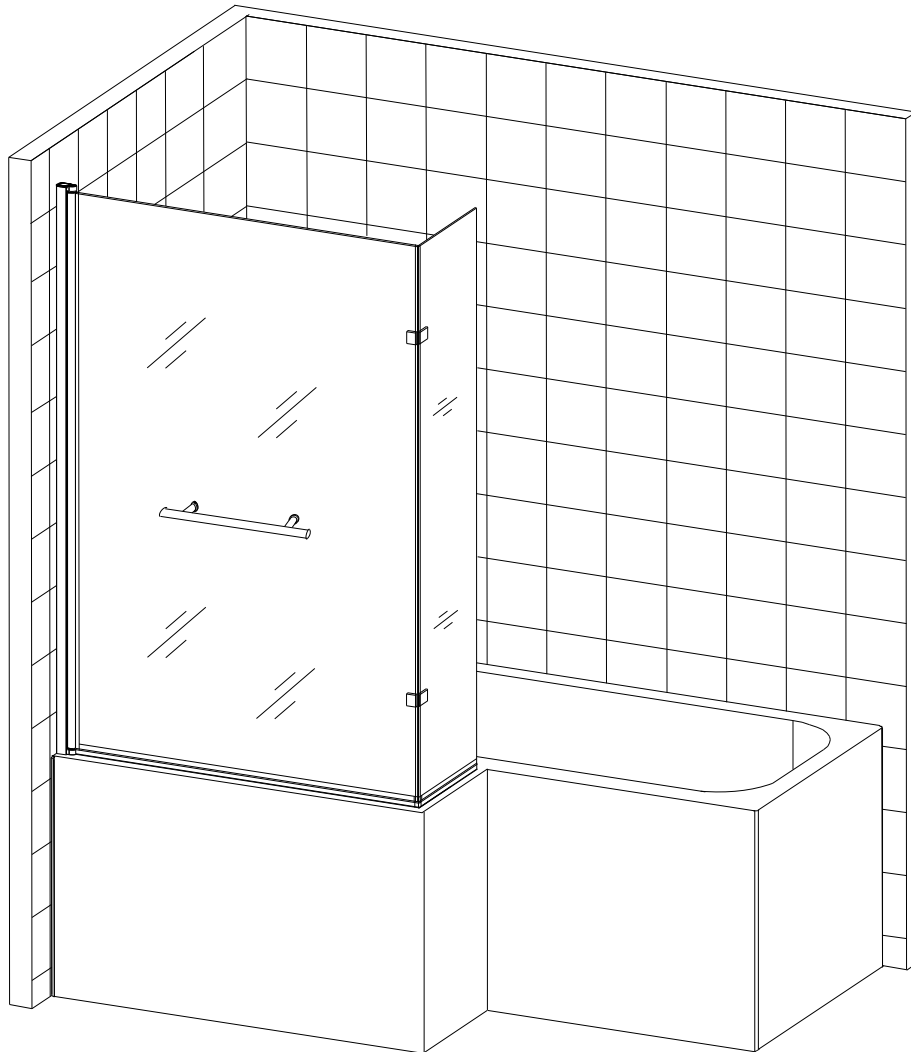


L Shaped Screen with Towel Rail Installation Instructions



1400x(825+150)mm

- Please read these instructions in full before installing












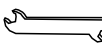
IMPORTANT

- Check that the tray has been installed to the manufacturer's instructions. Please note - All product is supplied without a tray.
- Opening wall adjustments
L shaped screen - adjustment = (810 - 825) + 150 mm

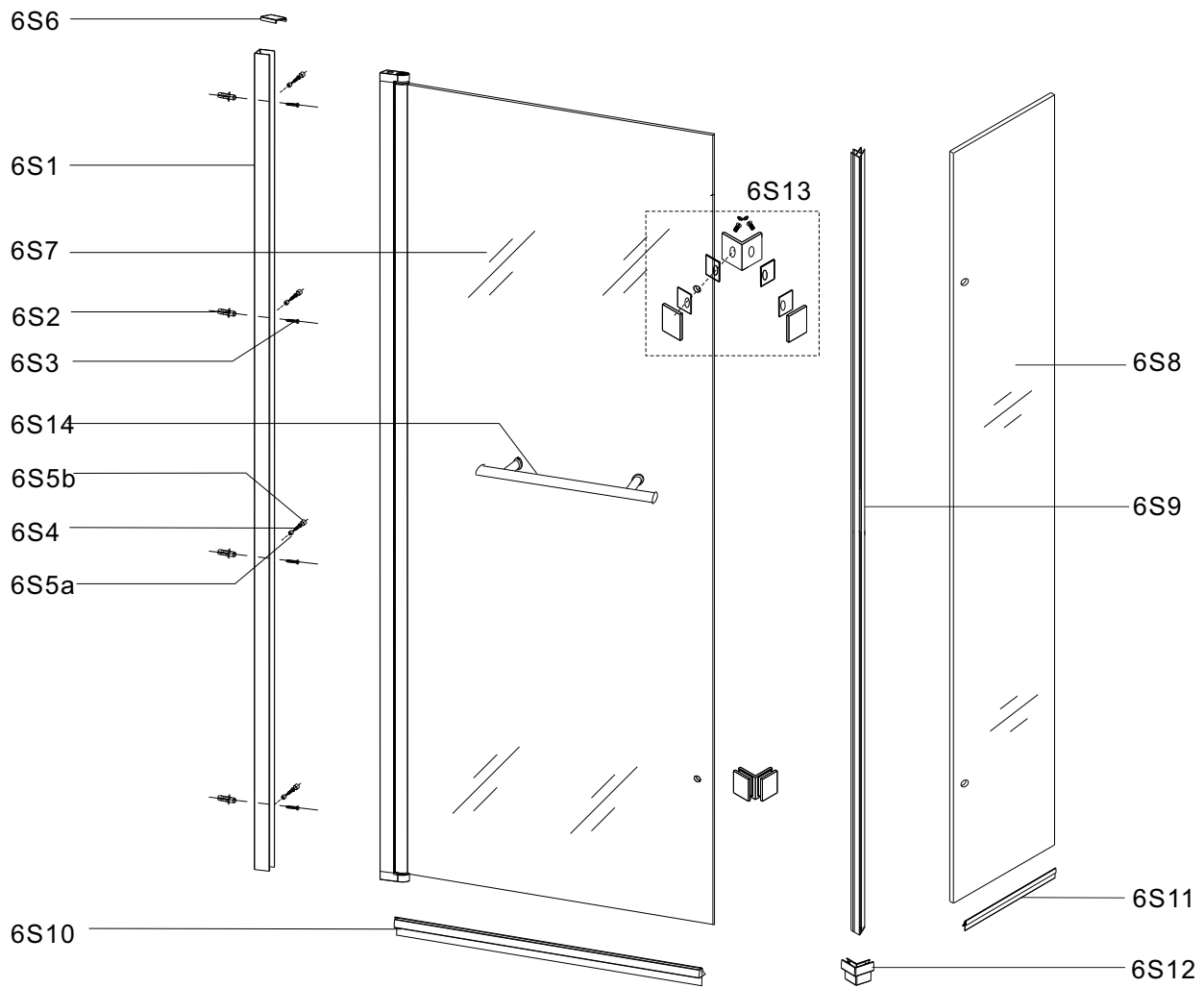
GENERAL SAFETY INSTRUCTIONS

- Do not fix the wall profile to newly plastered, painted or papered walls as chemical reaction may cause discolouration to the surface finish.
- Important: The wall plugs included in this pack are for solid walls only. If the product is to be mounted on a partition or stud wall, specialised fixings should be purchased separately.
- Fixing tips; A piece of insulating tape or a couple of layers of masking tape applied to the wall before marking out the fixing holes will help stop the drill from wandering, particularly on tiled surfaces.
- When working near a basin or bath insert the plug into the waste, this will help you avoid losing small parts. Also take care not to drop accessories or tools onto the bath or basin, use a towel or bathmat to protect delicate surfaces.
- **CAUTION!**
Before drilling into any walls check that there are no hidden cables or pipes. Exercise great care when using power tools near water. The use of a residual current device (RCD) or cordless drill is recommended. Always double check the positioning and measurements before drilling holes.
- This product is heavy and requires two people during lifting and operations.
- Glass is delicate, support on cardboard to minimise risk of damage.













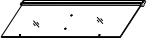

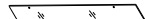
Tools required (not supplied)

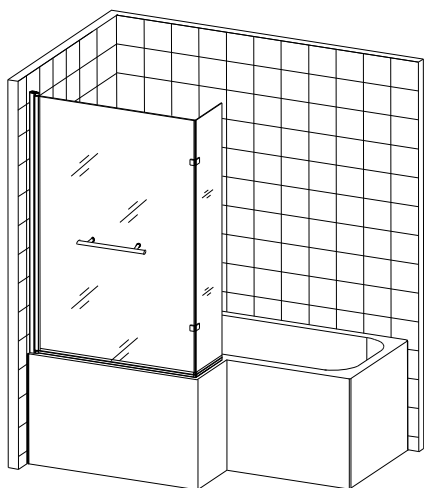
Electric drill		tape measure	
drill(Ø3.2mm)		rubber hammer	
drill(Ø6mm)		knife	
cross tip screw driver		pencil	
spirit level		silicone sealant	
wrench		spanner	

IDENTIFICATION OF PARTS

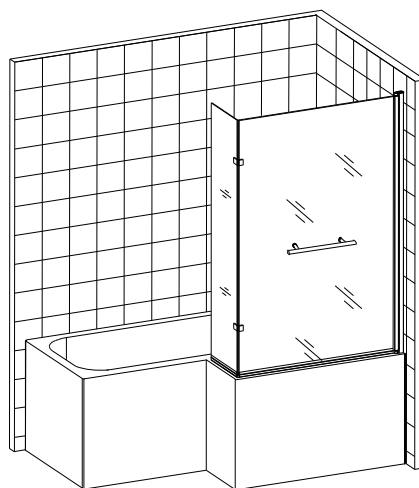


Fixings & fittings supplied

Item No.:	Part	Quantity	Item No.:	Part	Quantity
6S1		X 1	6S9		X 1
6S2		X 4	6S10		X 1
6S3	 ST4X30	X 4	6S11		X 1
6S4	 ST4X10	X 4	6S12		X 1
6S5		X 4	6S13		X 2
6S6		X 1	6S14		X 1
6S7		X 1	6S15		X 1
6S8		X 1			



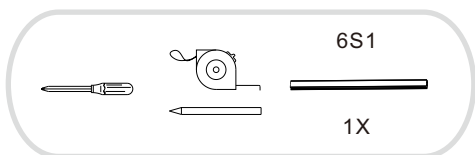
LH



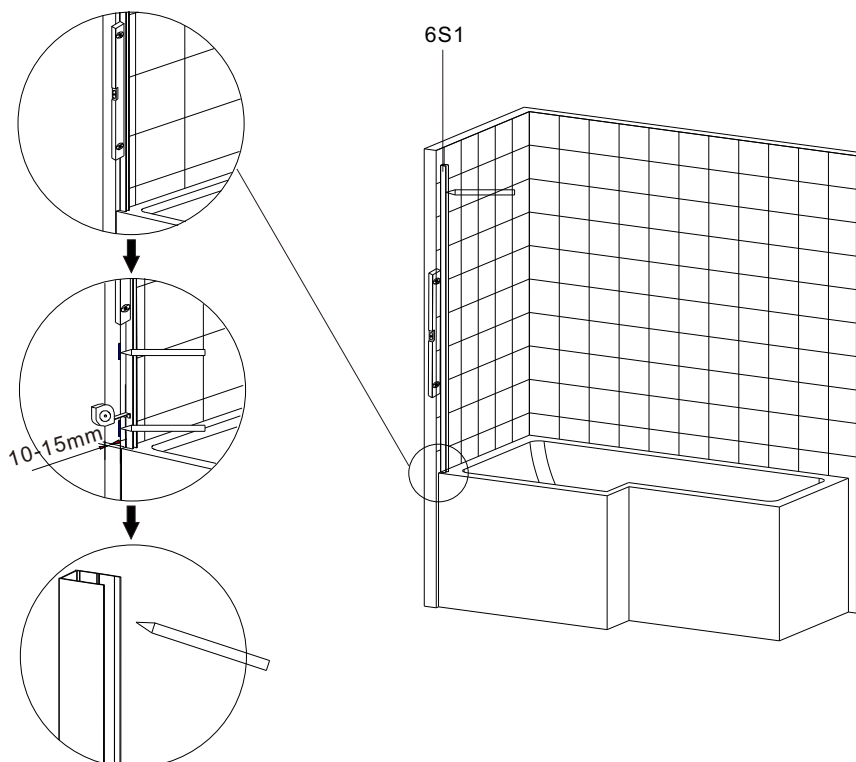
RH

L Shape Bath Screen is ok to be installed in left hand or right hand. Please choose the direction you want and follow below steps. Below steps are based on left hand. For right hand, please turn the screen panels upside down and follow below steps in mirror direction.

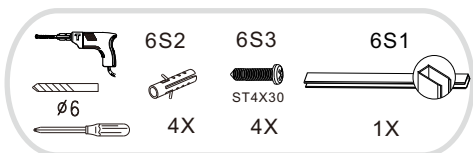
1.



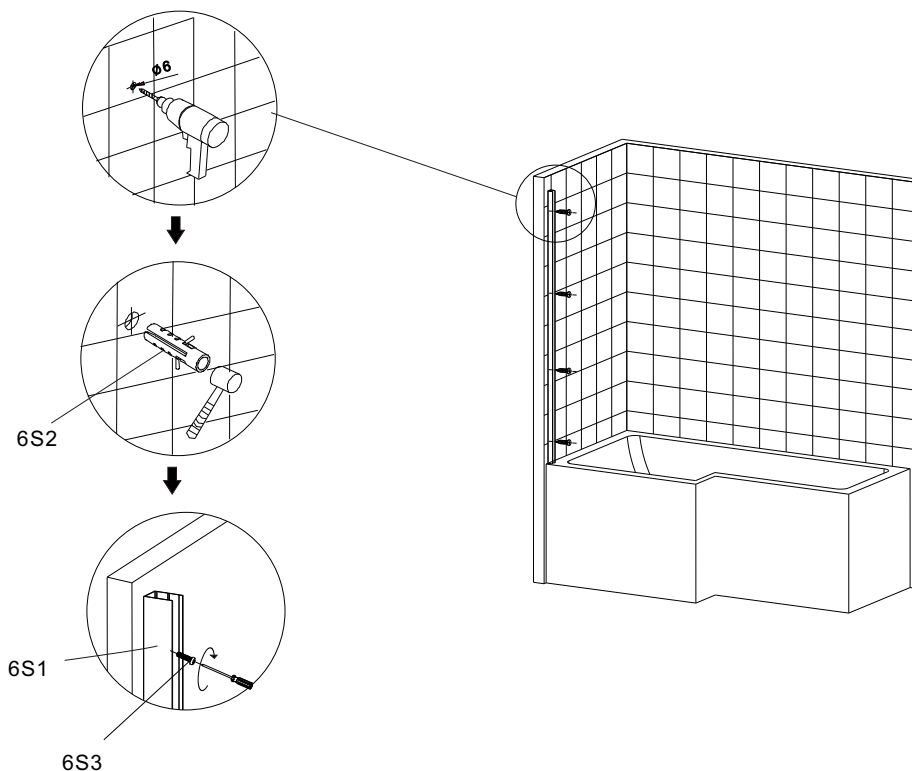
- Ensure the bath is level and sealed correctly before installation.
- Put the wall profile 6S1 against the wall, ensuring the distance between the profile and the bathtub edge is correct. Adjust the profile to make sure it is vertical by using a spirit level.
- Mark the holes on the wall.



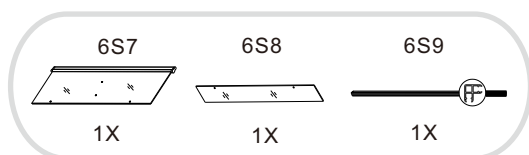
2.



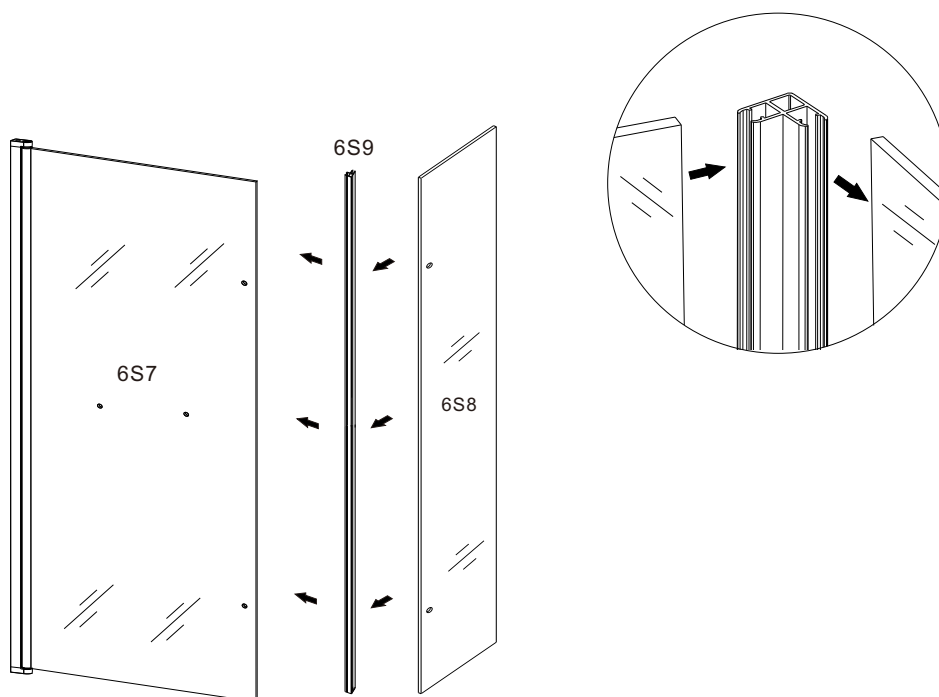
- Drill the holes (Ø6mm) according to the marks and insert the wall plugs 6S2 into the holes.
- Fasten wall profile 6S1 on the wall with screw 6S3.



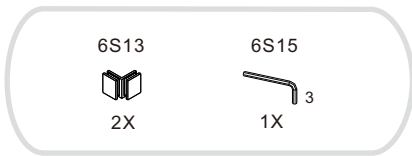
3.



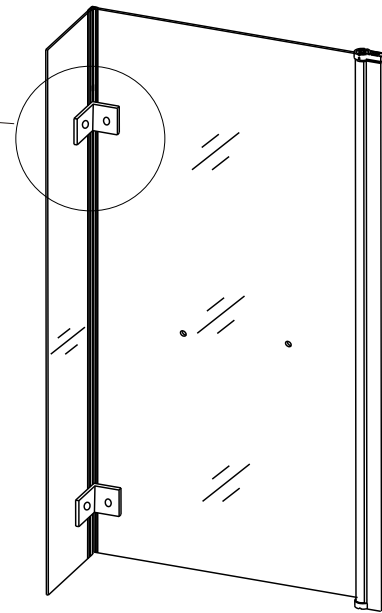
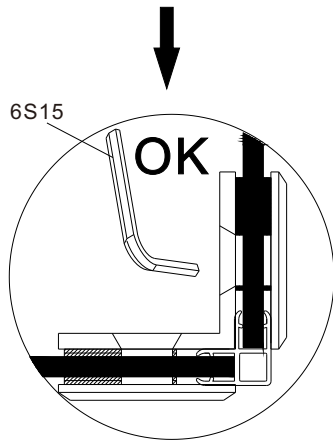
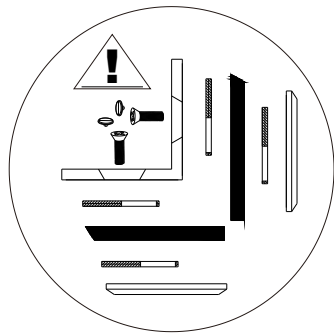
- Mount the vertical anti-water sealer 6S9 between the screen panel 6S7 and return panel 6S8.



4.

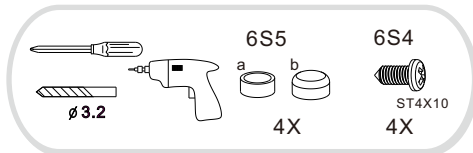


- Fix the screen panel and return panel by using clip 6S13 with hex key 6S15.

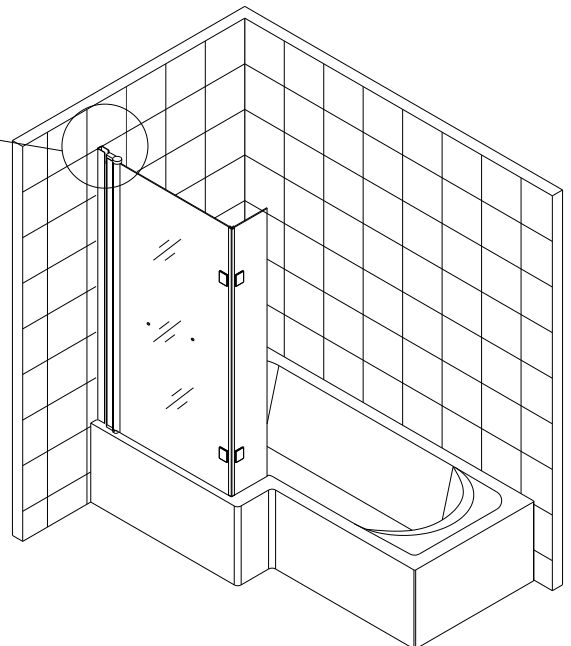
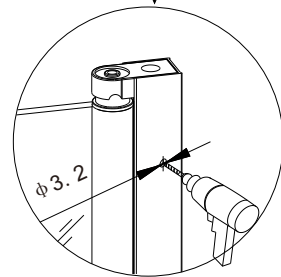
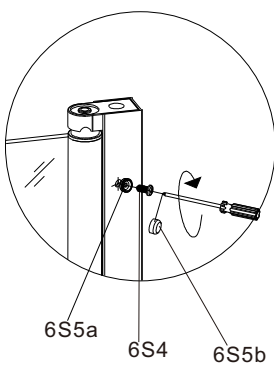
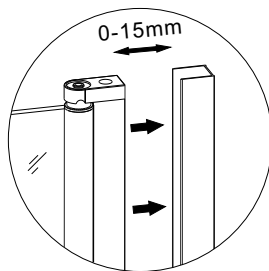


Caution: Washers should be on 2 sides of the glass panel.

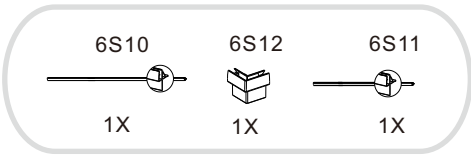
5.



- Insert screen panel into wall profile. There is 15mm adjustment between vertical profile and wall profile. Please adjust the screen panel in correct position and make sure the screen panel fits along the bathtub edge, but does not sit down directly on bathtub edge.
- From inside, drill through the vertical profile into the wall profile where shown using Ø3.2mm drill.
- Fix the wall profile 6S1 and screen panel together with screws 6S4, screw washers and caps 6S5.

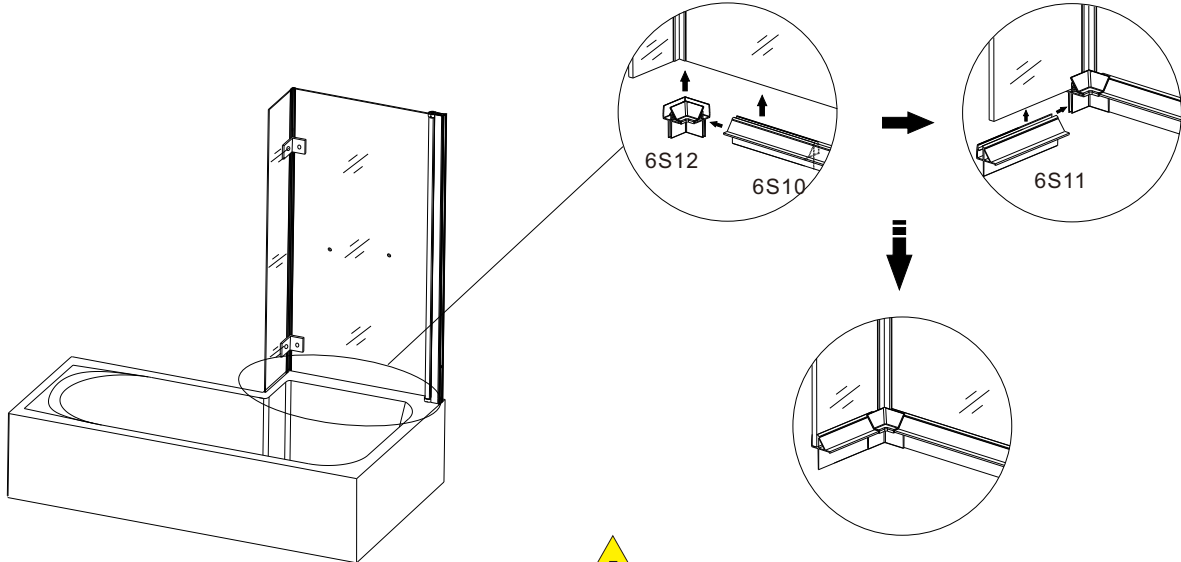


6.



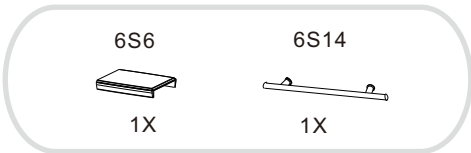
- Insert bottom anti-water sealer 6S10 into bottom corner joint 6S12. Attach both up to the bottom edge of glass and vertical anti-water sealer.
- Fit short bottom sealer 6S11 into the other end of 6S12 and then apply them onto glass.

- Both bottom sealers and corner joint must be in contact with the bath top along their entire lengths. If not, ensure front panel glass is parallel with the bath edge and push sealers and corner grommet down, as necessary, to make full contact with the bath top.

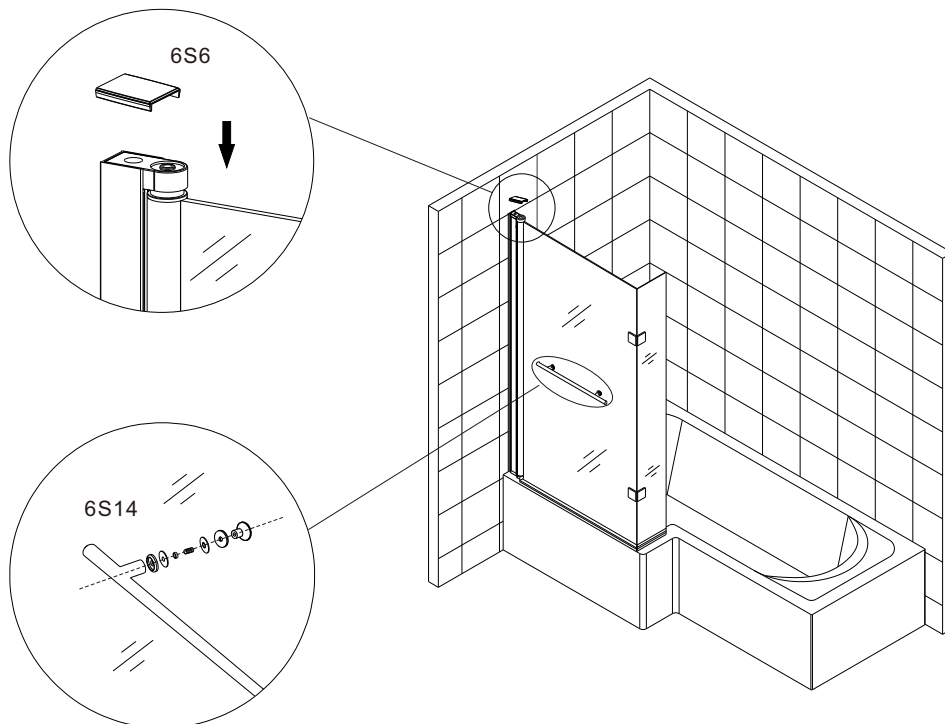


Caution: The triangle bubble should be mounted towards the inside of the bathtub.

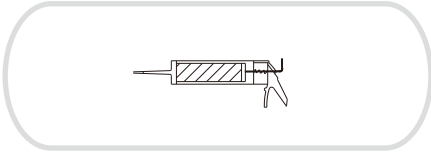
7.



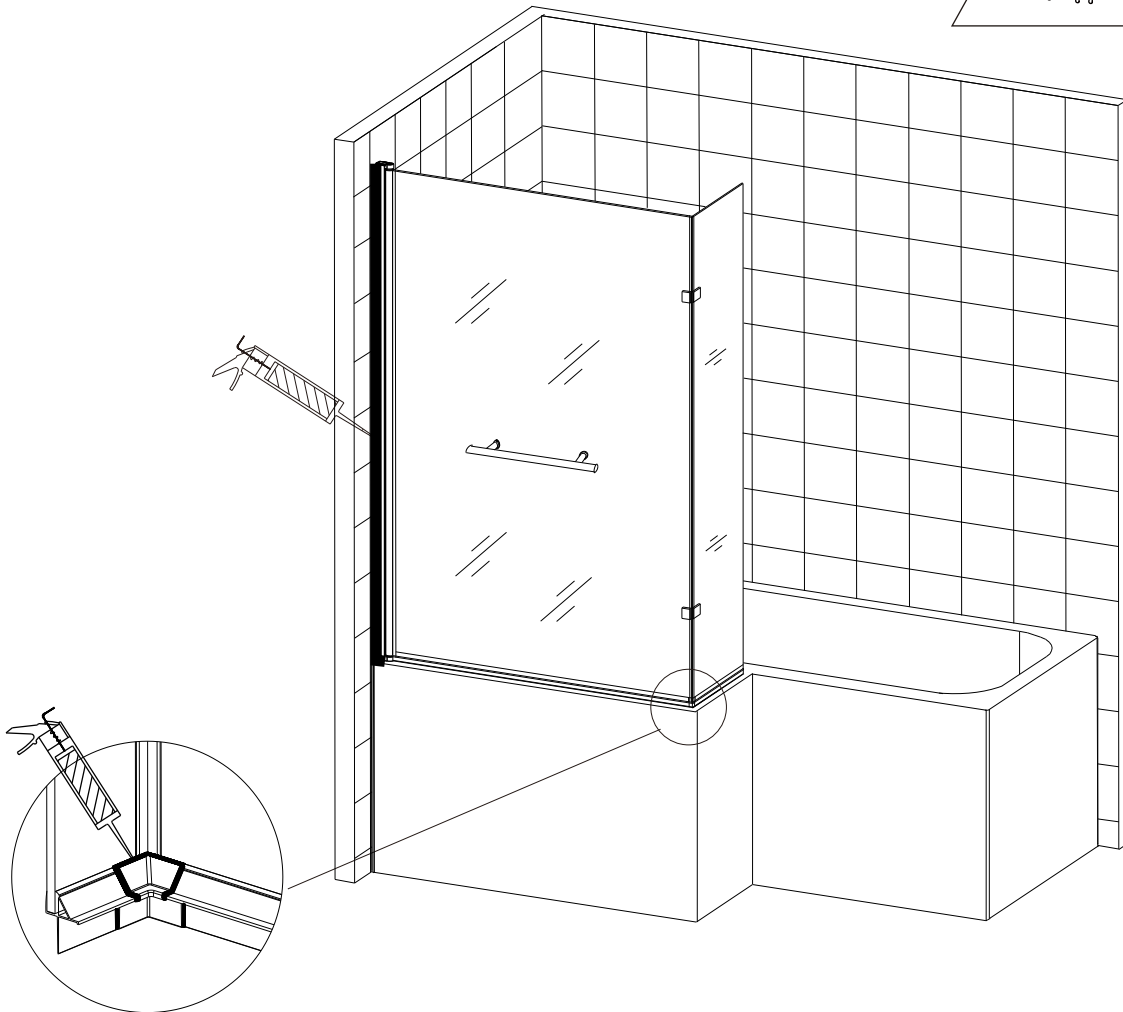
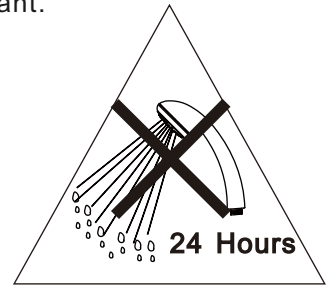
- Put the top cover 6S6 on top of wall profile.
- Mount the towel bar 6S14 on the glass panel.



8.



- From outside the enclosure, seal down the whole length of the joint between the wall profile and the wall, and the bath and glass. **Please apply silicone sealant in the bottom corner joint to the bottom anti-water sealers and vertical sealer on inside and outside as shown.** Please do not use showering within 24hours after silicone sealant.



Cleaning and Maintenance:

Please do not use abrasive or strong cleaning solution on the shower enclosure, such as alcohol, petroleum liquids or any other chemical cleaner with acidic contents.
Should there be any dirty stains on the shower enclosure, please clean it with a soft lint free cloth and warm soapy water. Please rinse it with clean warter afterwards.

We have taken great care to ensure that this product reaches you in perfect condition. However should any parts be damaged or missing, please contact your point of purchase. This does not affect your statutory rights. In addition, if you require replacement parts, your point of purchase will be happy to assist.