

SLIDING WETROOM, ENCLOSURE & DOOR

Note: This instruction shows the installation process for all of our EVO 8 configurations, please check below which pages are relevant to your configuration before commencing work:

Sliding Wetroom refer to pages 1-8 • Sliding Door Recess refer to pages 9-15

Sliding Door Enclosure refer to pages 16-24 • Aftercare refer to page 25

Tools Required (not supplied)



Drill



6mm Masonry Drill



Pencil



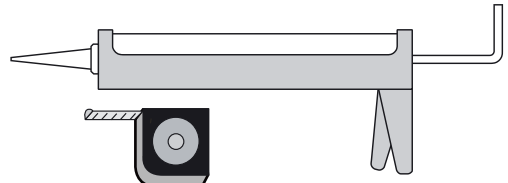
PH2 Screwdriver



2.75mm Drill bit

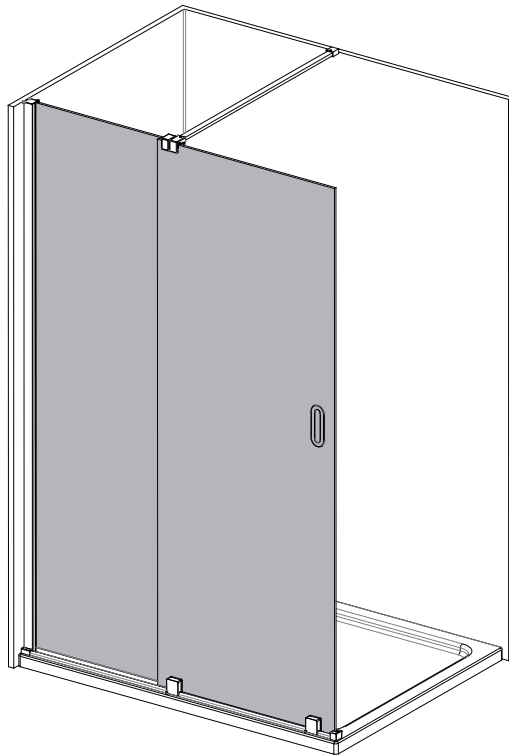


Spirit level



Tape Measure

Sealant Gun



Door Size	Fixed Panel Code	Door Panel Code
1000	174.W8650	174.W8241
1100	174.W8241	174.W8241
1200	174.W8241	174.W8651
1300	174.W8651	174.W8651
1400	174.W8651	174.W8653
1500	174.W8653	174.W8653
1600	174.W8653	174.W8654
1700	174.W8654	174.W8654
1800	174.W8654	174.W8655
1900	174.W8655	174.W8655
2000	174.W8655	174.W8656

ASSEMBLY INSTRUCTIONS IMPORTANT PLEASE READ

The product can be constructed either way up, for left or right hand opening.

These instructions and list of parts assume that installation is done against solid/tiled walls. Hollow or stud partition walls will require alternative fixings. Please consult with a reputable, qualified trades person.

Please check this product for damage prior to starting the installation. No claims can be made after the product has been fitted.

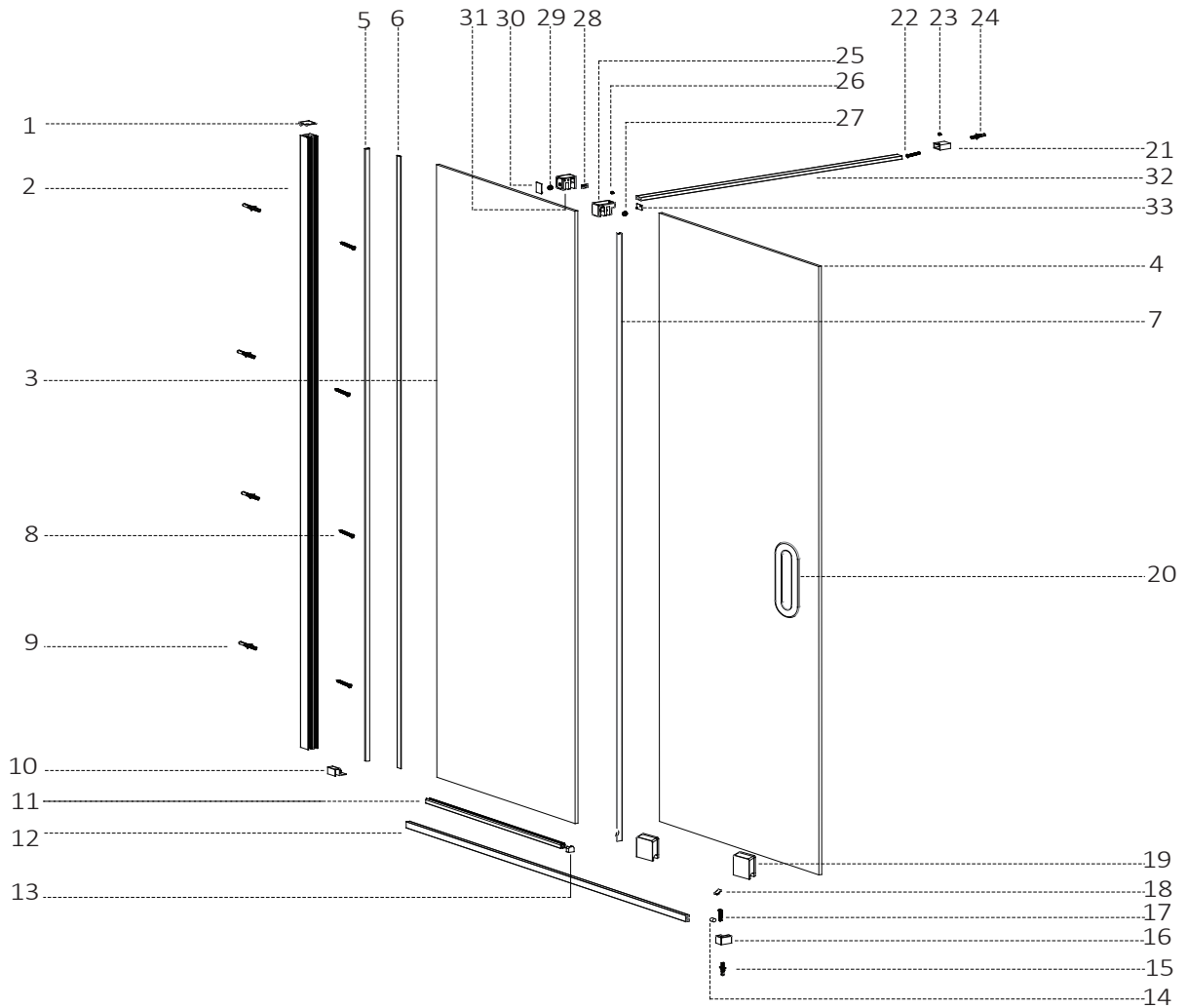
Please note the minimum and maximum adjustment sizes noted on the product brochures are based on perfectly plumb walls and trays.

IMPORTANT: If you are at all unsure of any part of the instructions shown in this document we recommend that you contact a reputable qualified trades person.

PLEASE ENSURE THAT YOUR TRAY IS LEVEL AND INSTALLED CORRECTLY AND FULLY TO THE TILES PRIOR TO FITTING OF THE ENCLOSURE.

SLIDING WETROOM INSTRUCTION

COMPONENTS AND BOX CONTENTS

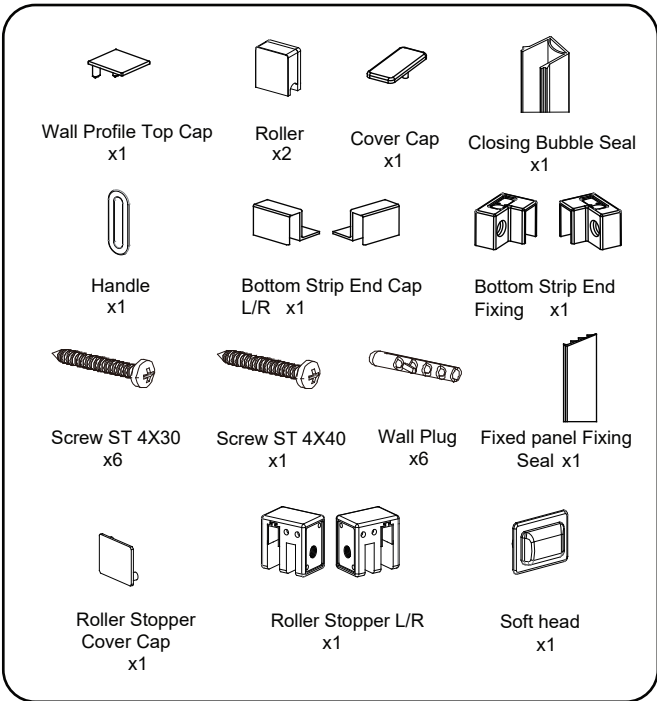
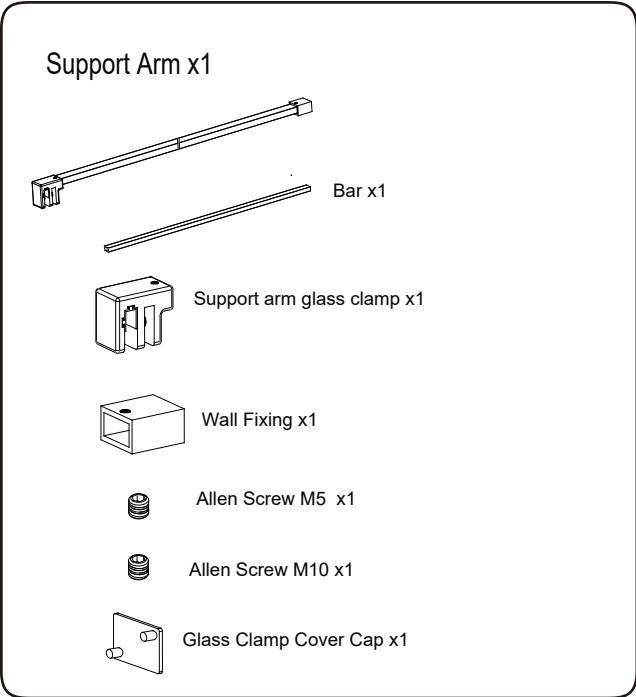


Box Contents

No.	Description	Qty	No.	Description	Qty
1	Wall Profile Top Cap	2	18	Bottom Rail End Fixing Screw Cap	1
2	Wall Profile	1	19	Roller Set	2
3	Fixed Panel	1	20	Handle	1
4	Door Panel	1	21	Support Arm Wall Fixing	1
5	Closing Bubble Seal	1	22	ST Screw 4x30	1
6	Fixing Seal	1	23	Allen Grub Screw M5x6	1
7	Vertical Seal(Optional)	1	24	Wall Plug	1
8	Wall Plug	4	25	Glass Clamp	1
9	ST Screw 4x30	4	26	Grub Screw M5x6	1
10	Bottom Rail End Cap (L/R)	2	27	Grub Screw M10 x 6	1
11	Bottom Strip	1	28	Soft Head	1
12	Bottom Rail	1	29	Grub Screw M10 x 6	1
13	Bottom Strip End Cap	1	30	Stopper Screw Cover	1
14	Bottom Rail End Fixing Soft Head	1	31	Roller Stopper(L/R)	2
15	Wall Plug	1	32	Support Arm Tube	1
16	Bottom Rail End Fixing(L/R)	2	33	Glass Clamp Screw Cap	1
17	ST Screw 4x30	1			

FIXING KIT COMPONENTS, SITE CONDITIONS SLIDING WETROOM

FIXING KIT



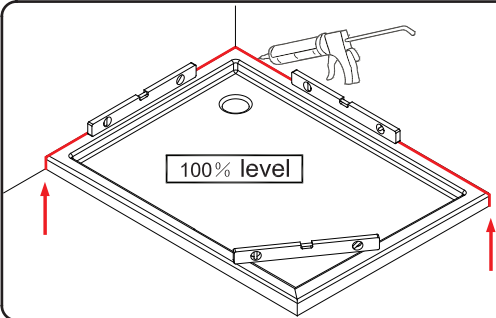
IMPORTANT - Missing Components

Please check this product for missing components prior to installation.

IMPORTANT - Installation site

1. Ensure the top surface of the shower tray on which the enclosure will be installed is level in every direction.
2. The tiles or other wall finishing should be effectively sealed at tray edges.
3. Tiles should extend at least to the corner of the tray and a minimum of 2.0 meters from the top of the tray.

PROCEDURE

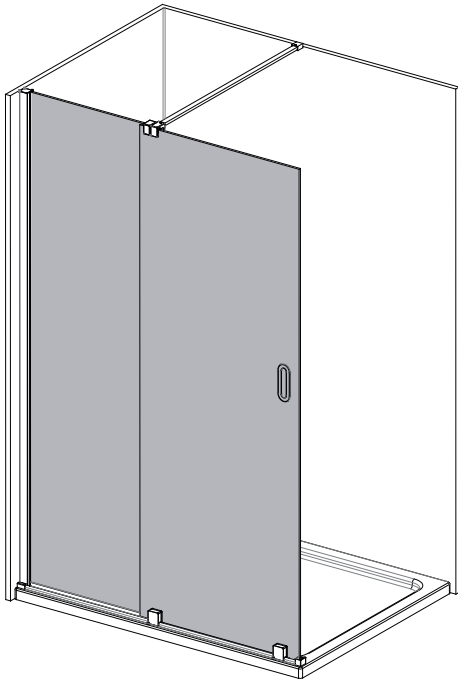


TRAY MUST BE 100% LEVEL IN ALL DIRECTIONS

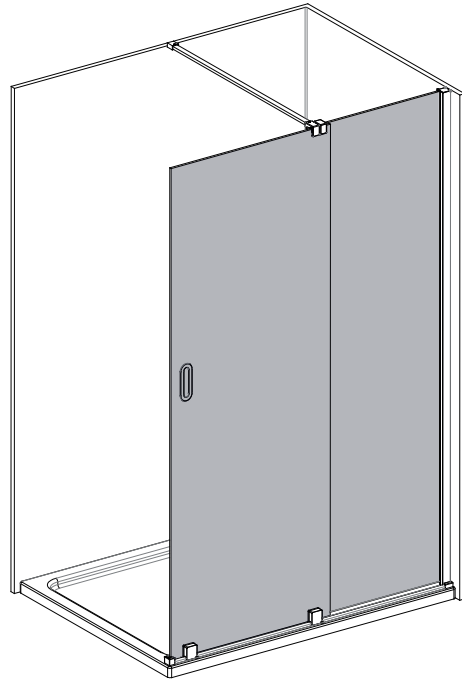
Ensure the shower tray is level in all directions and is properly sealed to the wall. The wall must be tiled down to the top edge of the tray. **Do not angle out bottom tile.**

TRAY MUST BE SEALED FULLY AROUND WHERE THE TRAY MEETS THE WALL.

Left Hand

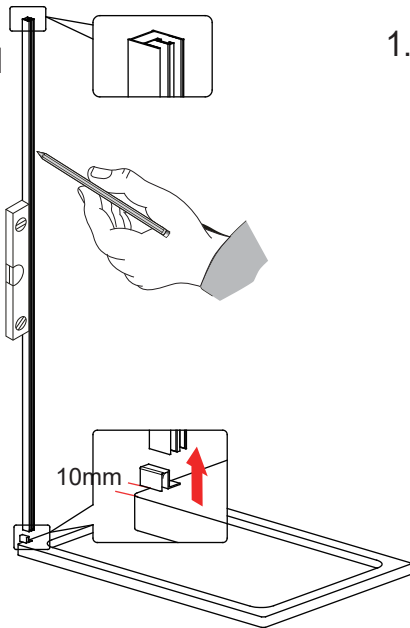


Right Hand

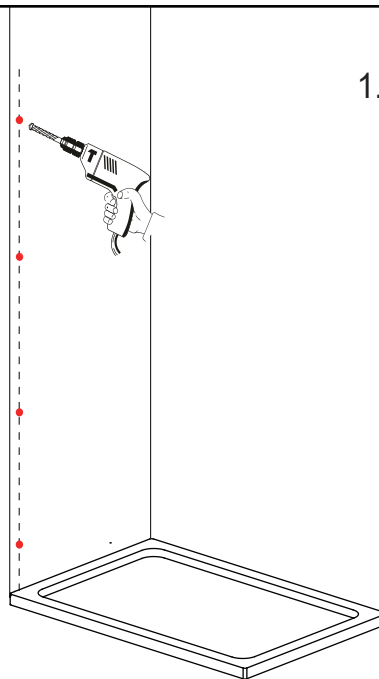


Note: The product can be constructed either way up, for left or right hand opening. This instruction is showing a Left hand opening

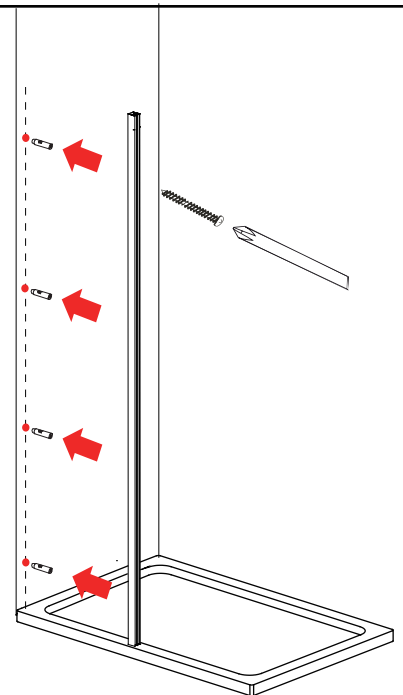
1.1



1.2



1.3

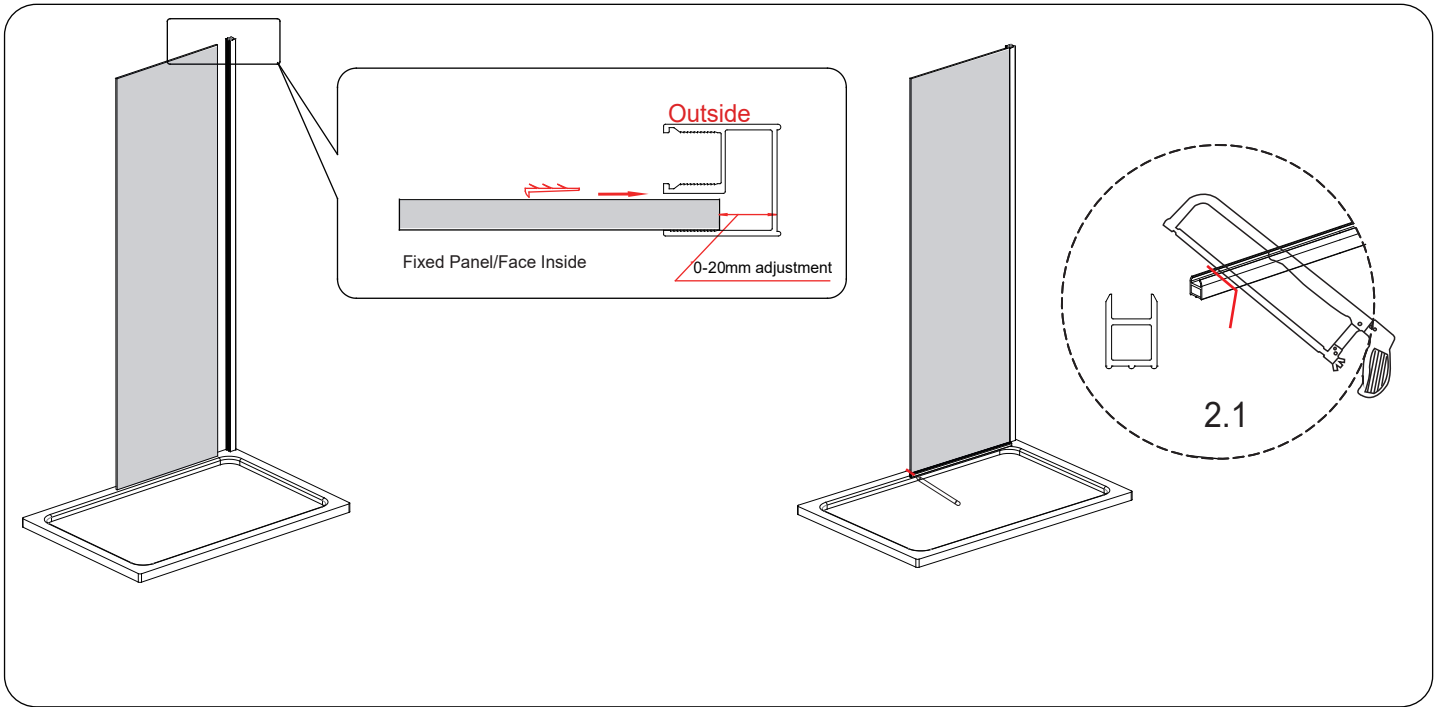


Step 1.1 Fit the Bottom Rail End Cap L/R (Part 10) on the wall profile (Part 2) from the bottom. Place the Wall Profile onto the tray, roughly 10mm away from the front edge of the end cap. Level the Wall Profile using a spirit level then mark the profile through the pre-drill holes on the Wall Profile. (Diagram 1.1).

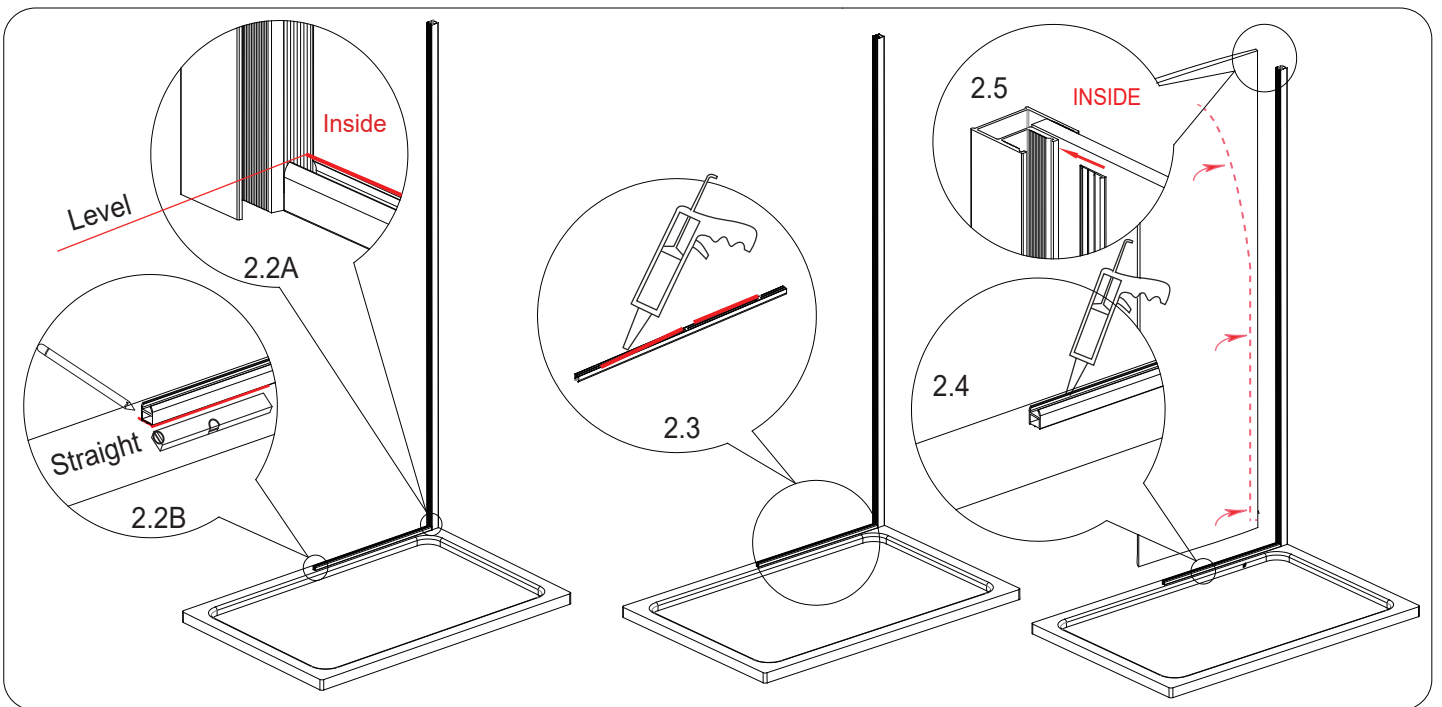
Note: Ensure the channel with the pre-drill holes is facing outwards when placing the Wall Profile onto the tray.

Step 1.2 Remove the wall profile and drill the marked points using a 6mm masonry drill bit. (Diagram 1.2)

Step 1.3 Insert wall plugs (Part 8) then secure the wall profile onto the wall using ST4X30 screws x4 (Part 9) (Diagram 1.3)



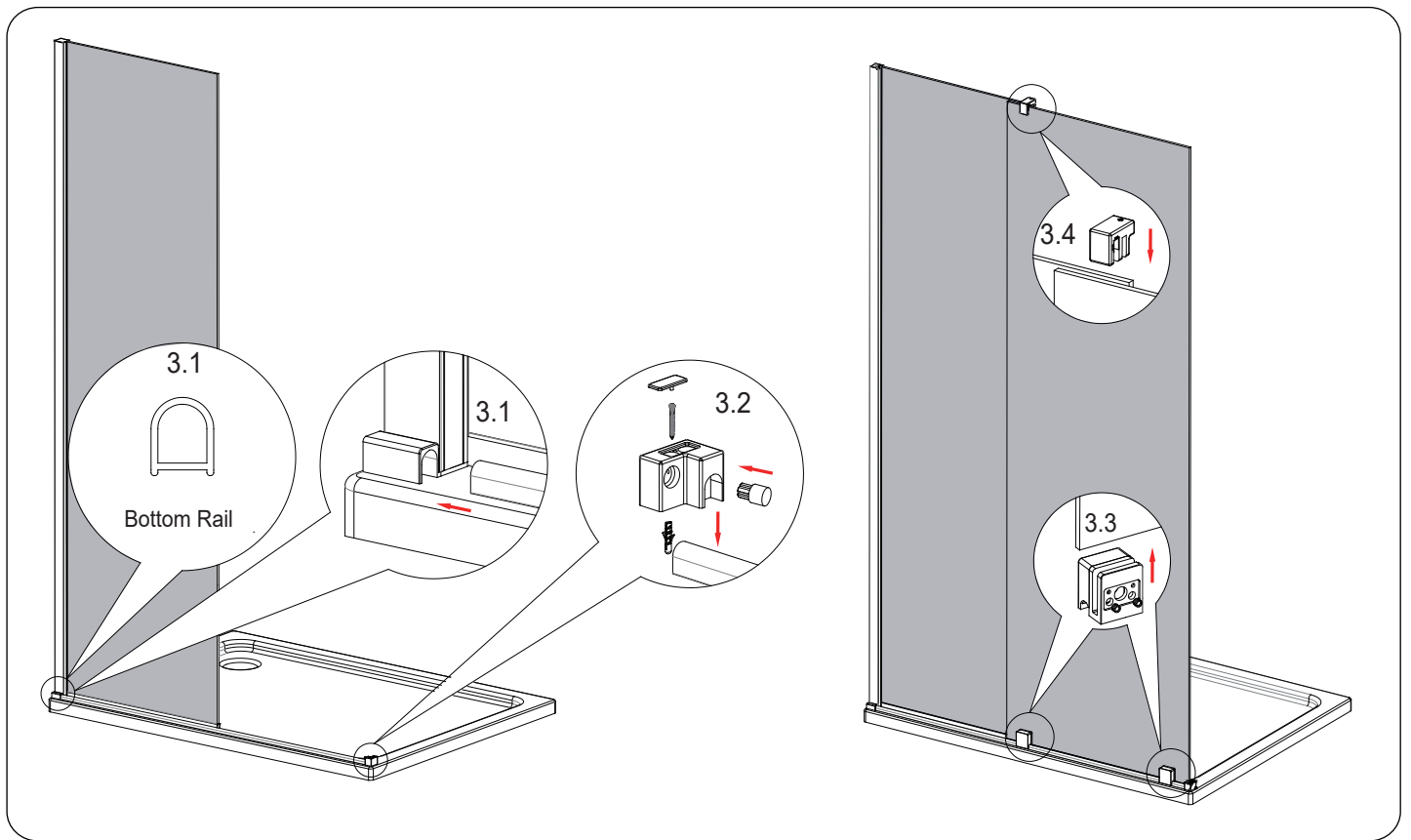
Step 2.1 Carefully lift the fixed panel (Part 3) and insert into the wall Profile groove, it allows 0-20mm for the adjustment. Once the fixed panel is in required adjustment, place the bottom strip (Part 11) onto the tray and mark a line onto the profile. Cut the profile through the marked line to get required length. (Diagram 2.1)



Step 2.2 Remove the fixed panel then replace the bottom strip (Part 11) onto the tray, ensure the bottom strip groove is level to the wall profile groove on the inside face (Diagram 2.2A). Mark the line on the tray for the bottom strip position once you have ensured it is straight. (Diagram 2.2B)

Step 2.3 Drop the silicone sealant onto the bottom side of the bottom strip, carefully place it onto the tray against the marked line. (Diagram 2.3)

Step 2.4 Drop the silicone sealant into the groove of the bottom strip (Diagram 2.4) then carefully lift the fixed panel and insert it into the bottom strip then push it onto the wall profile. After the fixed panel has been placed at the required position insert the fixing seal from top to bottom to secure the fixed panel onto the wall profile. (Diagram 2.5)



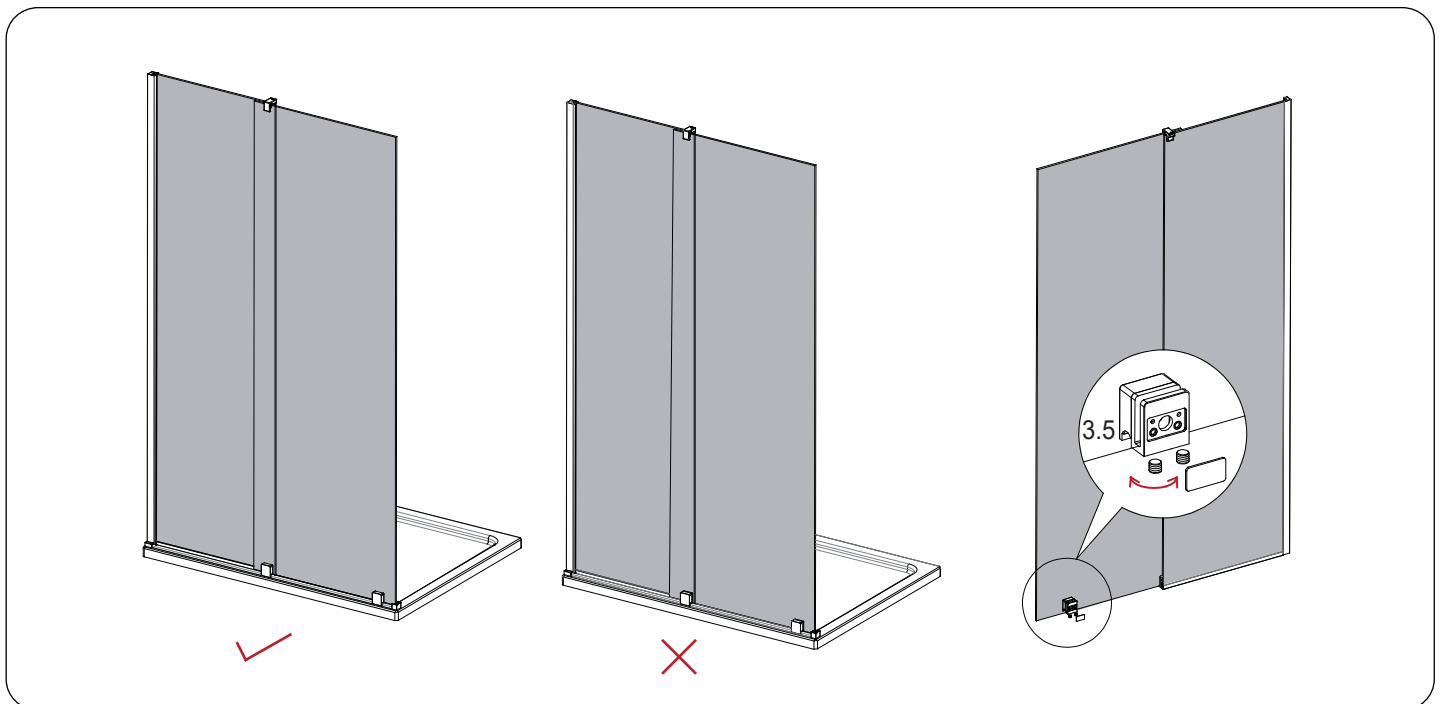
Step 3.1 Insert the bottom rail (Part 12) into the end cap (Part 10)(Diagram 3.1)

Step 3.2 Ensure the bottom rail is level then secure it onto the tray using the bottom rail end fixing(Part 16) and screw ST4x30(part 17).Then insert the black soft head into the hole on the bottom rail end fixing(Diagram 3.2).

Note:You need to cut the bottom rail to get the required length.

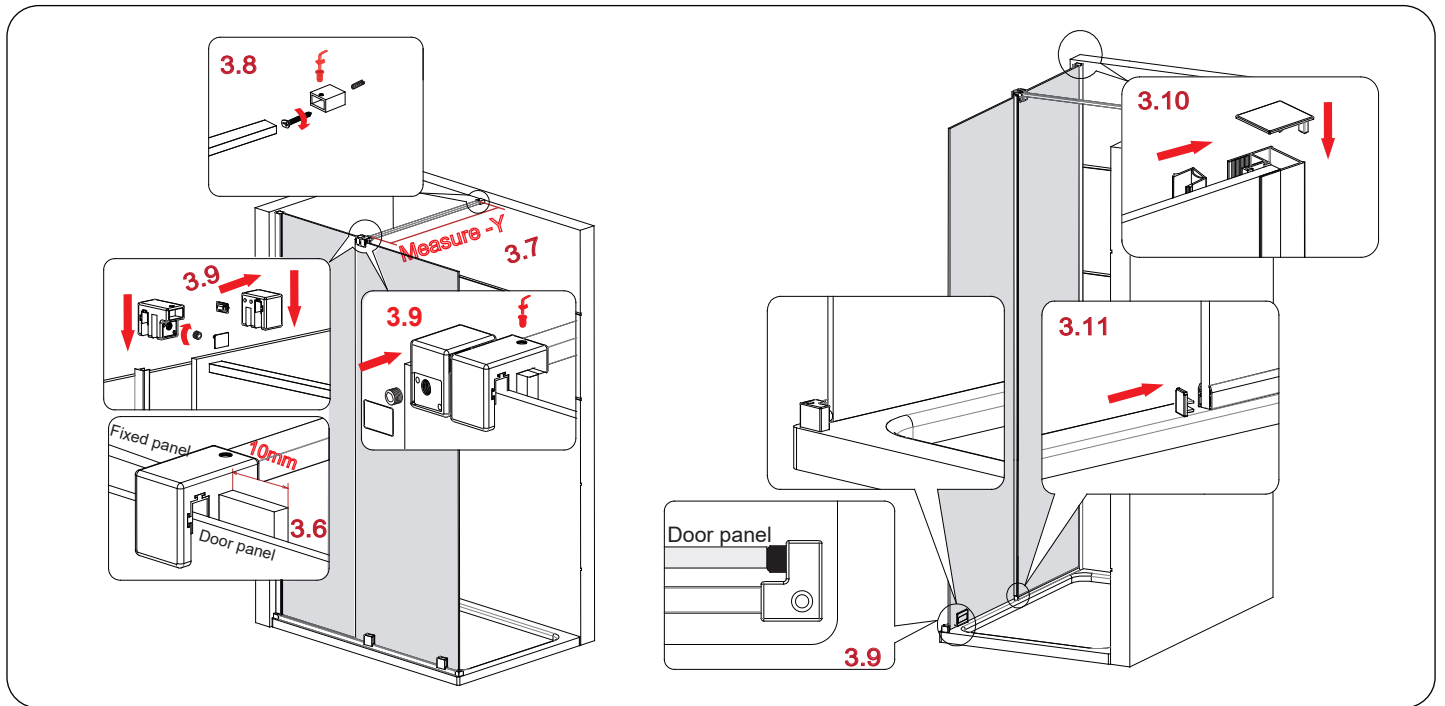
Step 3.3 Ensure the gasket has been placed inside the roller then fit it to the door panel from the bottom, roughly the roller should be about 50mm to the glass end. Ensure the soft head is attached on the grub screws then attach the roller together with the glass panel.

Step 3.4 Carefully lift the door panel onto the bottom rail,then fit the glass clamp(Part 25) to hold the fixed panel and door panel in place.



Step 3.5 Check the door to make sure the door panel is level with the fixed panel. If not remove the door panel and loosen the fixing grub screws , then raise or drop the door panel by tighten or loosening the grub screws pre-fitted at the bottom of the roller. Once the door panel is in the perfect position fit the roller screws caps onto the roller. (Diagram 3.5)

Tips:If the door panel does not run smoothly please check that the bottom rail is 100% straight,and ensure that the wall profile is 100% level.



Step 3.6 Ensure the glass clamp is in about 10mm away from the fixed panel edge(Diagram 3.6) then attach it onto the fixed panel using M10 x6 grub screw(Part 27)

Step 3.7 Fit the support arm wall fixing onto the support arm bar and place it onto the wall in required position.Measure the dimension from the glass clamp to the wall fixing to get dimension Y.Cut the support arm to the required length X according to the formula $X=(L-Y)+25\text{mm}$ (L is the original length of the support arm bar,1057mm)

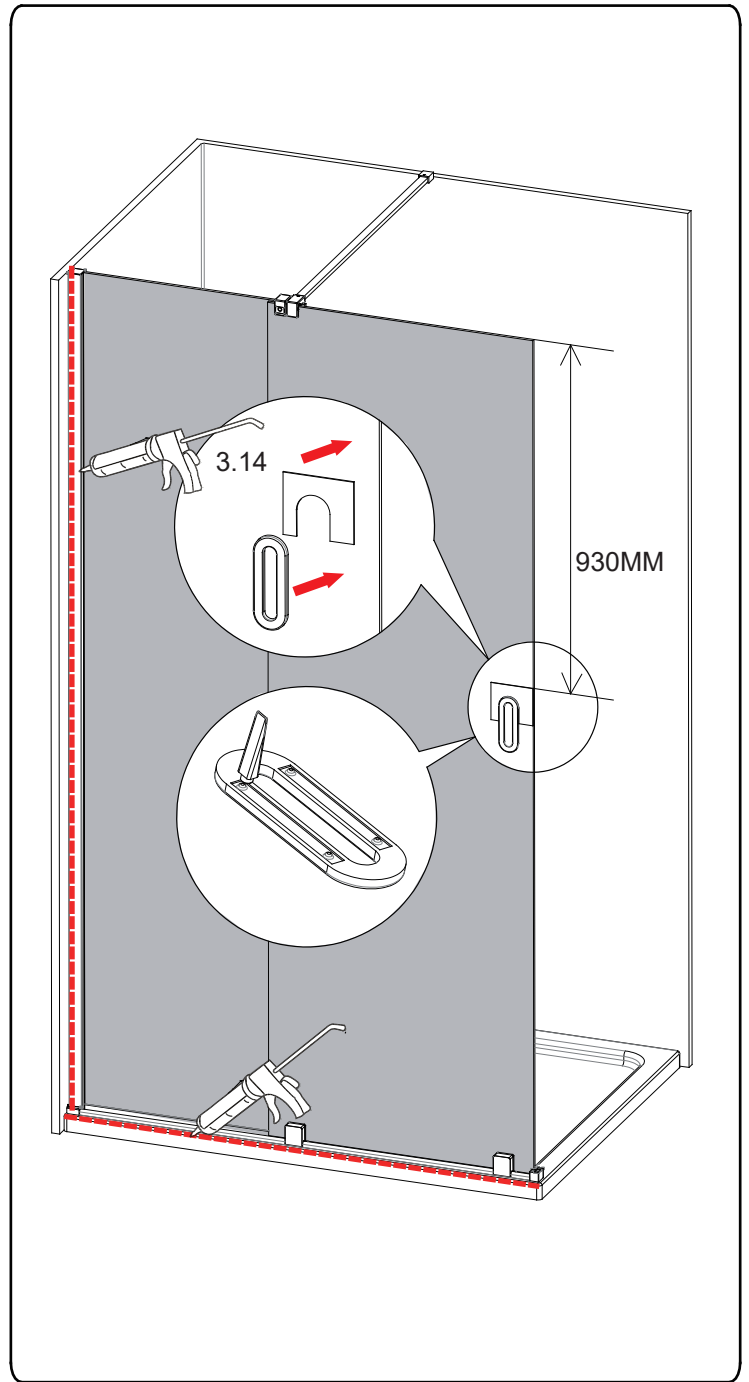
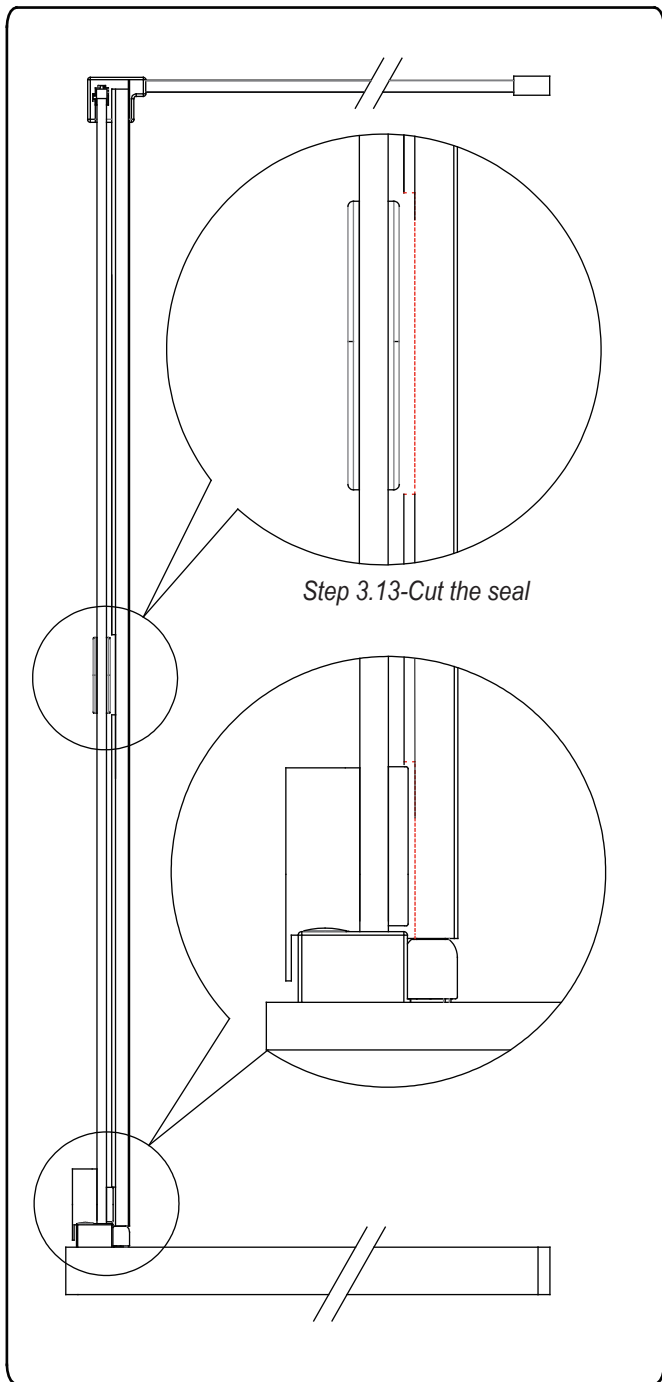
Step 3.8 Fit the support arm wall fixing onto the support arm bar before inserting the support arm bar onto the glass clamp, move the wall fixing to the wall and level the support arm bar, mark the position of the wall fixing onto the wall.Drill through the marked position on the wall using a 6mm masonry drill bit and insert the wall plug(part 24).Fix the wall fixing onto the wall using screw ST 4X30(Diagram 3.8). Insert the support arm bar to the wall fixing,pull the bar out from the wall fixing to insert into the glass clamp, then secure the support arm bar together with the glass clamp and wall fixing using M5 x6 grub screws.

Step 3.9 Fit a soft head (part 28) onto the roller stopper (part 31),then slide the door panel to ensure it touches the soft head on the bottom rail end fixing (Diagram 3.9), fit the roller stopper onto the door panel, ensure the soft head on the roller stopper touches the glass clamp then secure the roller stopper onto the door panel using M10x6 grub screw (Diagram 3.9).

Step 3.10 Press the closing bubble seal (Part 5) into the wall profile channel, then fit the wall profile top cap(part 1) onto the wall profile(part 2)(Diagram 3.10).

Step 3.11 Fit the bottom strip end cap(part 13) onto the bottom strip.(Diagram 3.11)

Step 3.12 Fit the cover cap onto the roller stopper and glass clamp.




Step 3.13 We do not recommend fitting the vertical seal (Part 7) onto the fixed panel as the overlap between the fixed panel and door panel will be sufficient to avoid any leaks.If you do decide to fit vertical seal please ensure you cut it as detailed in diagram 3.13. to avoid any obstruction to the handle or rollers.

Step 3.14 Remove the 3M adhesive tape from the handle fixing template then stick it onto the glass, the template should be flush with the side of the glass edge , and 930mm away from top edge. Remove the 3M adhesive tape from the handle , squeeze the glue(supplied) into the groove of the handle , then fit it onto the door panel against the template and hold it for 30-60 seconds then use the plastic clip to hold it .Use the same method to fit the inside handle part and then use the plastic clip to attach the inside handle part , outside handle part and door panel together.

Note:Keep the plastic clip in position for 36 hours until the glue is fully dry.

24 HRS



DO NOT USE THE ENCLOSURE FOR 24 HOURS AFTER SEALING

Applying Silicone Sealant

Sealing Inside

Seal from the top of the wall profile to the bottom on the **INSIDE** between the wall profile and the wall.

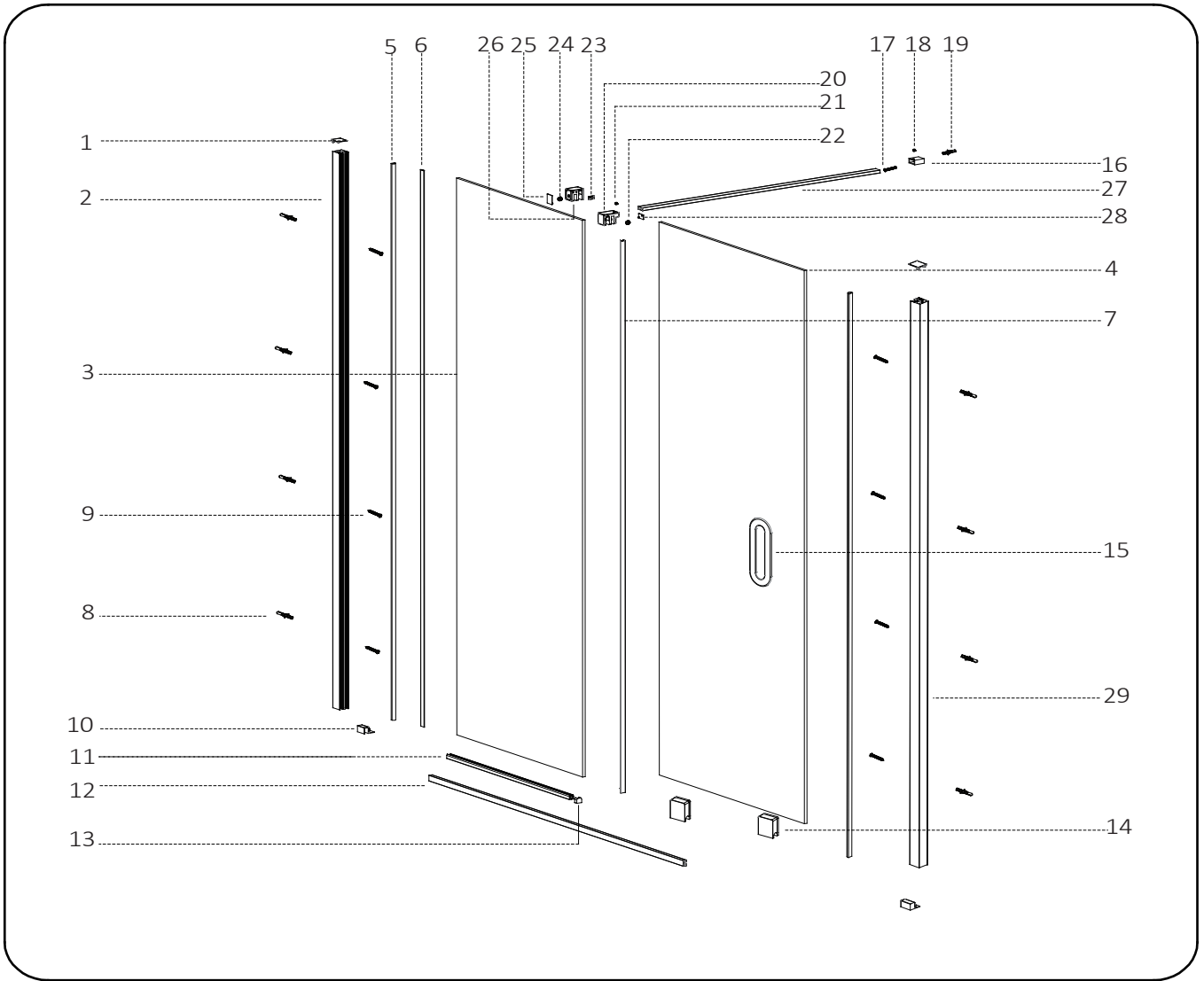
IMPORTANT: Do not apply sealant on inside of the tray.

Sealing Outside

Seal from the top of the wall profile to the bottom between the wall profile and tiles. Also seal along the bottom where the frame meets the tray. Seal the joints between the bottom profile and any upright profiles.

SLIDING DOOR RECESS INSTRUCTION

COMPONENTS AND BOX CONTENTS

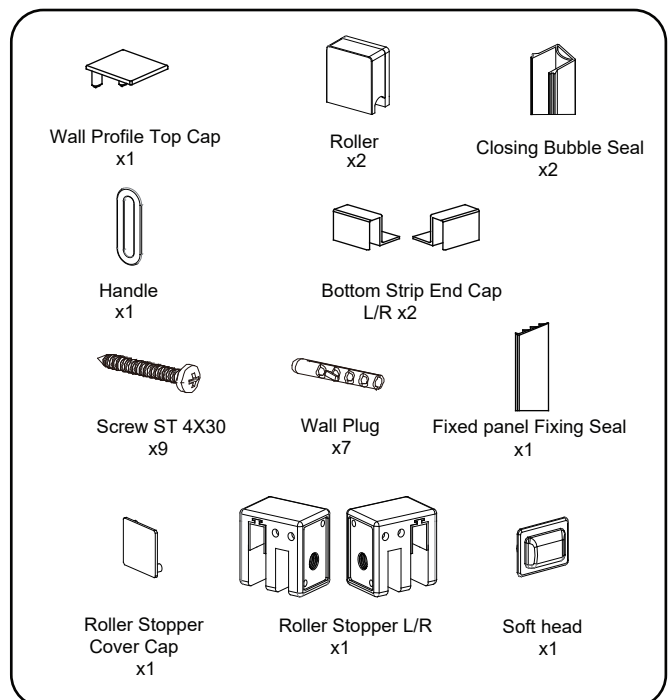
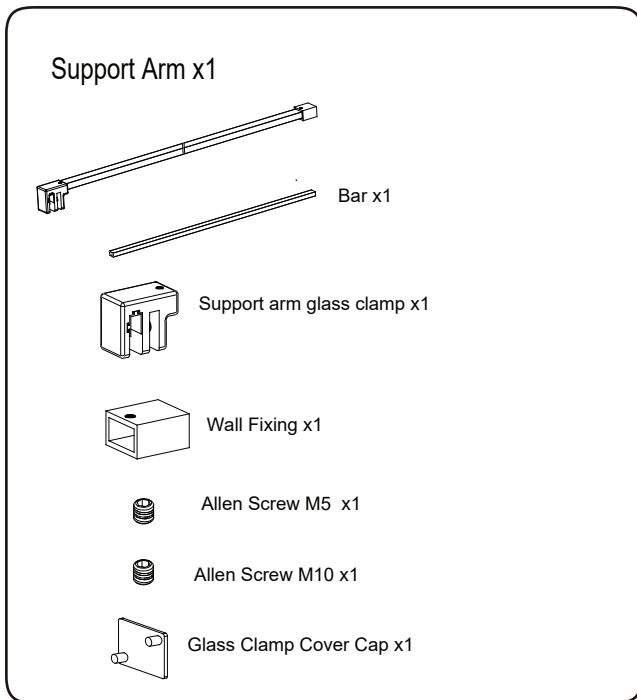


Box Contents

No.	Description	Qty	No.	Description	Qty
1	Wall Profile Top Cap	2	16	Support Arm Wall Fixing	1
2	Fixed Panel Wall Profile	2	17	ST Screw 4x30	1
3	Fixed Panel	1	18	Allen Grub Screw M5x6	1
4	Door Panel	1	19	Wall Plug	1
5	Closing Seal	2	20	Glass Clamp	1
6	Fixed Panel Fixing Seal	1	21	Grub Screw M5x6	1
7	Vertical Seal(Optional)	1	22	Grub Screw M10x6	1
8	Wall Plug	8	23	Soft Head	1
9	ST Screw 4x30	8	24	Grub Screw M10x6	1
10	Bottom Rail End Cap (L/R)	2	25	Stopper Screw Cover	1
11	Bottom Strip	1	26	Roller Stopper(L/R)	1
12	Bottom Rail	1	27	Support Arm Tube	1
13	Bottom Strip End Cap	1	28	Glass Clamp Screw Cap	1
14	Roller Set	2	29	Closing wall profile	1
15	Handle	1			

FIXING KIT COMPONENTS, SITE CONDITIONS SLIDING DOOR

FIXING KIT



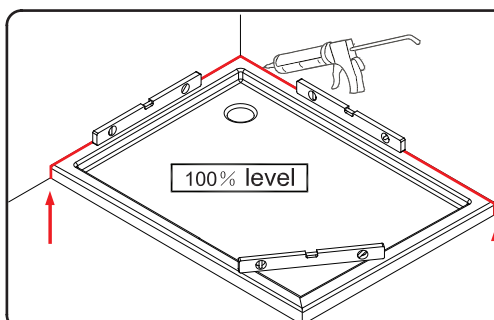
IMPORTANT - Missing Components

Please check this product for missing components prior to installation.

IMPORTANT - Installation site

1. Ensure the top surface of the shower tray on which the enclosure will be installed is level in every direction.
2. The tiles or other wall finishing should be effectively sealed at tray edges.
3. Tiles should extend at least to the corner of the tray and a minimum of 2.0 meters from the top of the tray.

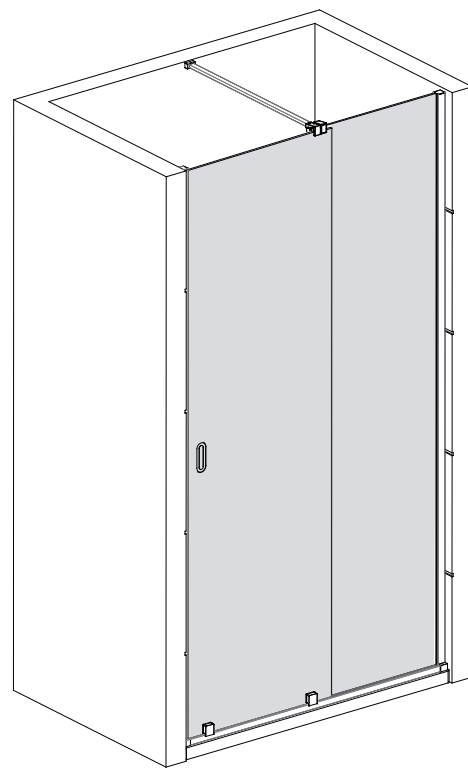
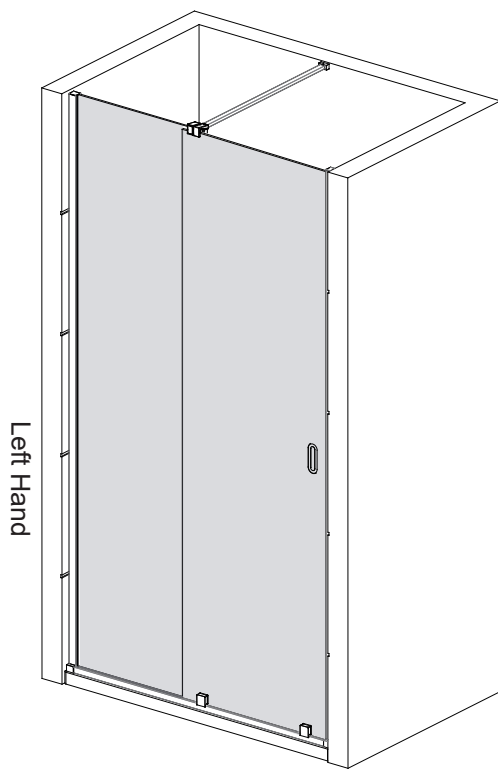
PROCEDURE



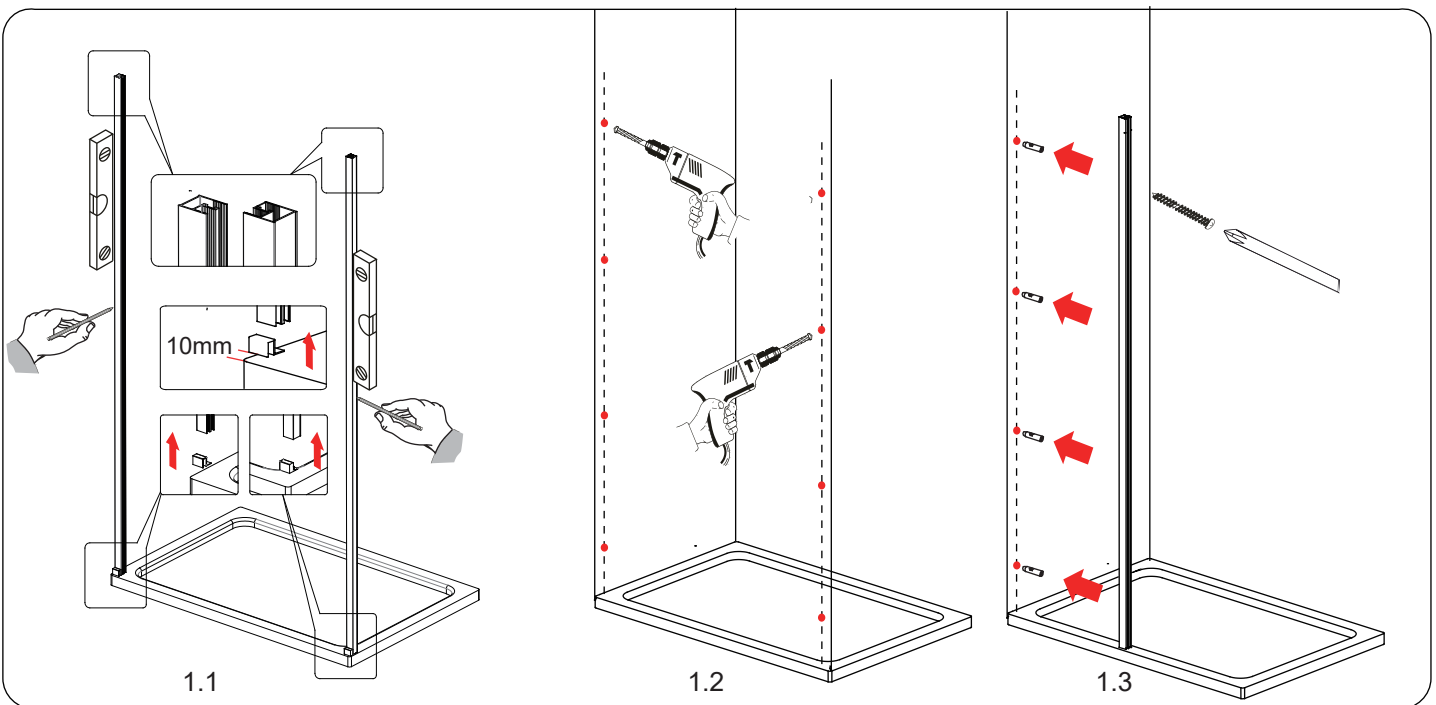
TRAY MUST BE 100% LEVEL IN ALL DIRECTIONS

Ensure the shower tray is level in all directions and is properly sealed to the wall. The wall must be tiled down to the top edge of the tray. **Do not angle out bottom tile.**

TRAY MUST BE SEALED FULLY AROUND WHERE THE TRAY MEETS THE WALL.



Note: The product can be constructed either way up, for left or right hand opening. This instruction is showing a Left hand opening. **IMPORTANT: if you are fitting the optional closing seal please refer to the steps on page 25.**

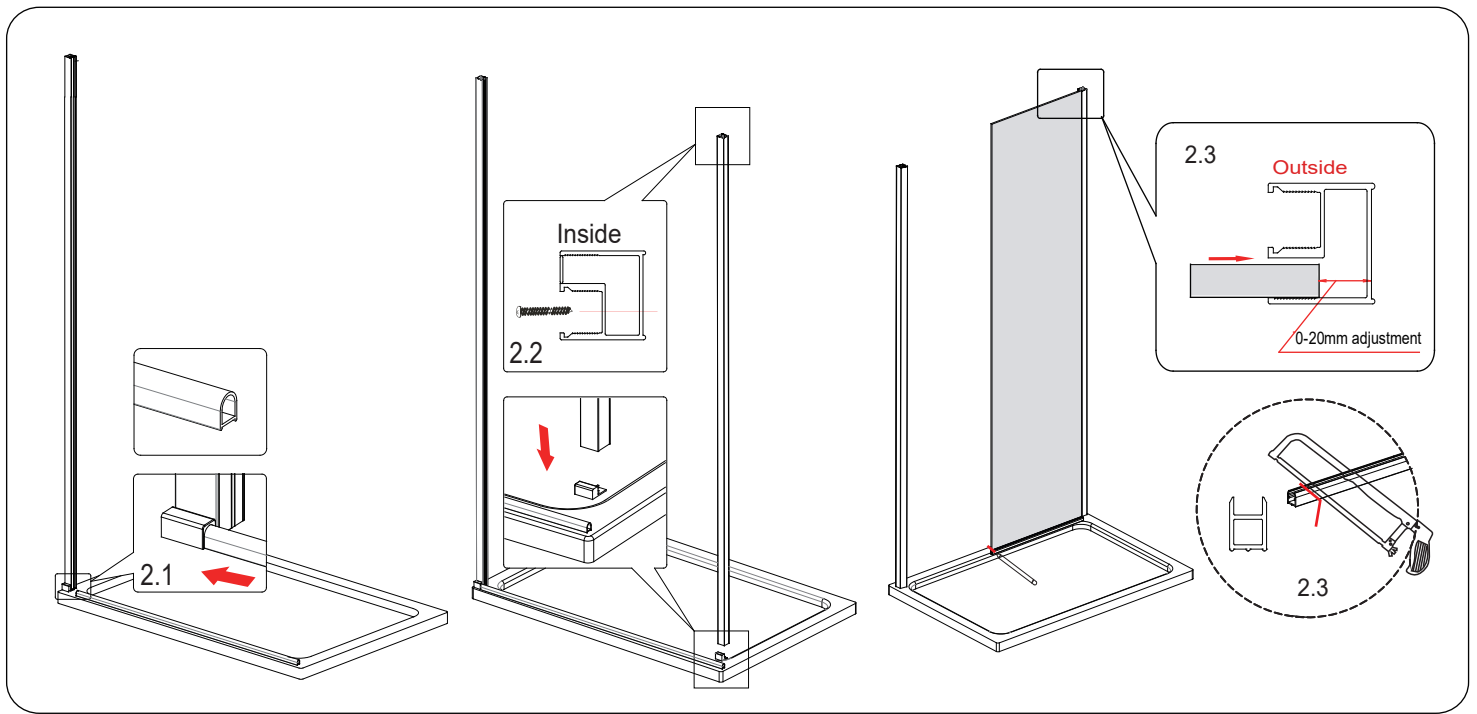


Step 1.1 Fit the Bottom Rail End Cap L/R (Part 10) on the fixed panel wall profile (Part 2) and closing wall profile (Part 29) from the bottom. Place the wall profiles onto the tray, rough 10mm away from the front edge of the end cap. Level the wall profiles using a spirit level then mark the profile through the pre-drill holes on the wall profiles. (Diagram 1.1)

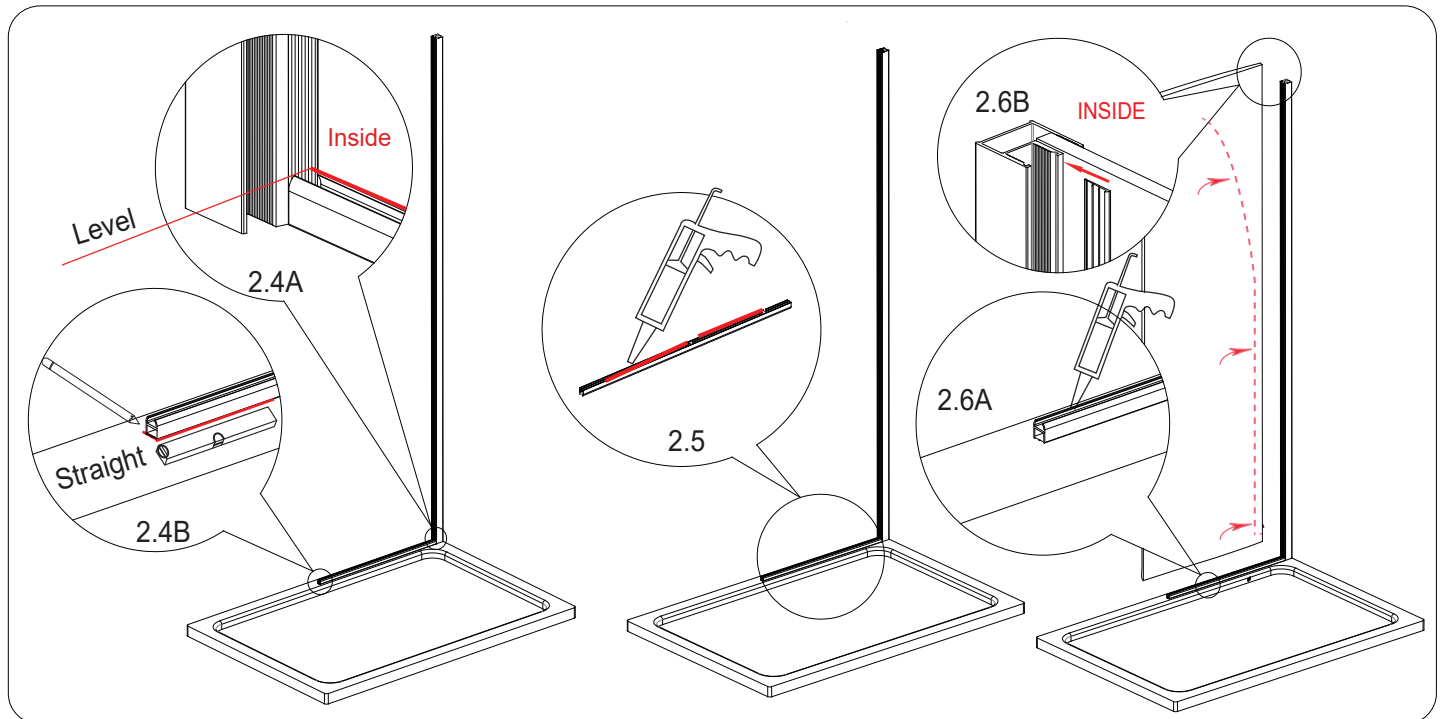
Note: Ensure the channel with the pre-drill holes is facing outwards when placing the Wall Profile onto the tray.

Step 1.2 Remove the wall profiles and drill the marked points using a 6mm masonry drill bit. (Diagram 1.2)

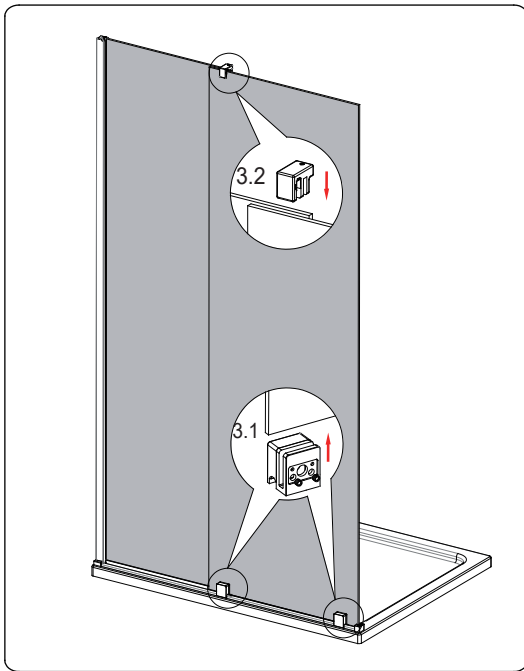
Step 1.3 Insert wall plugs (Part 8) then secure the fixed panel wall profile onto the wall using ST4X30 screws x4 (Part 9) (Diagram 1.3)



- Step 2.1** Cut the bottom rail (part 12) to the required length then insert it into the end cap L(Part 10) fitted on the fixed panel wall profile. (Diagram 2.1)
- Step 2.2** Press the bottom strip end cap R(part 10) onto the closing profile (part 29),then sit the closing wall profile onto the bottom rail against the holes drilled on the wall. Secure the closing wall profile onto the wall using ST 4x30 screws x4(Part 9).
- Step 2.3** Carefully lift the fixed panel (Part 3) and insert into the wall Profile groove,it allows 0-20mm for the adjustment. Once the fixed panel is in required adjustment, place the bottom strip(Part 11) onto the tray and mark a line onto the profile. Cut the profile through the marked line to get required length.(Diagram 2.3)

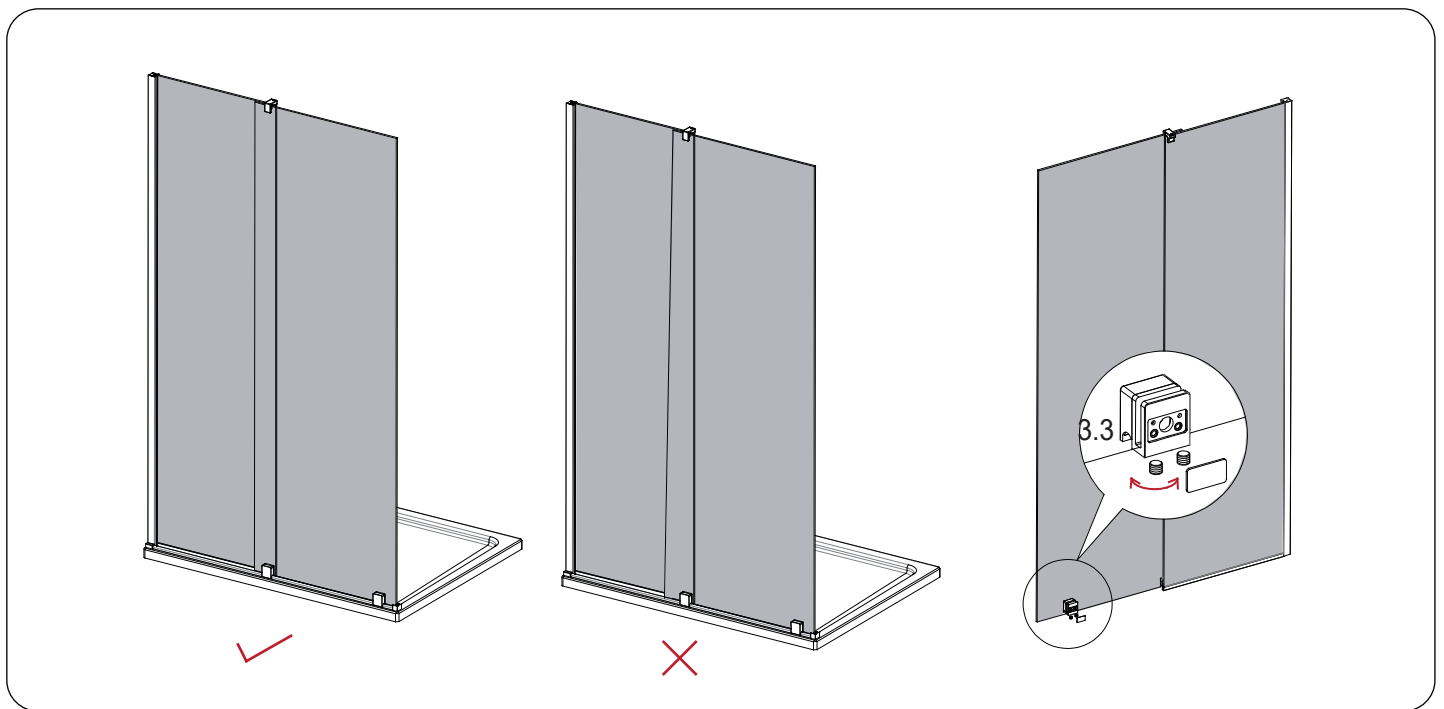


- Step 2.4** Remove the fixed panel then replace the bottom strip (Part 11) onto the tray, ensure the bottom strip groove is level to the wall profile groove on the inside face (Diagram 2.4A). Mark the line on the tray for the bottom strip position once you have ensured it is straight. (Diagram 2.4B)
- Step 2.5** Drop the silicone sealant onto the bottom side of the bottom strip,then carefully place it onto the tray against the marked line.(Diagram 2.5)
- Step 2.6** Drop the silicone sealant into the groove of the bottom strip(Diagram 2.6A) then carefully lift the fixed panel and insert it into the bottom strip then push it onto the fixed panel wall profile.After the fixed panel has been placed at the required position insert the fixing seal from top to bottom to secure the fixed panel onto the wall profile (Diagram 2.6B).



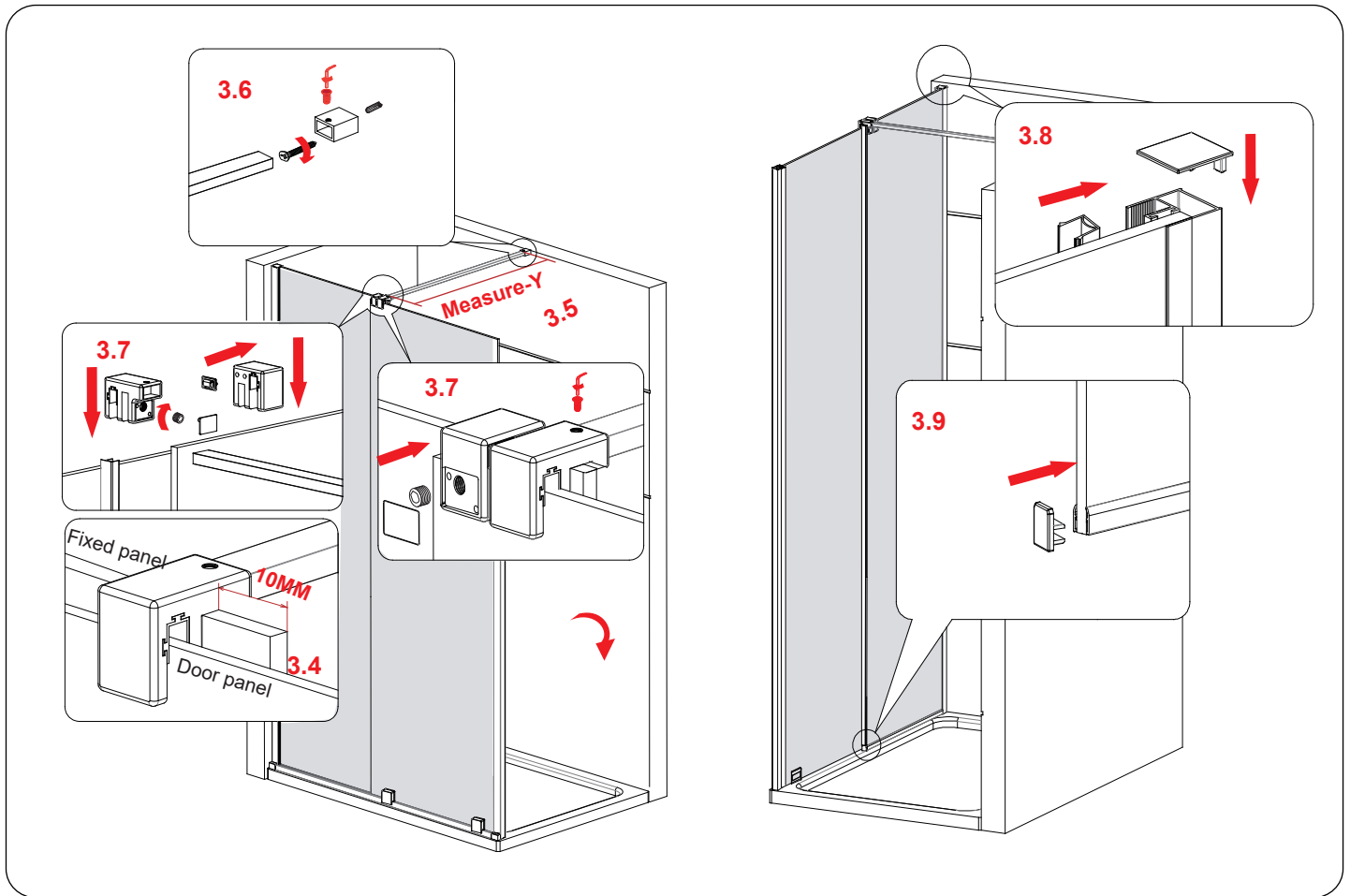
Step 3.1 Ensure the gasket has been placed inside the roller then fit it to the door panel from the bottom , roughly the roller should be about 50mm to the glass end. Ensure the soft head is attached on the grub screws then attach the roller together with the glass panel (Diagram 3.1).

Step 3.2 Carefully lift the door panel and assemble onto the bottom rail, fit the glass clamp((part 20) to hold the fixed panel and door panel in place.

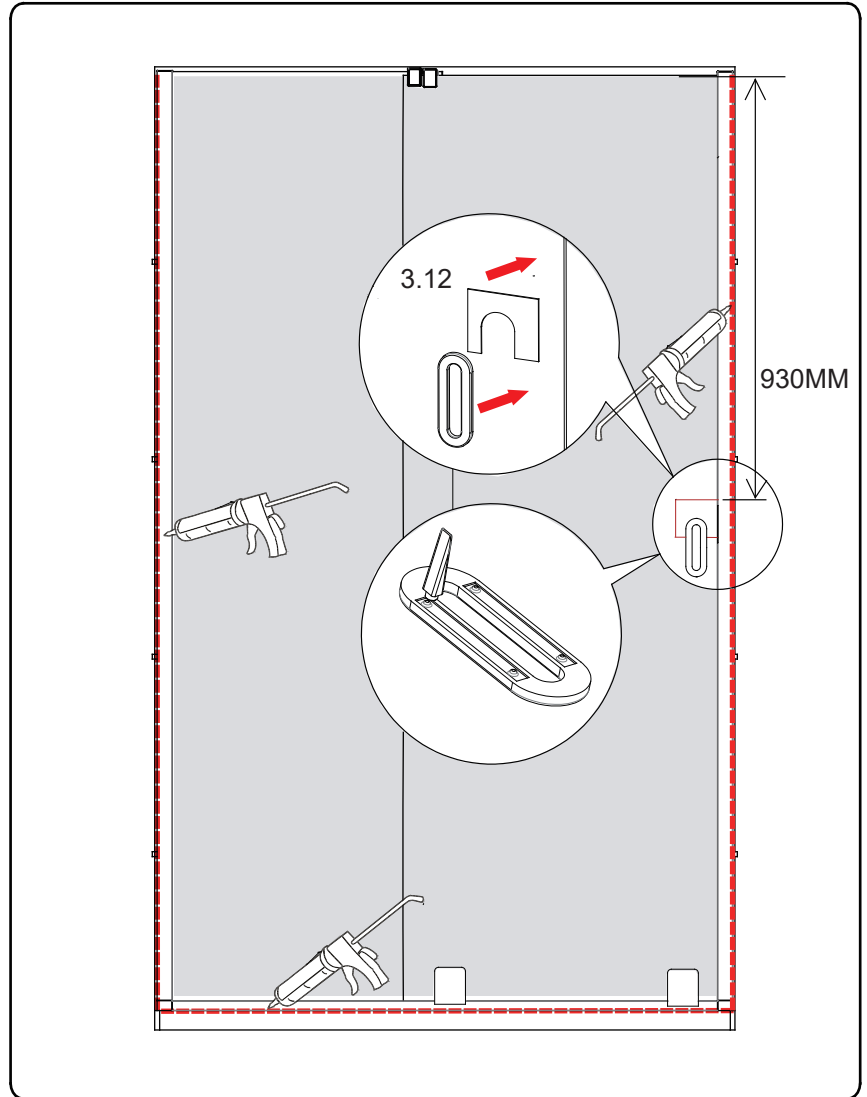
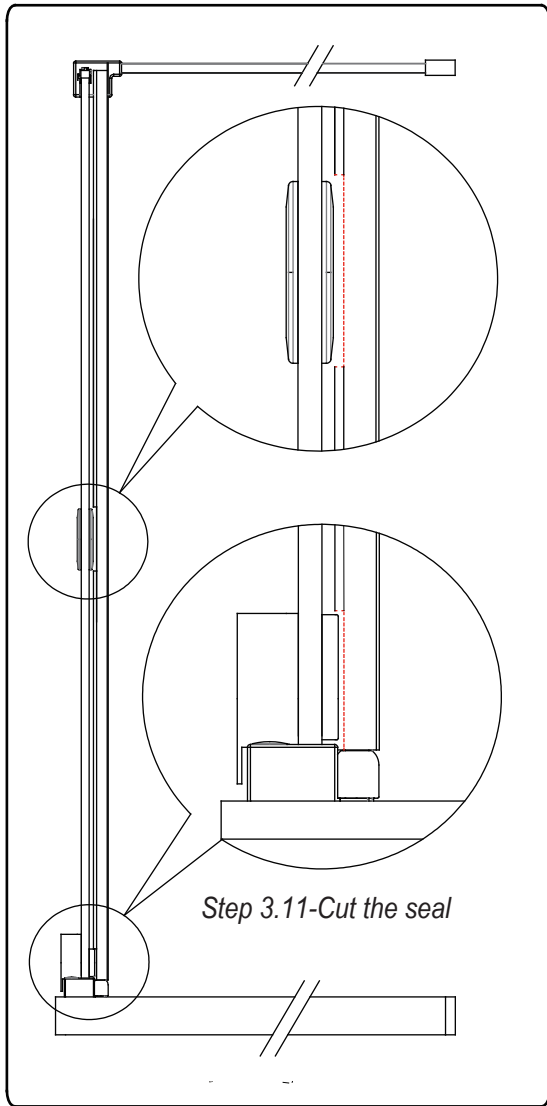


Step 3.3 Check the door to make sure the door panel is level with the fixed panel. If not remove the door panel and loosen the fixing grub screws , then raise or drop the door panel by tightening or loosening the grub screws pre-fitted at the bottom of the roller. Once the door panel is in the perfect position fit the roller screws caps onto the roller. (Diagram 3.5)

Tips:If the door panel does not run smoothly please check that the bottom rail is 100% straight,and ensure that the wall profile is 100% level.



- Step 3.4** Ensure the glass clamp is in about 10mm away from the fixed panel edge(Diagram 3.4) then attach it onto the fixed panel using M10 x6 grub screw(Part 24)
- Step 3.5** Fit the support arm wall fixing onto the support arm bar and place it onto the wall in required position.Measure the dimension from the glass clamp to the wall fixing to get dimension Y.Cut the support arm to the required length X according to the formula $X=(L-Y)+25\text{mm}$ (L is the original length of the support arm bar,1057mm)
- Step 3.6** Fit the support arm wall fixing onto the support arm bar before inserting the support arm bar onto the glass clamp, move the wall fixing to the wall and level the support arm bar, mark the position of the wall fixing onto the wall.Drill through the marked position on the wall using a 6mm masonry drill bit and insert the wall plug(part 19).Fix the wall fixing onto the wall using screw ST 4X30(Diagram 3.6).
- Step 3.7** Insert the support arm bar to the wall fixing,pull the bar out from the wall fixing to insert into the glass clamp, then secure the support arm bar together with the glass clamp and wall fixing using M5 x6 grub screws. Fit a soft head (part 23) onto the roller stopper (part 26),then slide the door panel to ensure it runs into the closing wall profile fully,fit the roller stopper onto the door panel, ensure the soft head on the roller stopper touches the glass clamp then secure the roller stopper onto the door panel using M10x6 grub screw(Diagram 3.7)
- Step 3.8** Press the closing seal (Part 5) into the fixed panel wall profile and closing wall profile,then fit the wall profile top caps (Diagram 3.8)
- Step 3.9** Fit the bottom strip end cap(part 13) onto the bottom strip.(Diagram 3.9)
- Step 3.10** Fit the cover cap onto the roller stopper and glass clamp.




Step 3.11 We do not recommend fitting the vertical seal (Part 7) onto the fixed panel as the overlap between the fixed panel and door panel will be sufficient to avoid any leaks.If you do decide to fit vertical seal please ensure you cut it as detailed in diagram 3.11. to avoid any obstruction to the handle or rollers.

Step 3.12 Remove the 3M adhesive tape from the handle fixing template then stick it onto the glass, the template should be flush with the side of the glass edge , and 930mm away from top edge. Remove the 3M adhesive tape from the handle , squeeze the glue(supplied) into the groove of the handle , then fit it onto the door panel against the template and hold it for 30-60 seconds then use the plastic clip to hold it .Use the same method to fit the inside handle part and then use the plastic clip to attach the inside handle part , outside handle part and door panel together.

Note:Keep the plastic clip in position for 36 hours until the glue is fully dry.

24 HRS



DO NOT USE THE ENCLOSURE FOR 24 HOURS AFTER SEALING

Applying Silicone Sealant

Sealing Inside

Seal from the top of the wall profile to the bottom on the **INSIDE** between the wall profile and the wall.

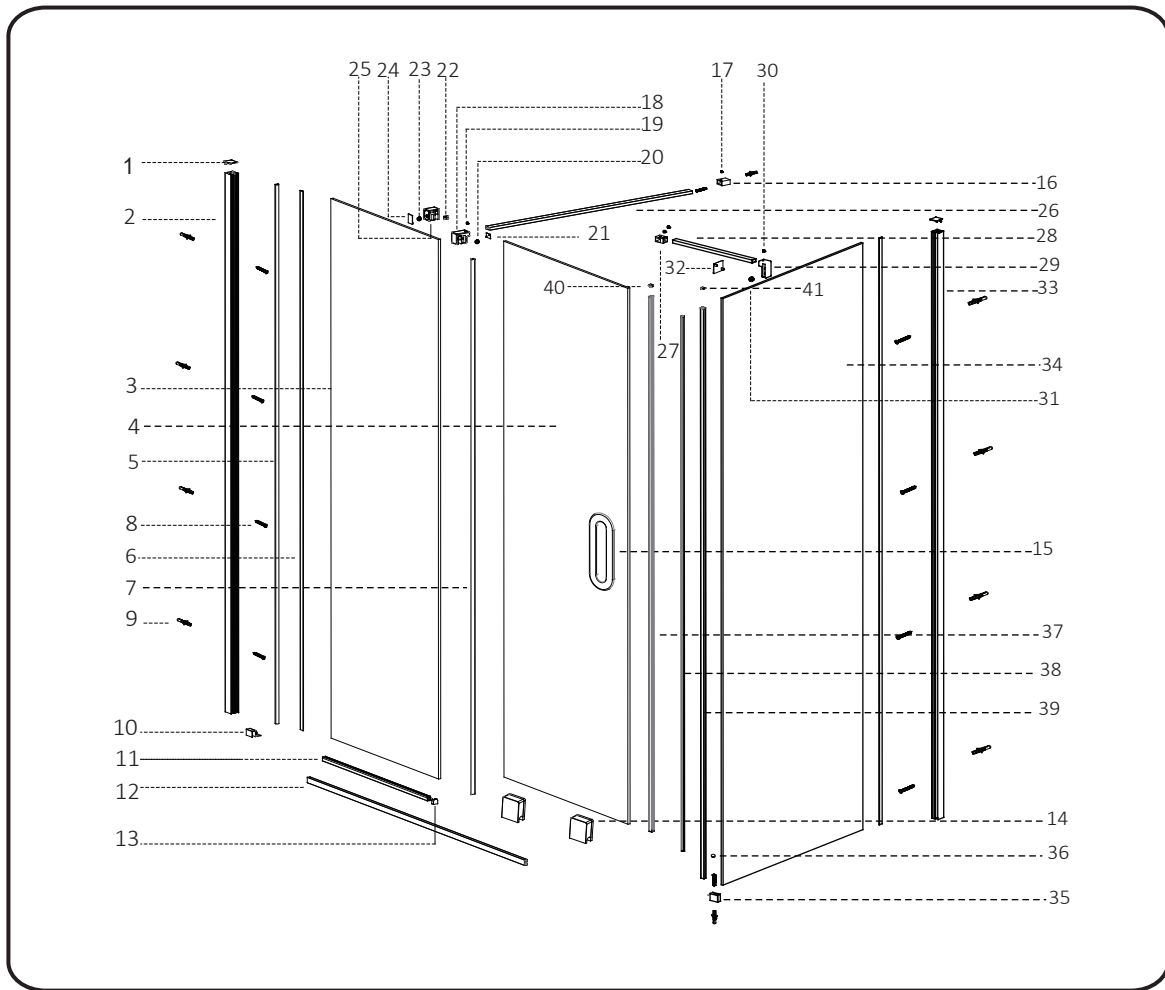
IMPORTANT: Do not apply sealant on inside of the tray.

Sealing Outside

Seal from the top of the wall profile to the bottom between the wall profile and tiles. Also seal along the bottom where the frame meets the tray. Seal the joints between the bottom profile and any upright profiles.

SLIDING DOOR ENCLOSURE INSTRUCTION

COMPONENTS AND BOX CONTENTS

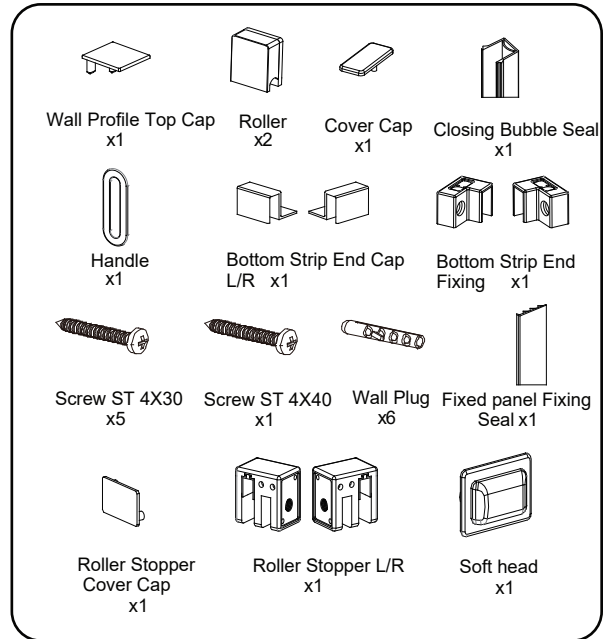
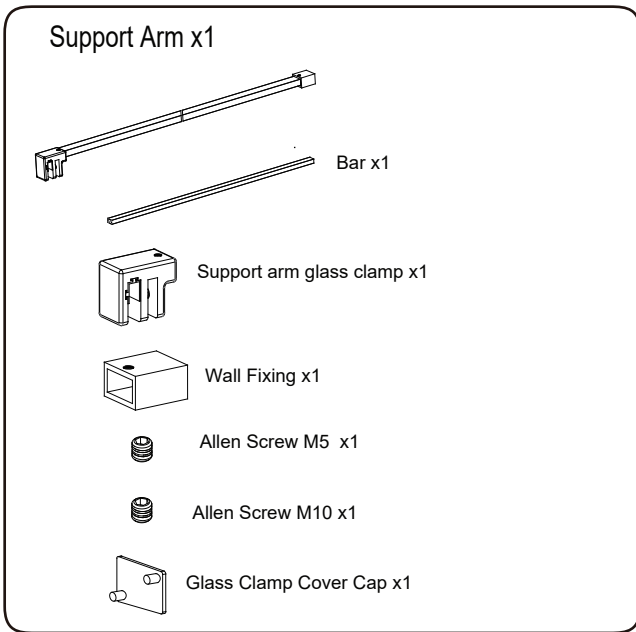


Box Contents

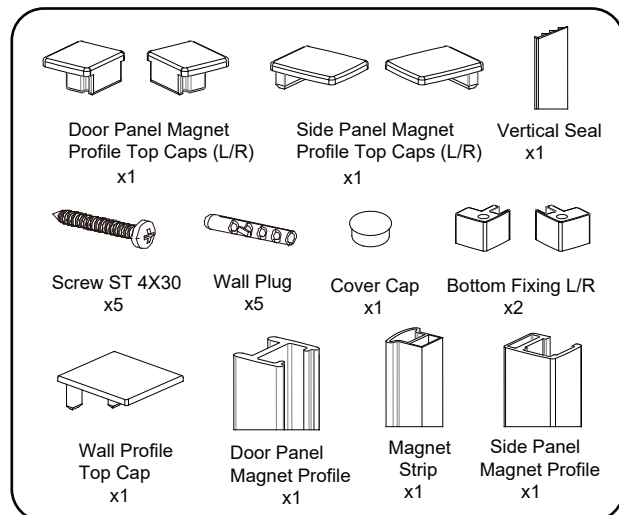
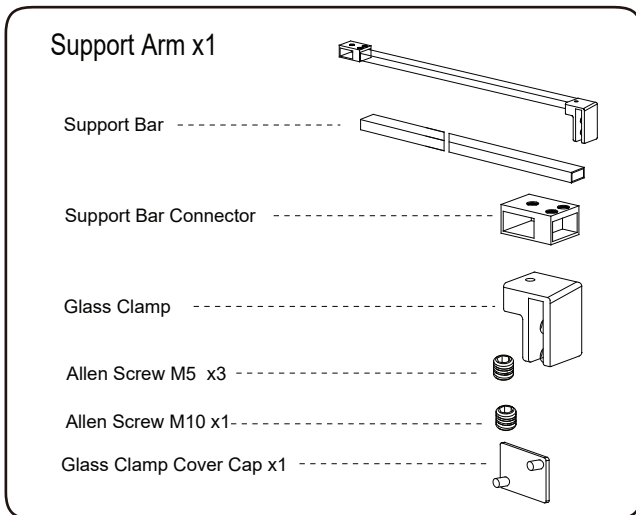
No.	Description	Qty	No.	Description	Qty
1	Wall Profile Top Cap	2	22	Soft Head	1
2	Wall Profile	2	23	Grub Screw M10x6	1
3	Fixed Panel	1	24	Stopper Screw Cover	1
4	Door Panel	1	25	Roller Stopper(L/R)	1
5	Closing Seal	1	26	Support Arm Tube	1
6	Fixed Panel Fixing Seal	1	27	T Piece	1
7	Vertical Seal(Optional)	1	28	Support Arm Tube	1
8	Wall Plug	10	29	Glass Clamp(Side Panel)	1
9	ST Screw 4x30	10	30	Allen Grub Screw M5x6	1
10	Bottom Rail End Cap (L/R)	2	31	Grub Screw M10x6	1
11	Bottom Strip	1	32	Glass Clamp (Side Panel) Screw Cap	1
12	Bottom Rail	1	33	Side Panel Wall Profile	2
13	Bottom Strip End Cap	1	34	Side Panel Glass	1
14	Roller Set	2	35	Side Panel Bottom Fixing	1
15	Handle	1	36	Round Cover Cap	1
16	Support Arm Wall Fixing	1	37	Door Panel Magnet Profile	1
17	Allen Grub Screw M5x6	1	38	Magnet Strip	1
18	Glass Clamp	1	39	Side Panel Magnet Profile	1
19	Grub Screw M5x6	1	40	Door Panel Magnet Profile Top Cap	2(L/R)
20	Grub Screw M10x6	1	41	Side Panel Magnet Profile Top Cap	2(L/R)
21	Glass Clamp Screw Cap	1			

FIXING KIT COMPONENTS, SITE CONDITION SLIDING ENCLOSURE

FIXING KIT-SLIDING WETROOM



FIXING KIT-SIDE PANEL



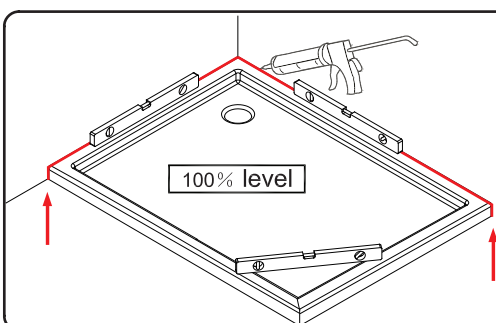
IMPORTANT - Missing Components

Please check this product for missing components prior to installation.

IMPORTANT - Installation site

1. Ensure the top surface of the shower tray on which the enclosure will be installed is level in every direction.
2. The tiles or other wall finishing should be effectively sealed at tray edges.
3. Tiles should extend at least to the corner of the tray and a minimum of 2.0 meters from the top of the tray.

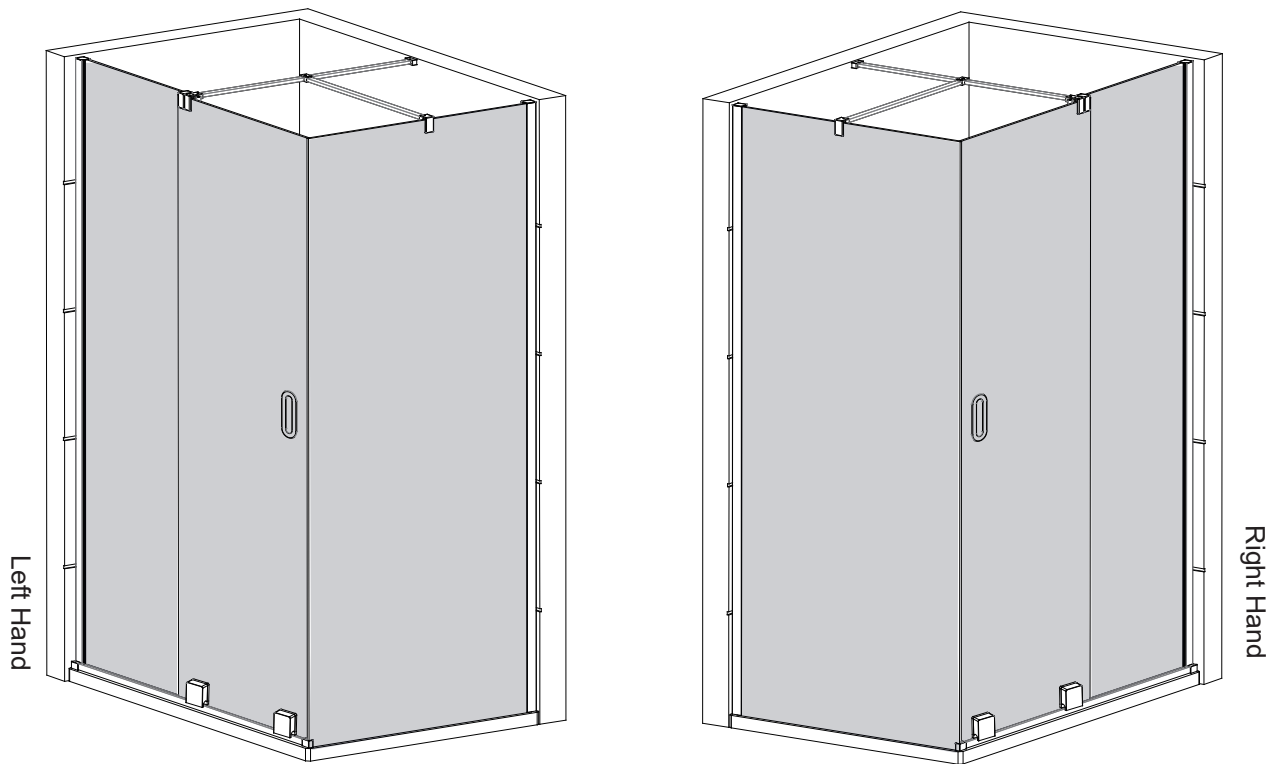
PROCEDURE



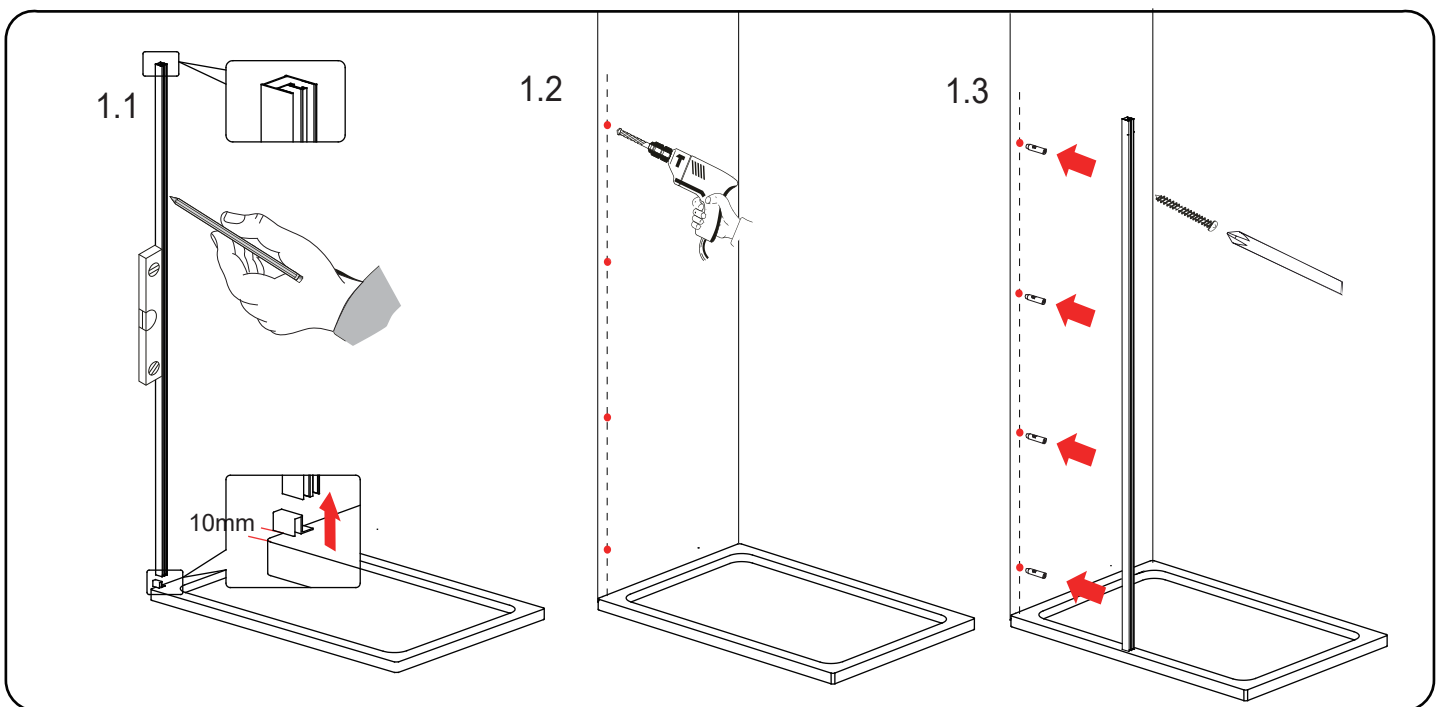
TRAY MUST BE 100% LEVEL IN ALL DIRECTIONS

Ensure the shower tray is level in all directions and is properly sealed to the wall. The wall must be tiled down to the top edge of the tray. **Do not angle out bottom tile.**

TRAY MUST BE SEALED FULLY AROUND WHERE THE TRAY MEETS THE WALL.



Note: The product can be constructed either way up, for left or right hand opening. This instruction is showing a Left hand opening.

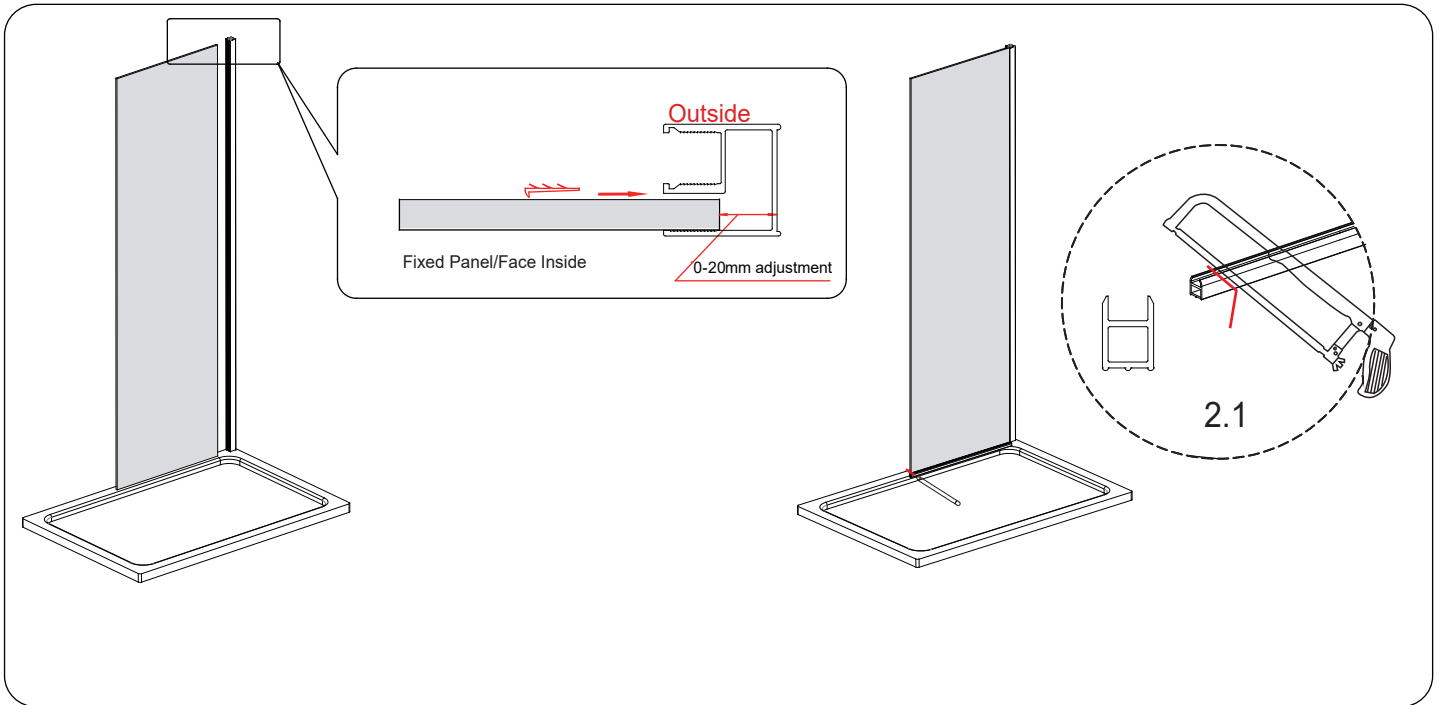


Step 1.1 Fit the Bottom Rail End Cap L/R (Part 10) on the wall profile (Part 2) from the bottom. Place the Wall Profile onto the tray, roughly 10mm away from the front edge of the end cap. Level the Wall Profile using a spirit level then mark the profile through the pre-drill holes on the Wall Profile. (Diagram 1.1).

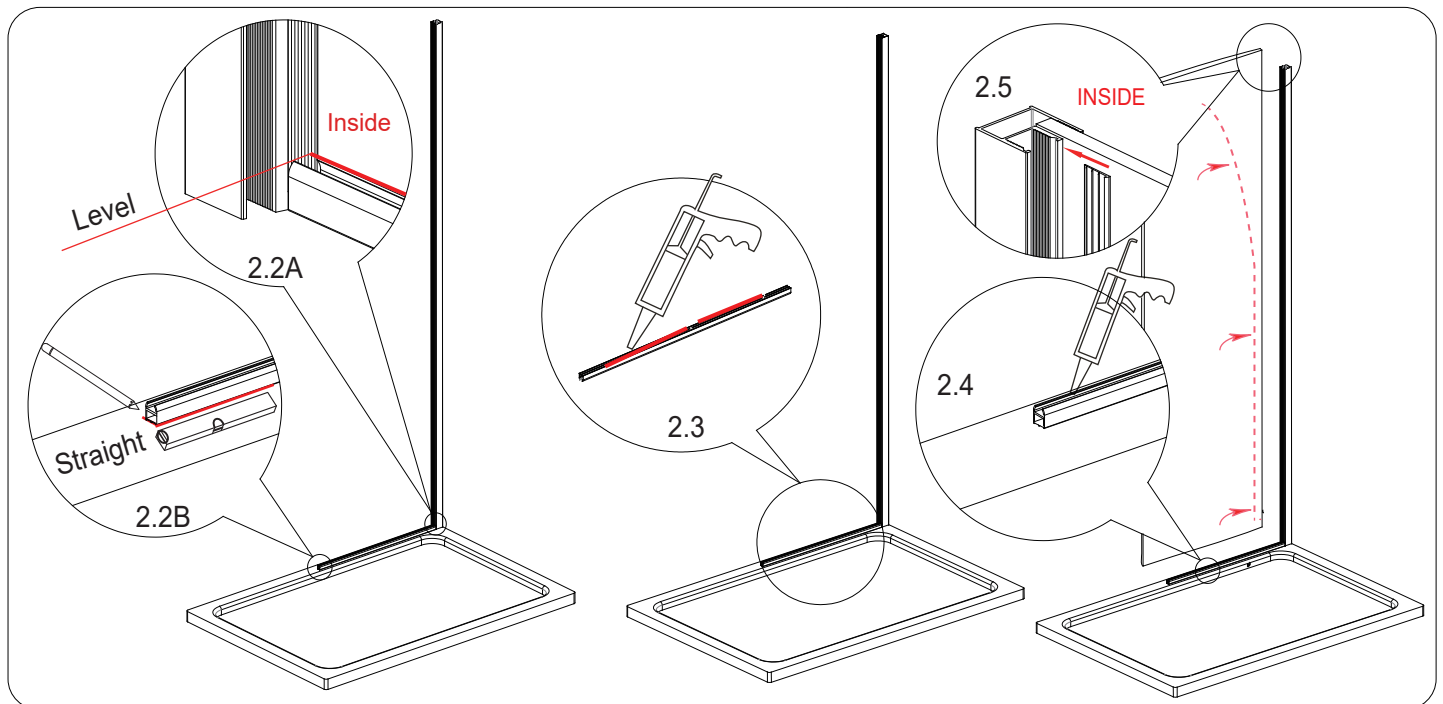
Note: Ensure the channel with the pre-drill holes is facing outwards when placing the Wall Profile onto the tray.

Step 1.2 Remove the wall profile and drill the marked points using a 6mm masonry drill bit. (Diagram 1.2)

Step 1.3 Insert wall plugs (Part 8) then secure the wall profile onto the wall using ST4X30 screws x4 (Part 9) (Diagram 1.3)



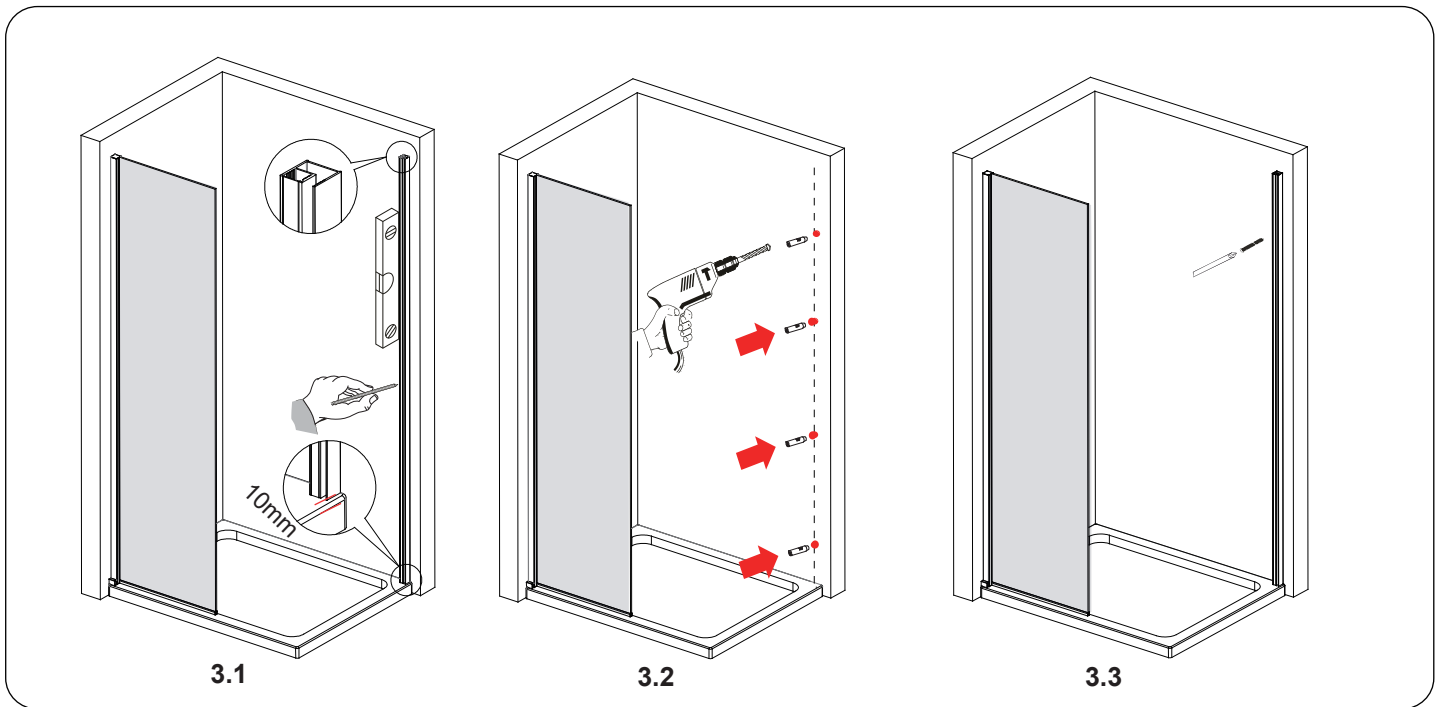
Step 2.1 Carefully lift the fixed panel (Part 3) and insert into the wall Profile groove, it allows 0-20mm for the adjustment. Once the fixed panel is in required adjustment, place the bottom strip (Part 11) onto the tray and mark a line onto the profile. Cut the profile through the marked line to get required length. (Diagram 2.1)



Step 2.2 Remove the fixed panel then replace the bottom strip (Part 11) onto the tray, ensure the bottom strip groove is level to the wall profile groove on the inside face (Diagram 2.2A). Mark the line on the tray for the bottom strip position once you have ensured it is straight. (Diagram 2.2B)

Step 2.3 Drop the silicone sealant onto the bottom side of the bottom strip, take the 3M adhesive tape back away then carefully place it onto the tray against the marked line. (Diagram 2.3)

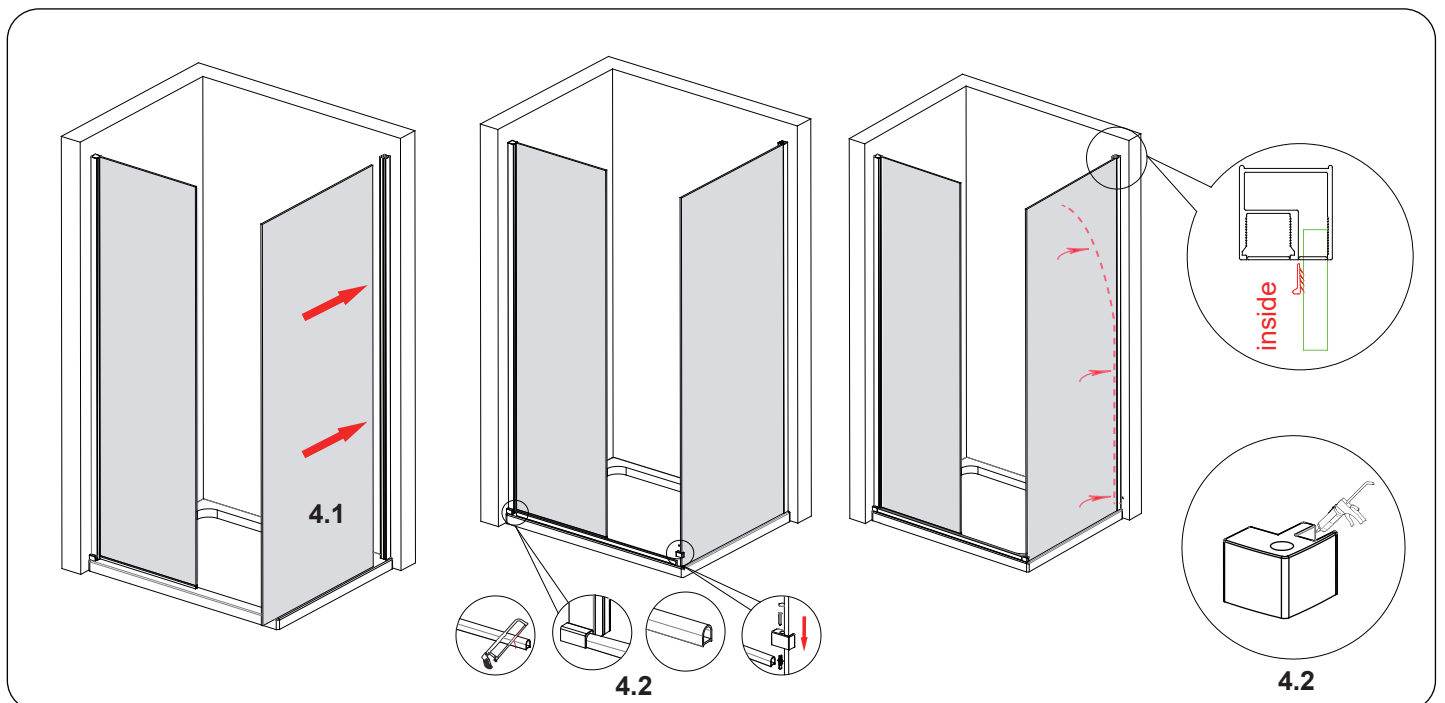
Step 2.4 Drop the silicone sealant into the groove of the bottom strip (Diagram 2.4) then carefully lift the fixed panel and insert it into the bottom strip then push it onto the wall profile. After the fixed panel has been placed at the required position insert the fixing seal from top to bottom to secure the fixed panel onto the wall profile. (Diagram 2.5)



Step 3.1 Place the side panel Wall Profile (part 33) onto the tray, roughly 10mm away from the front edge of the end cap. Level the wall profile using a spirit level then mark the profile through the pre-drill holes on the wall profile (Diagram 3.1)

Step 3.2 Remove the wall profile and drill the marked points using a 6mm masonry drill bit, once this is done insert the wall plugs. (Diagram 3.2)

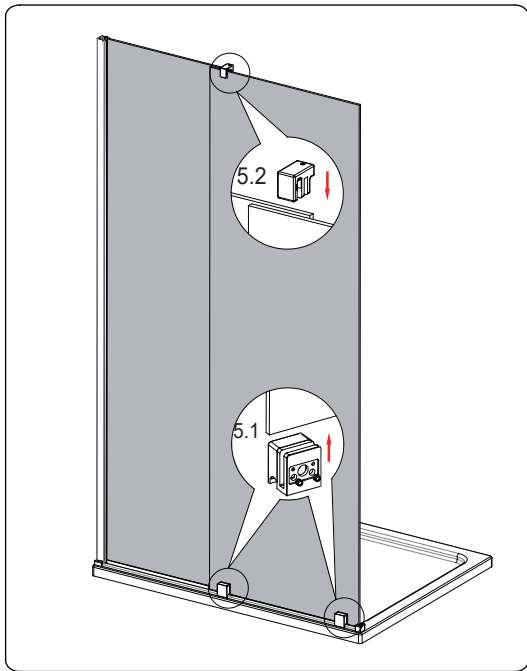
Step 3.3 Secure the wall profile onto the wall using ST4X30 screw x4. (Diagram 3.3)



Step 4.1 Carefully lift the Side Panel Glass (Part 34) onto the tray, insert it into the wall profile channel. It allows 20mm for the adjustment. (Diagram 4.1)

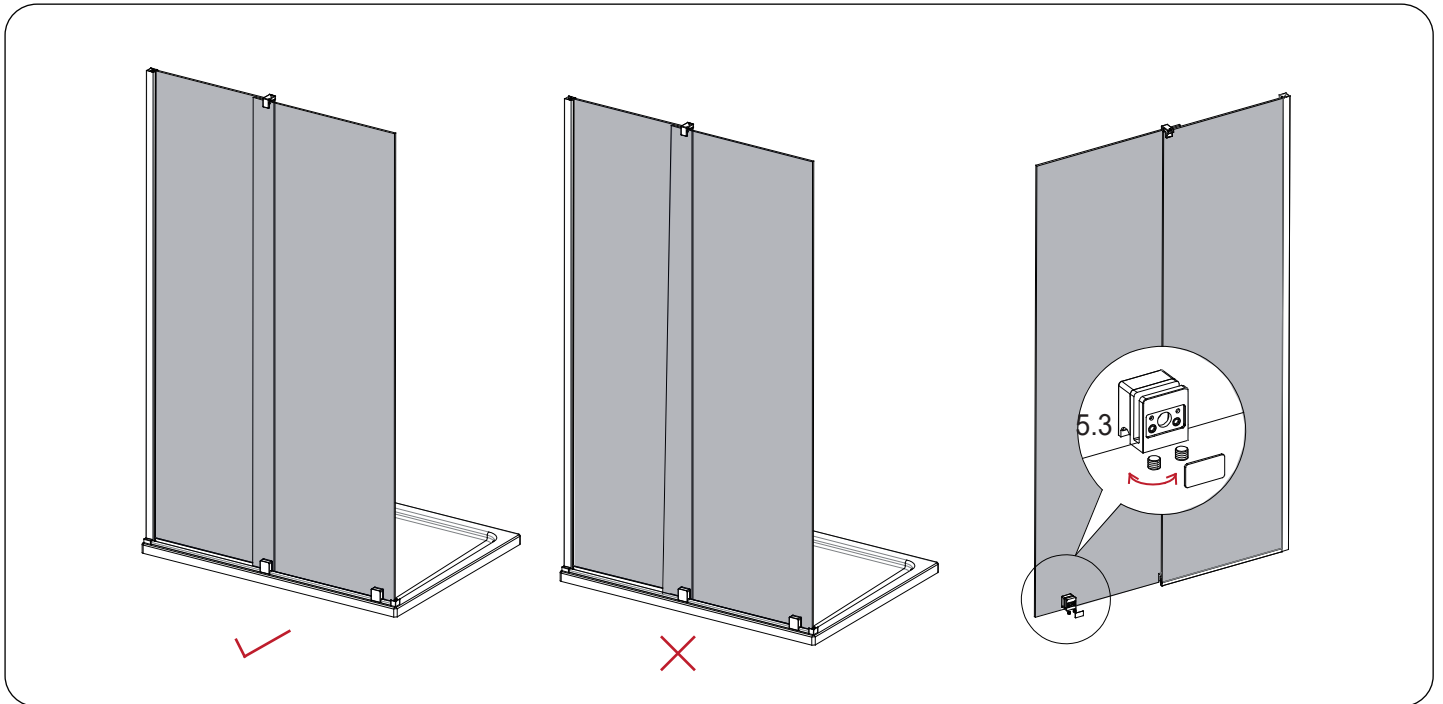
Step 4.2 Cut the bottom rail (part 12) 25mm away then insert it into the end cap L (Part 10) fitted on the fixed panel wall profile. Drop a little bit silicone sealant into the groove of the side panel bottom fixing (part 35), then fit it onto the side panel glass and bottom rail, drill the hole on the tray/floor then insert the wall plug, attach it onto the tray/floor using screw ST 4X30. (Diagram 4.2)

Step 4.3 Insert the fixing seal from top to bottom to fix the side panel glass onto the wall profile from inside of the enclosure.



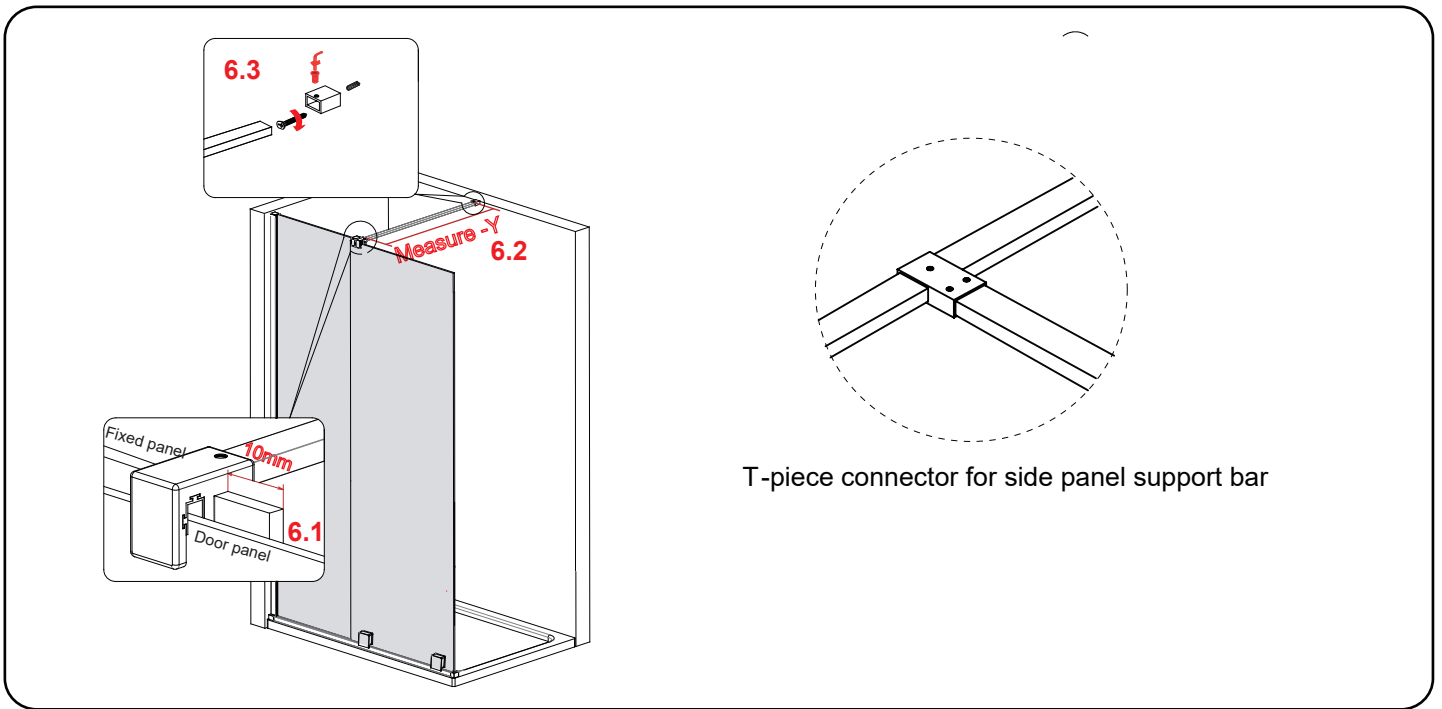
Step 5.1 Ensure the gasket has been placed inside the roller then fit it to the door panel from the bottom , roughly the roller should be about 50mm to the glass end. Ensure the soft head is attached on the grub screws then attach the roller together with the glass panel. (Diagram 5.1)

Step 5.2 Carefully lift the door panel and assemble onto the bottom rail, fit the glass clamp((part 18) to hold the fixed panel and door panel in place.



Step 5.3 Check the door to make sure the door panel is level with the fixed panel. If not remove the door panel and loosen the fixing grub screws , then raise or drop the door panel by tighten or loosening the grub screws pre-fitted at the bottom of the roller. Once the door panel is in the perfect position fit the roller screws caps onto the roller. (Diagram 5.3)

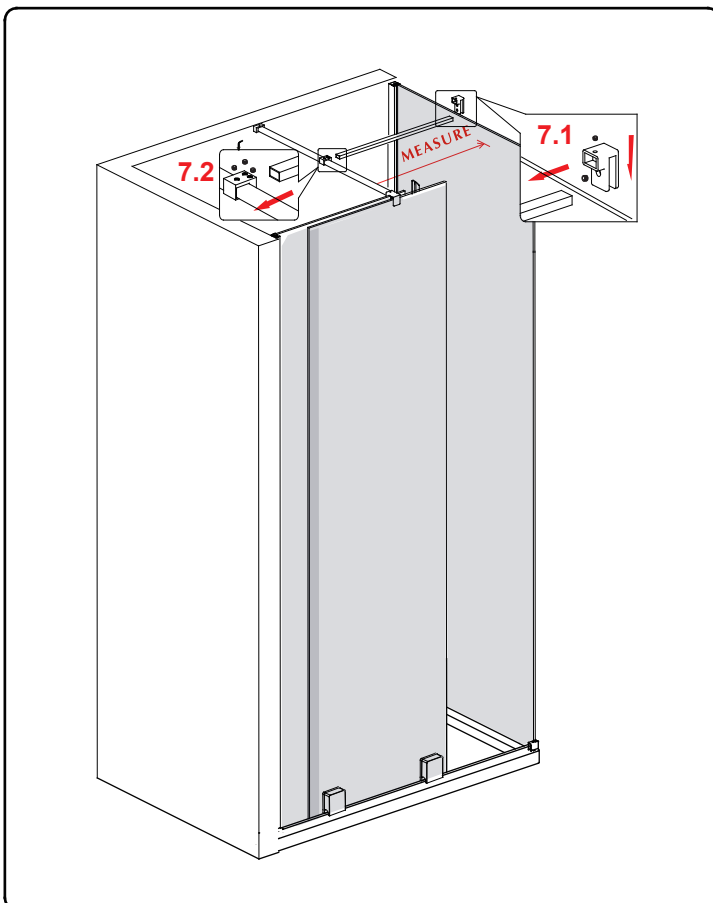
Tips:If the door panel does not run smoothly please check that the bottom rail is 100% straight,and ensure that the wall profile is 100% level.



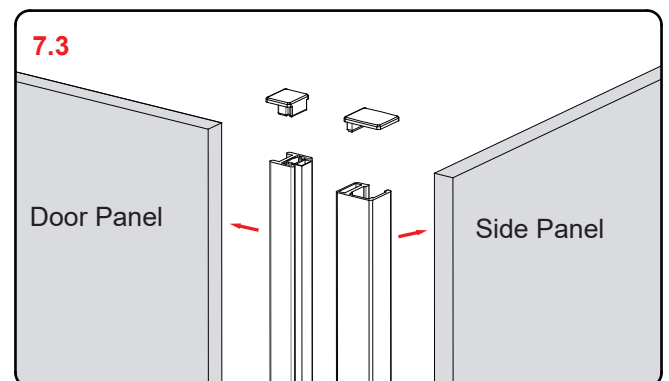
T-piece connector for side panel support bar

- Step 6.1** Ensure the glass clamp is in about 10mm away from the fixed panel edge(Diagram 6.1) then attach it onto the fixed panel using M10 x6 grub screw(Part 20)
- Step 6.2** Fit the support arm wall fixing onto the support arm bar and place it onto the wall in required position.Measure the dimension from the glass clamp to the wall fixing to get dimension Y.Cut the support arm to the required length X according to the formula $X=(L-Y)+25\text{mm}$ (L is the original length of the support arm bar,1057mm)
- Step 6.3** Fit the support arm wall fixing onto the support arm bar before inserting the support arm bar onto the glass clamp, move the wall fixing to the wall and level the support arm bar, mark the position of the wall fixing onto the wall.Drill through the marked position on the wall using a 6mm masonry drill bit and insert the wall plug(part 8).Fix the wall fixing onto the wall using screw ST 4X30(Diagram 6.3).

Insert the T-piece (part 27) onto the support arm bar then insert the support arm bar to the wall fixing,pull the bar out from the wall fixing to insert into the glass clamp, then secure the support arm bar together with the glass clamp and wall fixing using M5x6 grub screws.

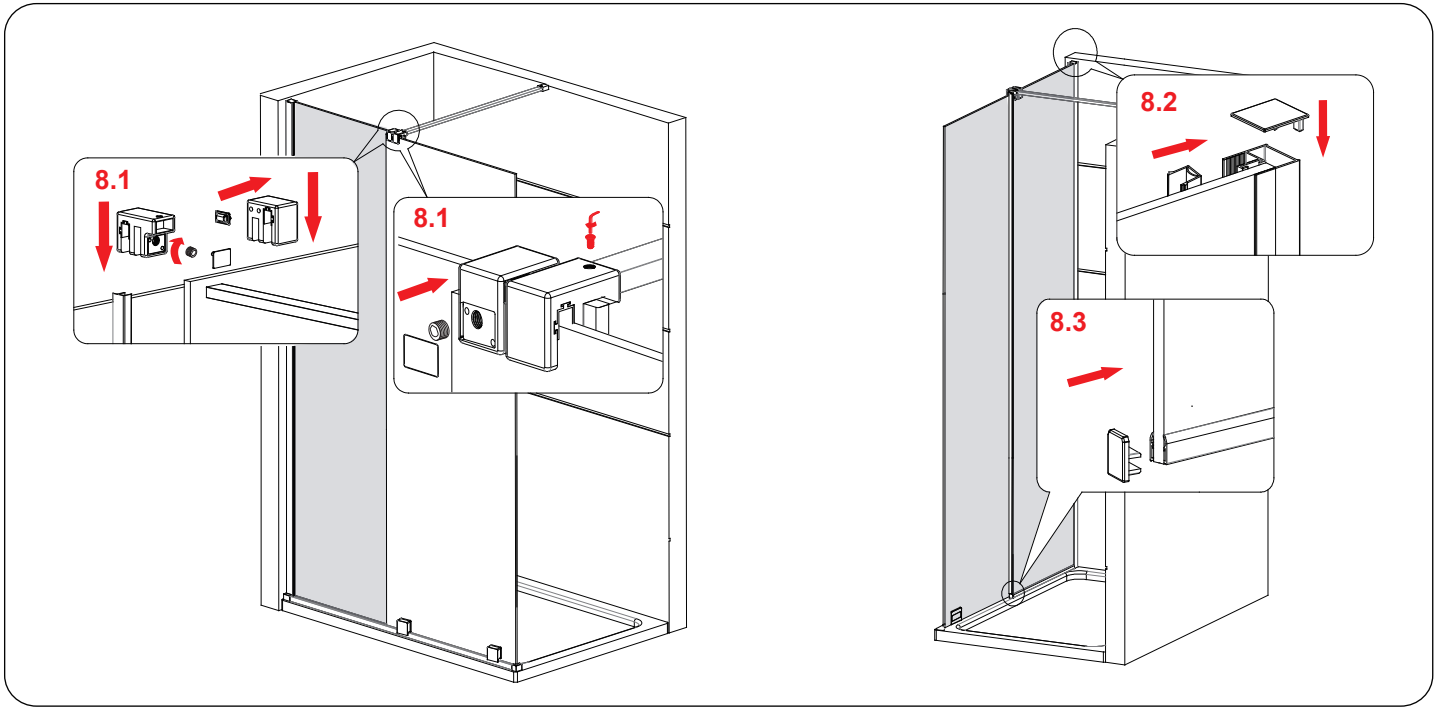


- Step 7.1** Measure the support bar tube length then cut it to the required size,fit the Glass Clamp(Part 29) onto the side panel then secure it onto the side panel using a M10 grub screw(Diagram 7.1)
- Step 7.2** Fit the support bar tube onto the Glass clamp and T piece(part 27) then secure them to each other using M5 grub screws(Diagram 7.2)



- Step 7.3** Take the 3M adhesive tape back away then drop the silicone sealant onto the groove of the magnet profiles,fit the magnet profile onto the door panel and side panel.Once this is done fit the top cap onto the magnet profile.(Diagram 7.3).

Note:Ignore this step if you fit the corner post onto the side panel.

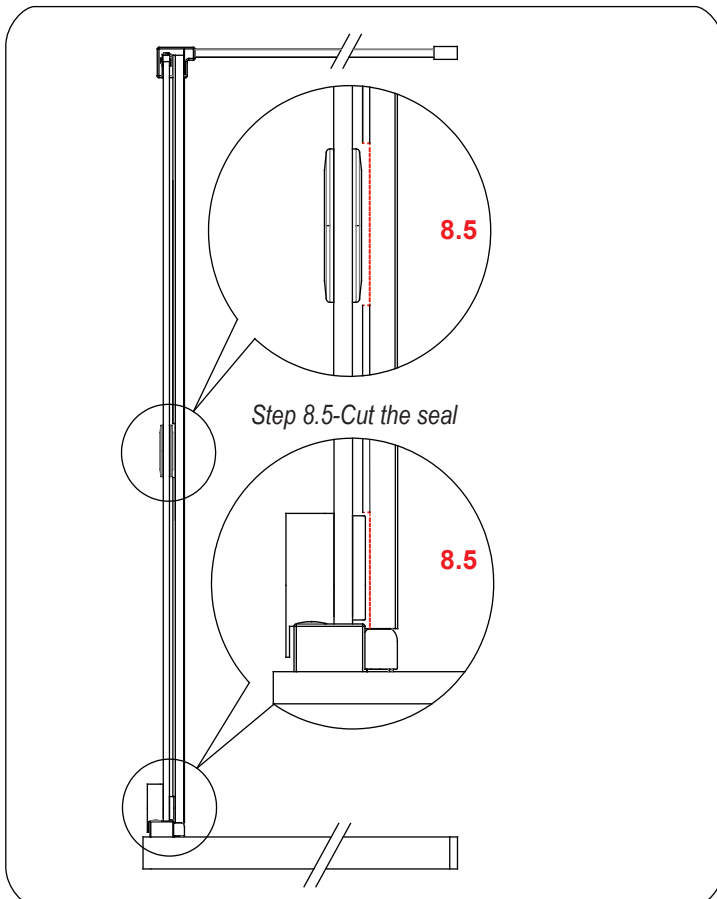


Step 8.1 Fit a soft head (part 22) onto the roller stopper (part 25), then slide the door panel to ensure it touches the side panel glass, fit the roller stopper onto the door panel, ensure the soft head on the roller stopper touches the glass clamp then secure the roller stopper onto the door panel using M10x6 grub screw (Diagram 8.1)

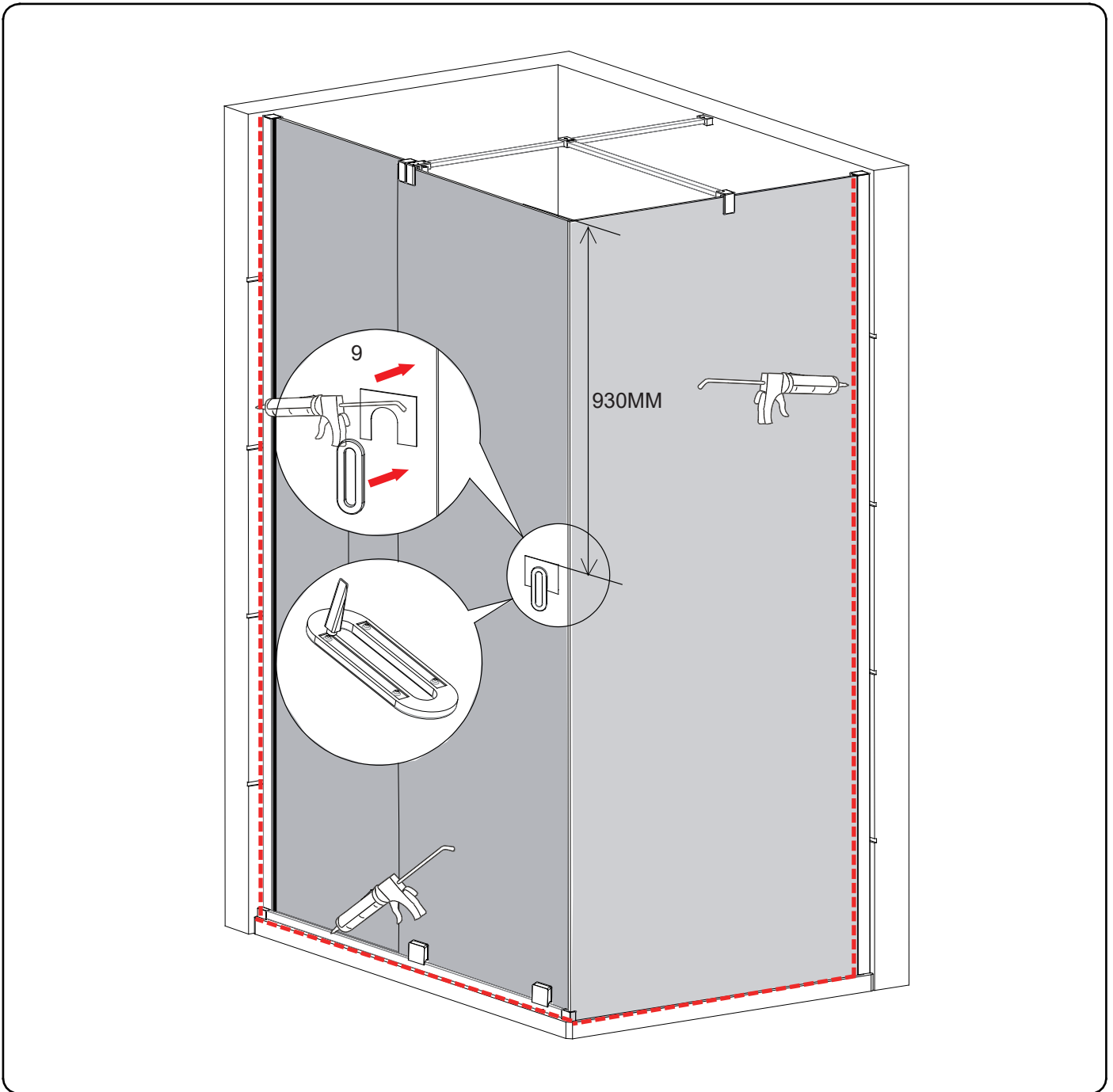
Step 8.2 Press the closing seal (Part 5) into the wall profile channel, then fit the wall profile top caps (part 1) onto the wall profiles (Diagram 8.2)

Step 8.3 Fit the bottom strip end cap (part 13) onto the bottom strip. (Diagram 8.3)

Step 8.4 Fit the cover cap onto the roller stopper and glass clamp.



Step 8.5 We do not recommend fitting the vertical seal (Part 7 in the sliding wetroom carton) onto the fixed panel as the overlap between the fixed panel and door panel will be sufficient to avoid any leaks. If you do decide to fit the vertical seal please ensure you cut it as detailed in Diagram 9 to avoid any obstruction to the handle or rollers.



Step 9 Remove the 3M adhesive tape from the handle fixing template then stick it onto the glass, the template should be flush with the side of the glass edge , and 930mm away from top edge. Remove the 3M adhesive tape from the handle , squeeze the glue(supplied) into the groove of the handle , then fit it onto the door panel against the template and hold it for 30-60 seconds then use the plastic clip to hold it .Use the same method to fit the inside handle part and then use the plastic clip to attach the inside handle part , outside handle part and door panel together.
 Note:Keep the plastic clip in position for 36 hours until the glue is fully dry.



24 HRS
DO NOT USE THE ENCLOSURE FOR 24 HOURS AFTER SEALING

Applying Silicone Sealant

Sealing Inside
 Seal from the top of the wall profile to the bottom on the **INSIDE** between the wall profile and the wall.

IMPORTANT: Do not apply sealant on inside of the tray.

Sealing Outside
 Seal from the top of the wall profile to the bottom between the wall profile and tiles. Also seal along the bottom where the frame meets the tray. Seal the joints between the bottom profile and any upright profiles.

AFTERCARE

Cleaning Instructions

It is important to clean your Artesan shower enclosure after every use. Please wipe down all glass and metal parts with a clean soft cloth. Ensure that all residual water on the glass is removed after every use.

Usage

For reliable, watertight performance from your Artesan enclosure your shower head should not be positioned so that the shower sprays directly onto the enclosure door. Failure to comply with this may cause the shower to leak. Outward opening doors may cause water to drip onto the floor, please ensure that the floor covering immediately outside the enclosure will not be affected by water.



This product has been treated with easy clean glass treatment, a protective barrier which creates a 'non-stick' surface on your glass, helping to resist lime scale build up and water spots.

Aftercare

Easy clean glass can be cleaned with any suitable nonabrasive glass cleaner - with PH value of between 3-11; the coating will not be damaged. Avoid surfactants and heavily perfumed products. Vinegar and water based products are very effective. Do not use abrasive scrubbing cleaners or equipment for cleaning.