

Yalding Basin Taps (Excl. Waste)



Product Code: 167.YABT

Construction: Brass Body, Zinc-alloy handle

Finishes: Chrome plated to BS EN 248

Water

Pressure: Min. 0.1 bar, Max. 6.0 bar

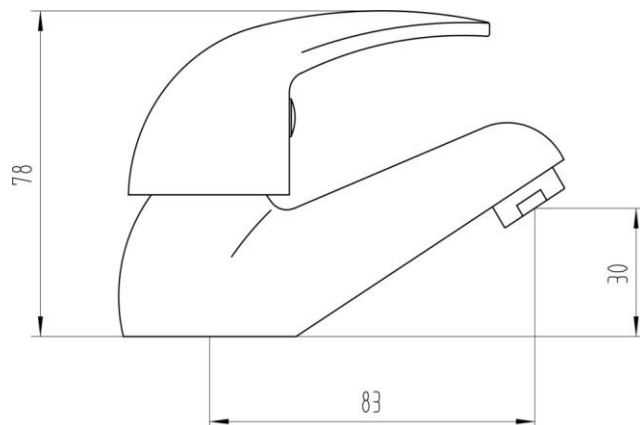
Plumbing Systems: Suitable for all plumbing systems, Hot and Cold water pressure preferably balanced. Max. supply pressure differential requirement no greater than 5:1

Standards: Complies with BS5412, BS EN 200

Cartridge: 1/4 turn 1/2" ceramic disc valves

Aerator: Spout aerator

Fitting: Brass G1/2" BSP tails



Packaging: 27.5 x 20.5 x 37cm /carton
(10 boxes)

Dimension: 19.5 x 13 x 7cm / box
Weight: 1.10Kg / box

Guarantee: 10 years against manufacturing faults (excluding serviceable parts)

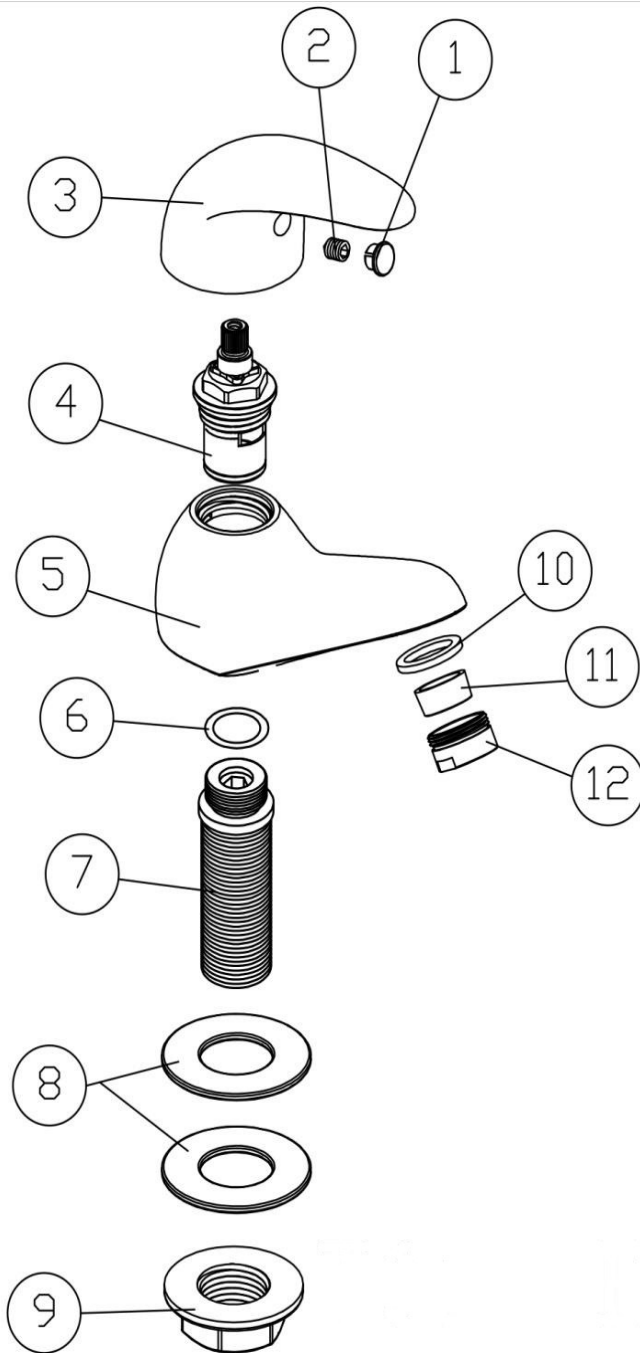
Flow Rates (litres per minute)

System Pressure	0.1 Bar	0.2 Bar	0.3 Bar	0.5 Bar	1.0 Bar	1.5 Bar	2.0 Bar	3.0 Bar	4.0 Bar	5.0 Bar
167.YABT	5.6	6.6	-	10.5	13.8	-	-	-	-	-

All dimensions are in millimetres unless otherwise stated. The information contained on this page was correct at date of issue. Fitting dimensions are provided as a guide only. Some variation may occur due to manufacturing tolerances. We pursue a policy of continuing improvement in design and performance of our products and so reserve the right to change specifications without prior notice.

167.YABT

THE TUNBRIDGE WELLS
Brassware Co.



NO.	ITEM CODE	DESCRIPTION	QTY
1	T02-01	INDICES	1 PAIR
2	T02-02	SCREW	2
3	T02-03	HANDLE	2
4	T02-04	1/4-TURN HOT CARTRIDGE	1 PAIR
	T02-04	1/4-TURN COLD CARTRIDGE	
5	T02-05	G1/2" BODY	2
6	T02-06	"O" RING	2
7	T02-07	G1/2" INLET	2
8	T02-08	WASHER	4
9	T02-09	BACKNUT	2
10	T02-10	WASHER	2
11	T02-11	AERATOR	2
12	T02-12	M18*1 NOZZLE	2