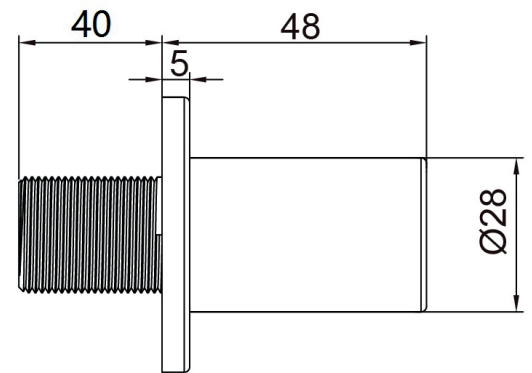
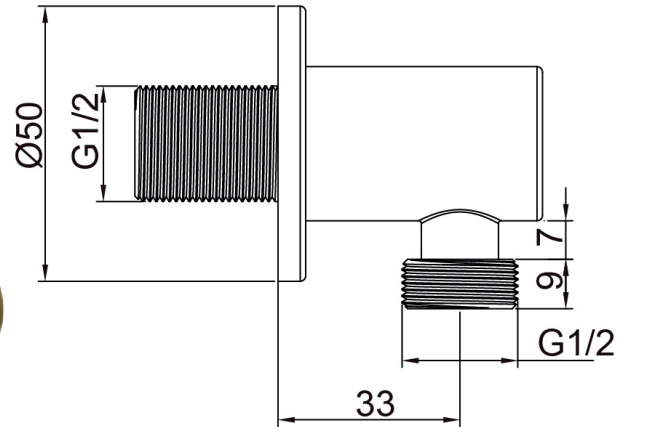


DATA SHEET

THE TUNBRIDGE WELLS
Brassware Co.

167.SWB/BL/BB Bedgebury Square Wall Bracket Elbow



Product Code: Chrome 167.SWB
Matt Black 167.SWBBL
Brushed Brass 167.SWBBS

Construction: Brass

Finishes: Chrome plated to BS EN 248
Black Matt black
Brass Brushed Brass

Water Pressure: Min. 0.1 bar Max 6.0 bar

Plumbing Systems: Suitable for all plumbing systems

Fitting: Brass G1/2" BSP tail

Packaging: 32 x 25.5 x 26cm / carton (50 boxes)
Dimension: 12 x 6 x 5cm / box

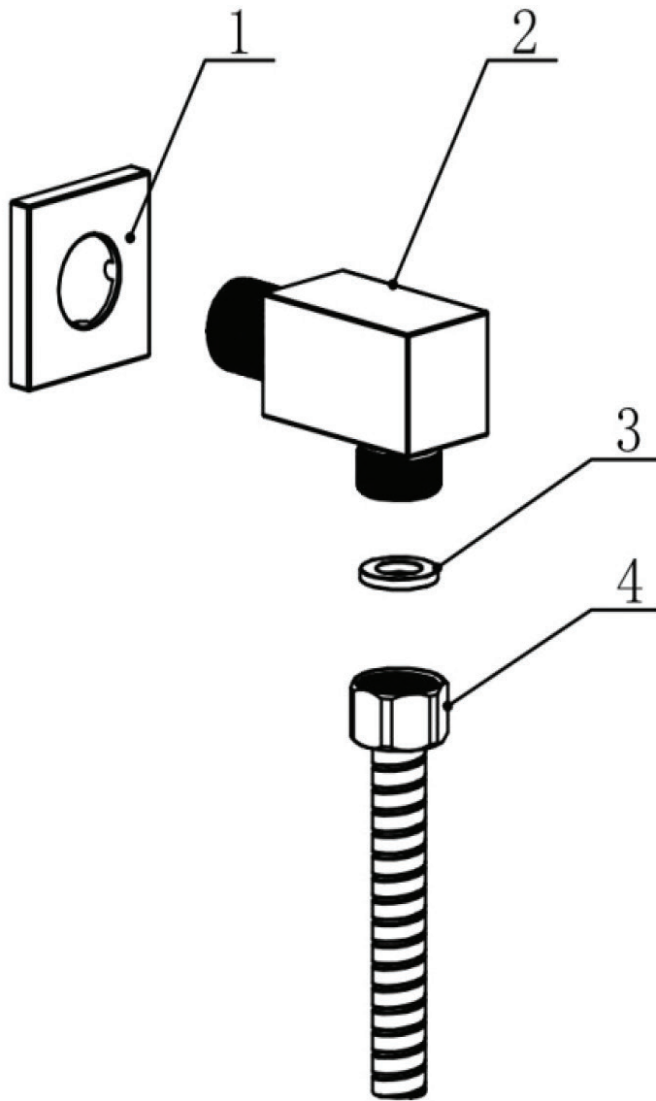
Weight: 0.30Kg / box

Guarantee: 1 Year against manufacturing faults (excluding serviceable parts)

All dimensions are in millimetres unless otherwise stated. The information contained on this page was correct at date of issue. Fitting dimensions are provided as a guide only. Some variation may occur due to manufacturing tolerances. We pursue a policy of continuing improvement in design and performance of our products and so reserve the right to change specifications without prior notice.

167.SWB/BL/BB

THE TUNBRIDGE WELLS
Brassware Co.



4	Hose
3	Rubber seal
2	Body
1	Base plate