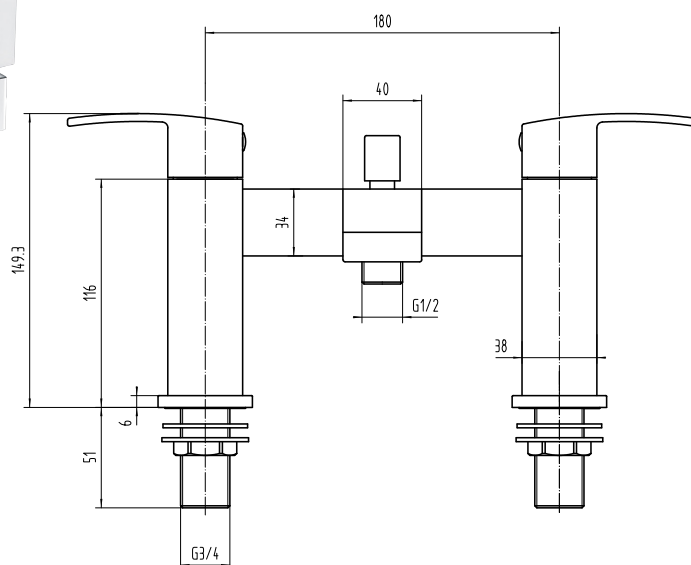
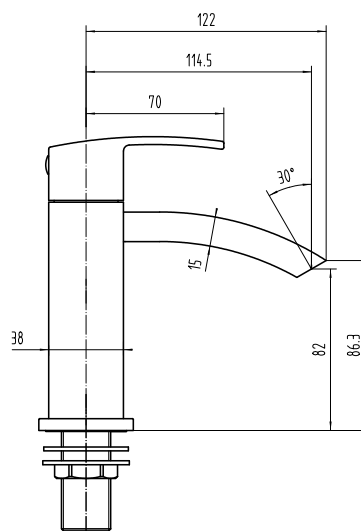


DATA SHEET

THE TUNBRIDGE WELLS
Brassware Co.

Salomon Deck Mounted Bath Shower Mixer Inc. Shower Kit (Excl. Waste)



Product Code: Chrome 167.SMDMBSM
Matt Black 167.SMDMBSMBL

Construction: Brass Body (CuZn40Pb2),
EN CW617N
(equivalent to BS CZ122)
Zinc-alloy handle

Water Pressure: Min. 0.5 bar, Max. 6.0 bar

Plumbing Systems: Suitable for all plumbing systems,
Hot and Cold water pressure
preferably balanced Max.
supply pressure differential
requirement no greater than 5:1

Standards: Complies with BS5412, BS EN200

Certification: WRAS (1903057) approved

Cartridge: ¼ turn 3/4" ceramic disc valves

Aerator: Laminar spout

Fitting: Brass G¾" BSP tails

Flow Rates (litres per minute)

System Pressure	0.1 Bar	0.2 Bar	0.3 Bar	0.5 Bar	1.0 Bar	1.5 Bar	2.0 Bar	3.0 Bar	4.0 Bar	5.0 Bar
167.SMDMBSM/BL	4.7	7.6	-	12.0	18.2	23.6	27.7	33.4	-	-

Packaging: 48.5 x 27 x 35.5cm / carton
(4 boxes)
Dimension: 26 x 23.5 x 17cm / box
Weight: 3.25Kg / box

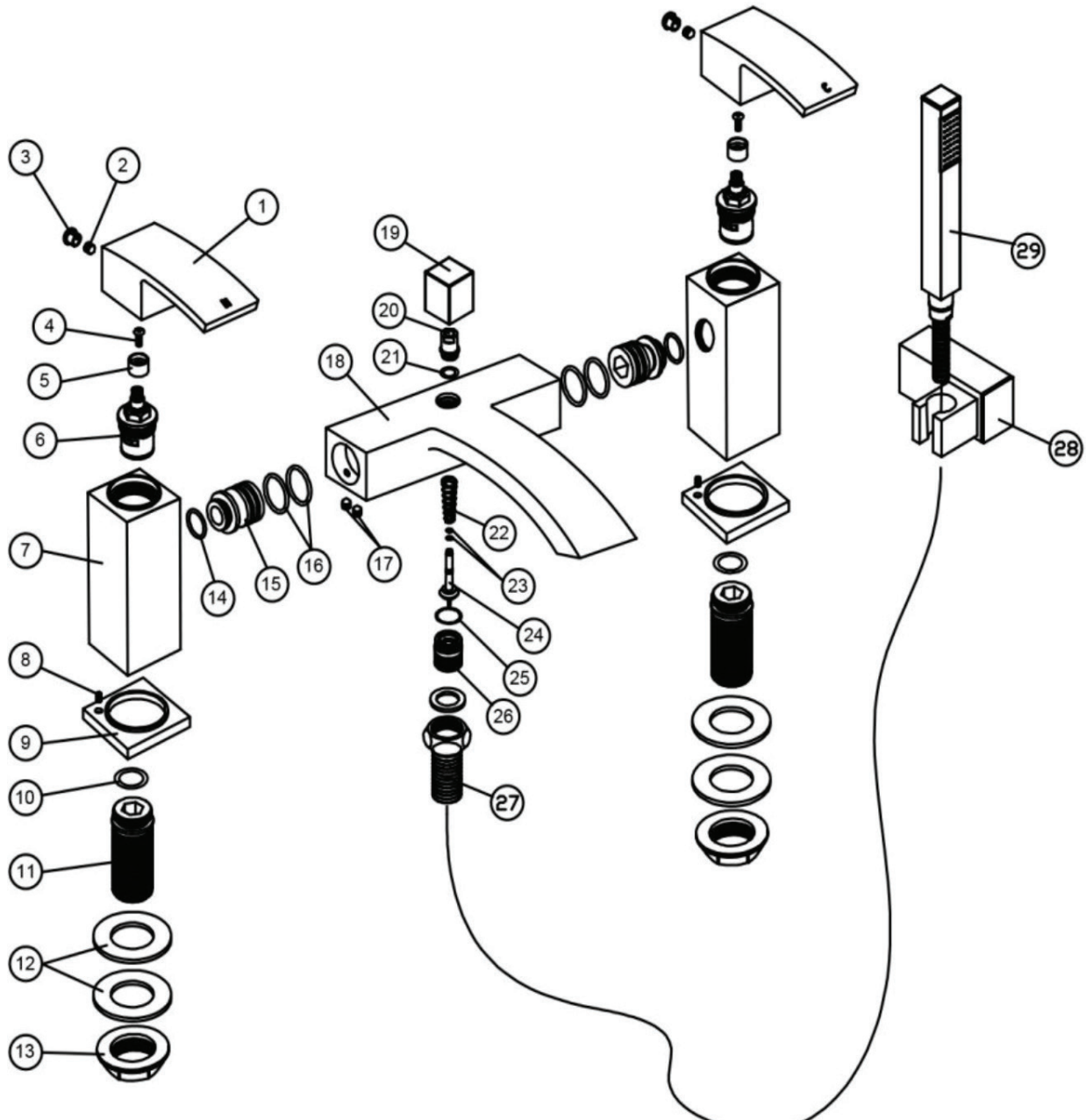
Guarantee: 10 Years against manufacturing
faults. Excluding serviceable parts

Additional Information: Supplied with shower handset
and holder, 1.5m ABS shower hose,
double interlock stainless steel in
chrome or smooth PVC in matt black

All dimensions are in millimetres unless otherwise stated. The information contained on this page was correct at date of issue. Fitting dimensions are provided as a guide only. Some variation may occur due to manufacturing tolerances. We pursue a policy of continuing improvement in design and performance of our products and so reserve the right to change specifications without prior notice.

167.SMDMBSM/BL

THE TUNBRIDGE WELLS
Brassware Co.



NO.	CODE	DESCRIPTION	QTY
1	SC04-01	HANDLE	2
2	SC04-02	SCREW	2
3	SC04-03	INDICE	2
4	SC04-04	SCREW	2
5	SC04-05	PVC CORE	2
6	SC04-06	G3/4" QUARTER-TURN CARTRIDGE	2
7	SC04-07	SIDE BODY	2
8	SC04-08	SCREW	2
9	SC04-09	BASE PLATE	2

10	SC04-10	24*2.5 O-RING	2
11	SC04-11	G3/4" BSP TAILS	2
12	SC04-12	WASHER	4
13	SC04-13	G3/4" BACKNUT	2
14	SC04-14	"O" RING	2
15	SC04-15	CONNECTOR	2
16	SC04-16	"O" RING	4
17	SC04-17	SCREW	4
18	SC04-18	BODY	1
19	SC04-19	DIVERTOR CAP	1

20	SC04-20	CONNECTOR	1
21	SC04-21	"O" RING	1
22	SC04-22	SPRING	1
23	SC04-23	"O" RING	2
24	SC04-24	DIVERTOR STEM	1
25	SC04-25	"O" RING	1
26	SC04-26	CONNECTOR	1
27	SC04-27	1.5M HOSE	1
28	SC04-28	SHOWER HOLDER	1
29	SC04-29	HANDLE SHOWER	1