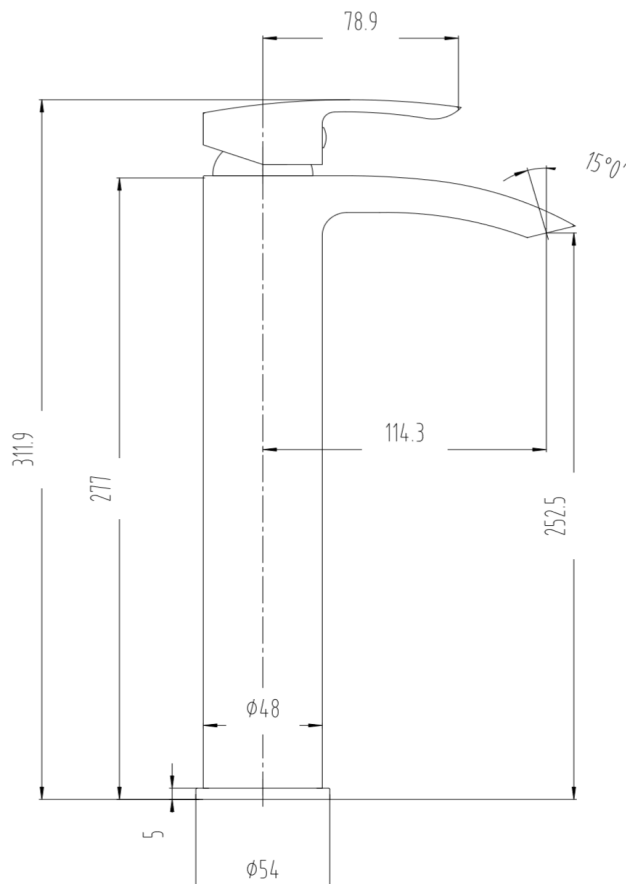


Speldhurst Tall Mono Basin Mixer (Excl. Waste)



Product Code: Chrome 167.SHTBM

Construction: Brass Body (CuZn40Pb2), EN CW617N (equivalent to BS CZ122); Zinc-alloy handle

Finishes: Chrome plated to BS EN 248

Water

Pressure: Min. 0.1 bar, Max. 6.0 bar

Plumbing Systems: Suitable for all plumbing systems, hot and cold water pressure preferably balanced Max. supply pressure differential requirement no greater than 5:1

Standards: Complies with BS6920, BS EN200

Cartridge: 35mm ceramic disc cartridge

Fitting: M10 x 350mm G½” BSP female flexi tails

Packaging: 36 x 40.5 x 48cm / carton (8 boxes)
Dimension: 39 x 23 x 8.5cm / box
Weight: 2.42Kg / box

Guarantee: 10 years against manufacturing faults (Excluding serviceable parts)

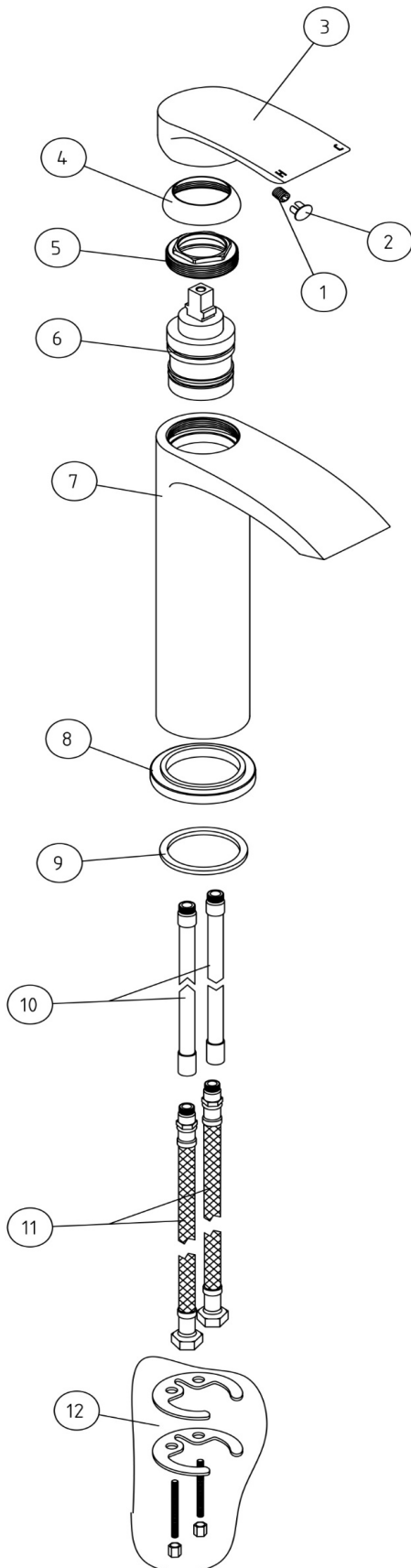
Flow Rates (Litres per minute)

System Pressure	0.1 Bar	0.2 Bar	0.3 Bar	0.5 Bar	1.0 Bar	1.5 Bar	2.0 Bar	3.0 Bar	4.0 Bar	5.0 Bar
167.SHTBM	3.8	4.9	-	7.5	10.6	13.0	15.3	18.2	-	-

The information contained on this page was correct at date of issue. Fitting dimensions are provided as a guide only. Some variation may occur due to manufacturing tolerances. We pursue a policy of continuing improvement in design and performance of our products and so reserve the right to change specifications without prior notice.

167.SHTBM

THE TUNBRIDGE WELLS
Brassware Co.



NO.	DESCRIPTION	QTY	MATERIAL
1	FLAT SCREW	1	S. S.
2	CAP	1	ABS
3	HANDLE	1	ZINC
4	CARTRIDGE COVER	1	ABS
5	CARTRIDGE NUT	1	BRASS
6	Ø35 HIGH-BASE ONE-PIECE CARTRIDGE	1	CERAMIC
7	TAP BODY	1	BRASS
8	BASE PLATE	1	ZINC
9	WASHER	1	RUBBER
10	INLET PIPE	2	BRASS
11	M10*1*400 FLEXI TAILS	2	S. S.
12	M6 FIXING KIT	1	IRON