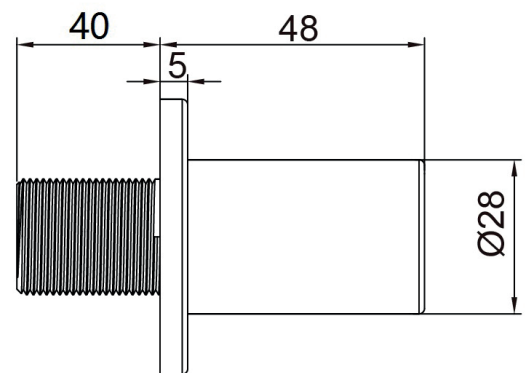
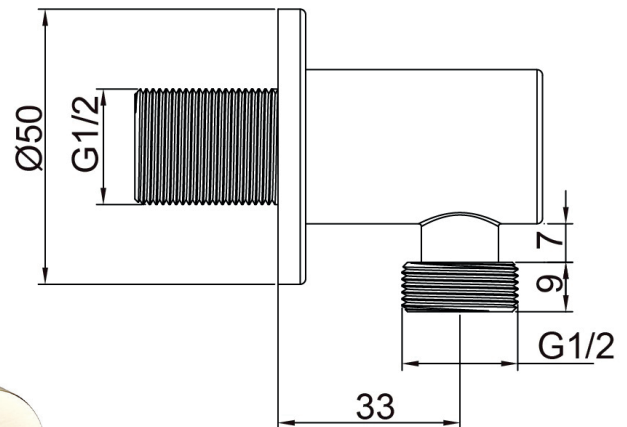


## 167.RWB/BL/BB Bawl Round Wall Bracket Elbow



**Product Code:** Chrome 167.RWB  
Matt Black 167.RWBBL  
Brushed Brass 167.RWBBB

**Construction:** Brass

**Finishes:** Chrome plated to BS EN 248  
Black Matt black  
Brass Brushed Brass

**Water Pressure:** Min. 0.1 bar Max 6.0 bar

**Plumbing Systems:** Suitable for all plumbing systems

**Fitting:** Brass  $G1/2$ " BSP tail

**Packaging:** 32 x 25.5 x 26cm / carton (50 boxes)  
Dimension: 12 x 6 x 5cm / box

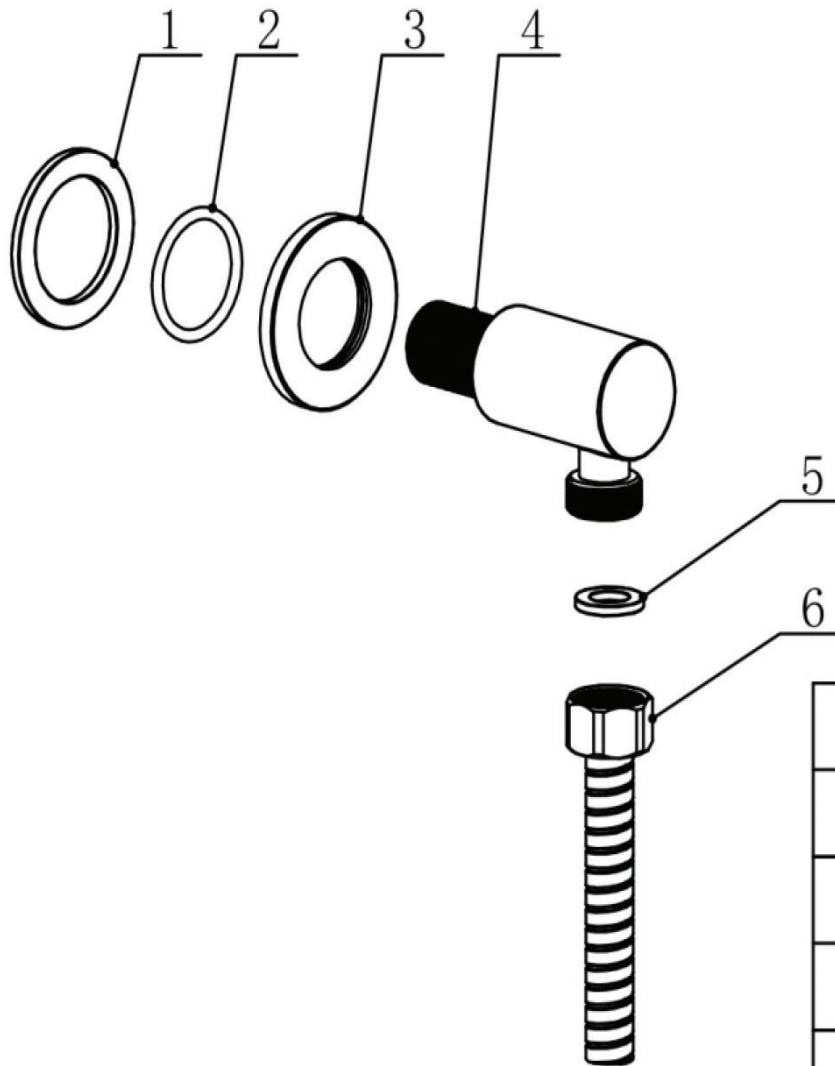
**Weight:** 0.20Kg / box

**Guarantee:** 1 Year against manufacturing faults (excluding serviceable parts)

All dimensions are in millimetres unless otherwise stated. The information contained on this page was correct at date of issue. Fitting dimensions are provided as a guide only. Some variation may occur due to manufacturing tolerances. We pursue a policy of continuing improvement in design and performance of our products and so reserve the right to change specifications without prior notice.

# 167.RWB/BL/BB

THE TUNBRIDGE WELLS  
Brassware Co.



6	Hose
5	Rubber seal
4	Body
3	Base ring
2	O ring
1	Rubber seal