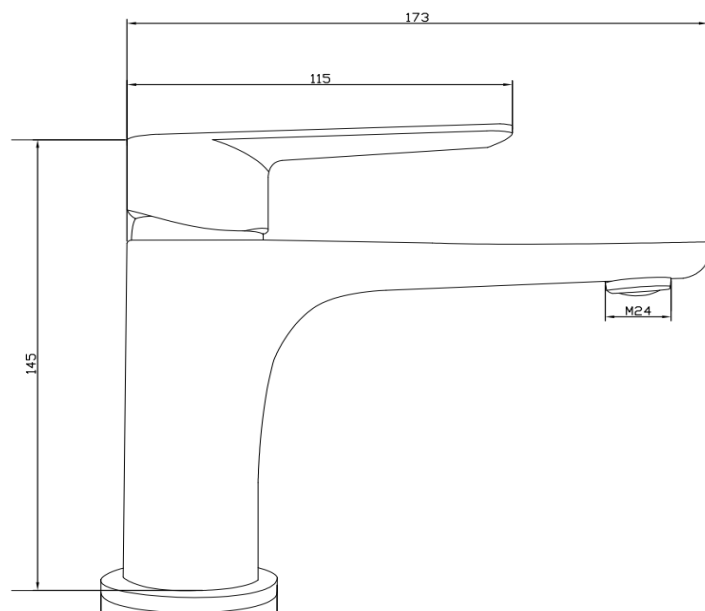


## Rusthall Basin Mono Mixer (Inc. Sprung Waste)



**Product Code:** 167.RHBMBL

**Construction:** Brass Body,  
Zinc-alloy handle

**Finishes:** Matt Black

**Water Pressure:** Min. 0.2 bar, Max. 6.0 bar

**Plumbing Systems:** Suitable for all plumbing systems, Hot and Cold water pressure preferably balanced  
Max. supply pressure differential requirement no greater than 5:1

**Cartridge:** 35mm ceramic disc cartridge

**Aerator:** Spout aerator

**Fitting:** G½" flexi tails

**Packaging:** 46 x 28 x 34cm / carton  
(12 boxes)  
Dimension: 27 x 22 x 8cm / box  
Weight: 1.13Kg / box

**Guarantee:** 5 years against manufacturing faults (Excluding serviceable parts)

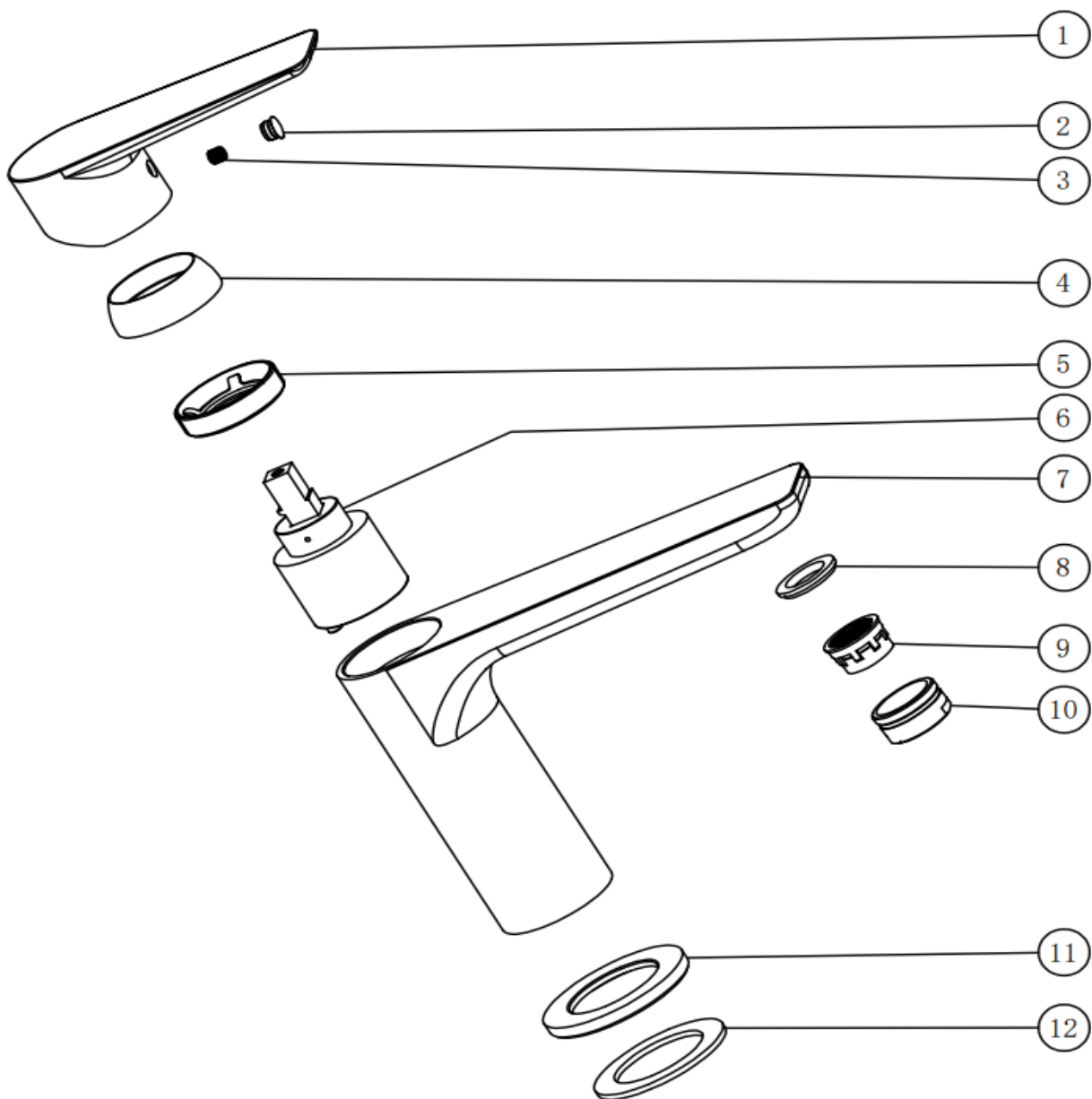
**Additional Information:** Supplied with Sprung Waste

### Flow Rates (Litres per minute)

System Pressure	0.1 Bar	0.2 Bar	0.3 Bar	0.5 Bar	1.0 Bar	1.5 Bar	2.0 Bar	3.0 Bar	4.0 Bar	5.0 Bar
167.RHBMBL	1.0	3.1	4.1	5.6	8.6	10.6	12.8	16.1	18.9	21.3

# 167.RHBMBL

THE TUNBRIDGE WELLS  
Brassware Co.



NO	Description	QTY
1	Handle	1
2	Indice cap	1
3	Screw	1
4	Collar	1
5	Lock nut	1
6	35mm Cartridge	1
7	Body	1
8	Washer	1
9	Aerator	1
10	Aerator Cap	1
11	Base Plate	1
12	Washer	1