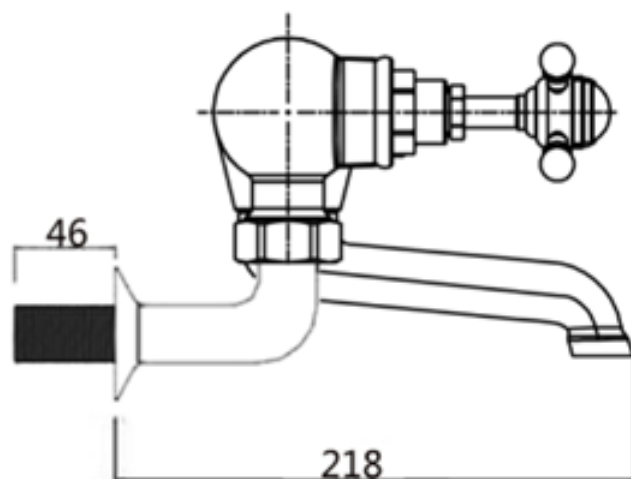
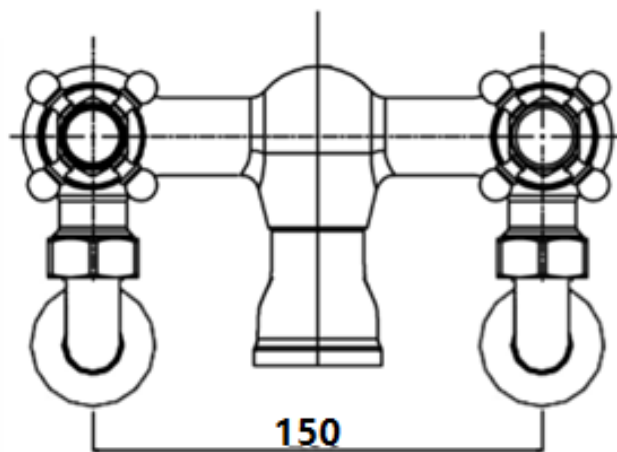


The Pantiles Wall Mounted Bath Filler (Excl. Waste)



Product Code: Chrome 167.PTWMBF

Construction: Brass Body, (CuZn39Pb2);
handles: Zinc-alloy body & with
ceramic indices

Finishes: Chrome : Ni 8-12µm,
CR: 0.25-0.3µm

Plumbing Systems: Suitable for all plumbing systems,
Hot and Cold water pressure
preferably balanced Max.
supply pressure differential
requirement no greater than 5:1

Water Pressure: Min. 0.1 bar, Max. 6.0 bar

Standards: Complies with BS5412, BS EN200

Cartridge: Full Turn G $\frac{3}{4}$ " compression valves

Aerator: Laminar spout

Fitting: Brass G $\frac{3}{4}$ " BSP tails

Packaging: 47 x 41.5 x 37cm/carton
(4 boxes)
Dimension: 39.5 x 22.5 x 17.5cm/box
Weight: 2.75Kg/box

Guarantee: 10 years against manufacturing
faults (Excluding serviceable parts)

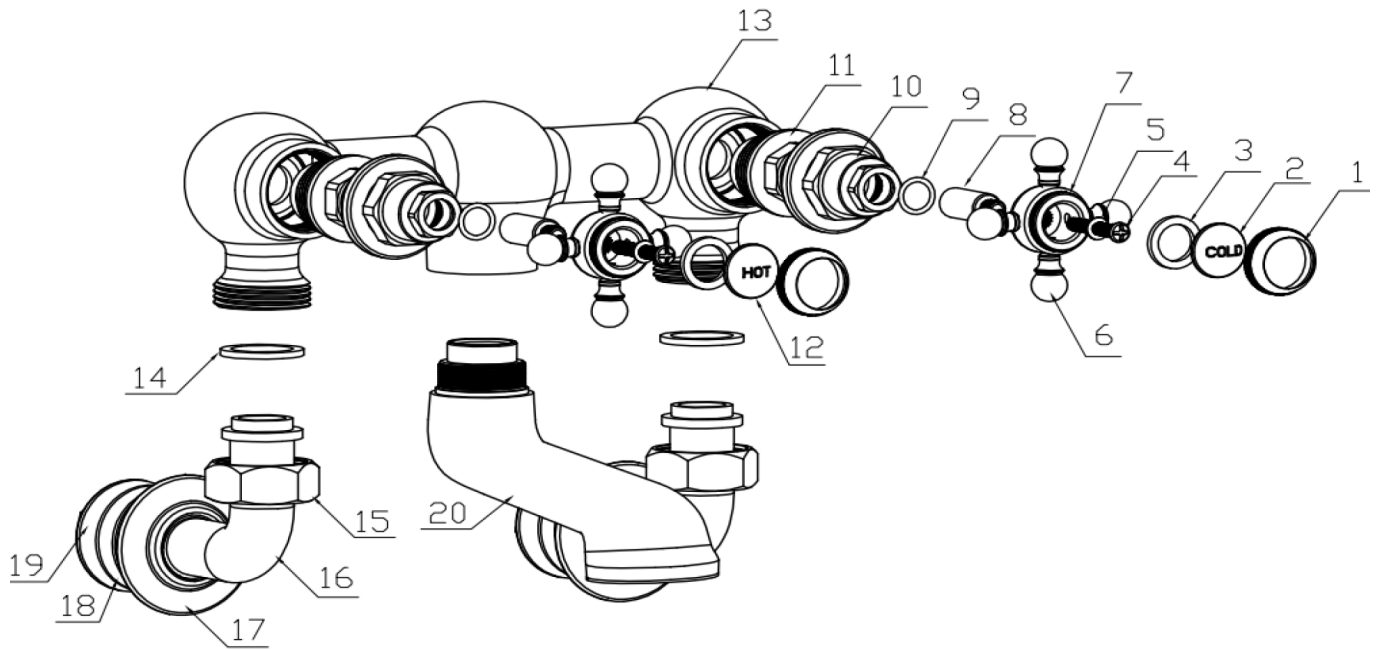
Flow Rates (litres per minute)

| System Pressure | 0.1 Bar | 0.2 Bar | 0.3 Bar | 0.5 Bar | 1.0 Bar | 1.5 Bar | 2.0 Bar | 3.0 Bar | 4.0 Bar | 5.0 Bar |
|-----------------|---------|---------|---------|---------|---------|---------|---------|---------|---------|---------|
| 167.PTWMBF | 16.1 | 21.0 | - | 32.4 | 47.4 | - | 64.8 | 78.6 | - | - |

All dimensions are in millimetres unless otherwise stated. The information contained on this page was correct at date of issue. Fitting dimensions are provided as a guide only. Some variation may occur due to manufacturing tolerances. We pursue a policy of continuing improvement in design and performance of our products and so reserve the right to change specifications without prior notice.

167.PTWMBF

THE TUNBRIDGE WELLS
Brassware Co.



| | | | | | |
|-----|------------------|-----|-----|------------------|-----|
| 10 | NUT | 2 | 20 | OUTLET | 1 |
| 9 | O-RING | 2 | 19 | PLASTIC LOCK NUT | 2 |
| 8 | CONNECTOR | 2 | 18 | RUBBER GASKET | 4 |
| 7 | HANDLE | 2 | 17 | WALL PLATE | 2 |
| 6 | HANDLE CONNECTOR | 8 | 16 | INLET PIPE | 2 |
| 5 | WASHER | 2 | 15 | LOCK NUT | 2 |
| 4 | SCREW | 2 | 14 | WASHER | 2 |
| 3 | WASHER | 2 | 13 | BODY | 1 |
| 2 | INDICE (COLD) | 1 | 12 | INDICE (HOT) | 1 |
| 1 | CAP | 2 | 11 | CARTRIDGE | 2 |
| No. | DESCRIPTION | QTY | No. | DESCRIPTION | QTY |