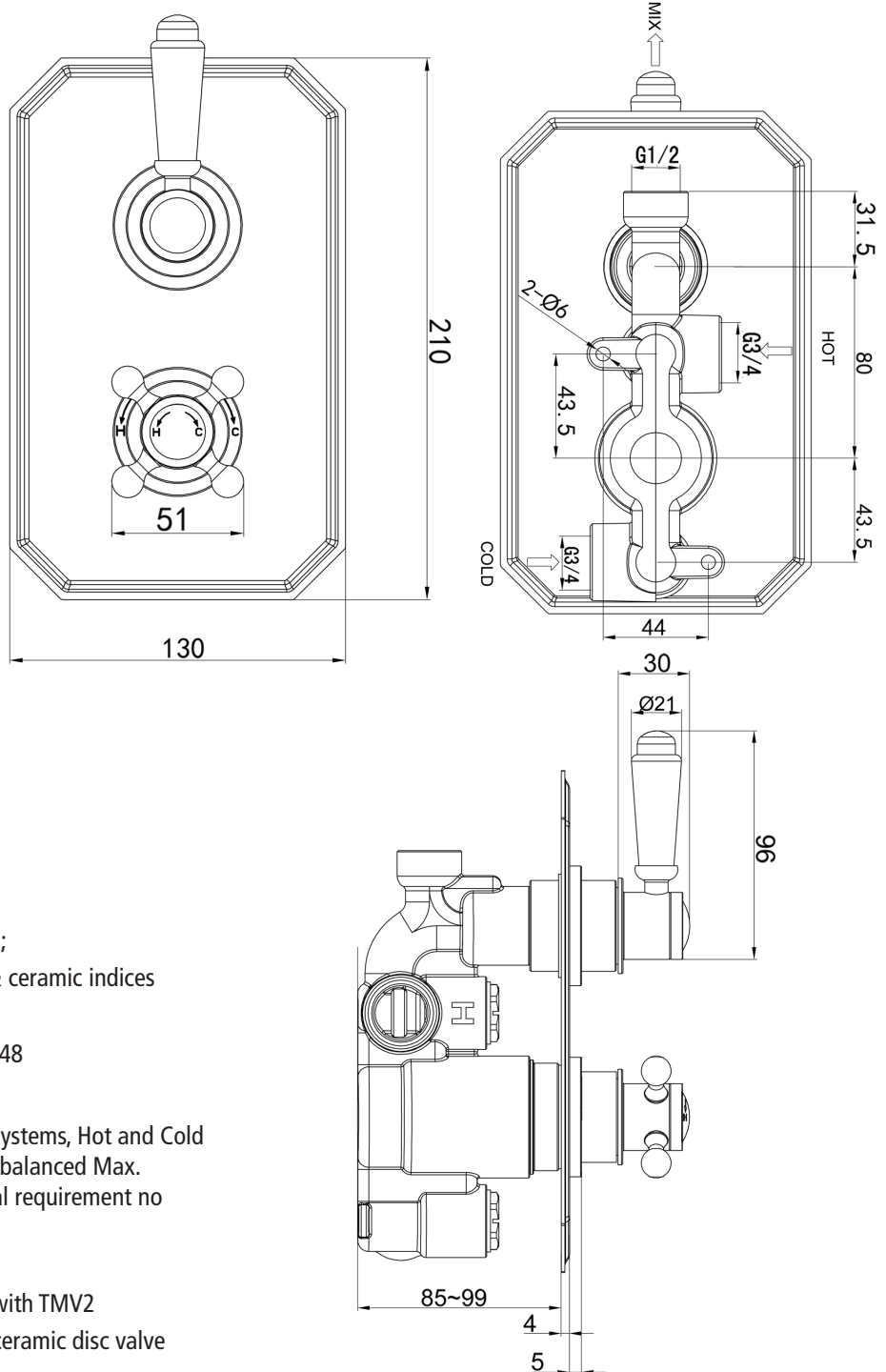


## The Pantiles One Way Concealed Thermostatic Shower - Single outlet



- Product Code:** Chrome 167.PT1TSV
- Construction:** Brass Body, (CuZn38Pb18);  
handles: Zinc-alloy body & ceramic indices  
Wall plate: brass
- Finishes:** Chrome plated to BS EN 248
- Water Pressure:** 0.5 bar, max 6.0 bar
- Plumbing Systems:** Suitable for all plumbing systems, Hot and Cold water pressure preferably balanced Max. supply pressure differential requirement no greater than 5:1
- Standards:** Complies with BSEN 1111
- Certification:** Manufactured to comply with TMV2
- Cartridge:** Thermostatic cartridge & ceramic disc valve
- Check valve:** 0.5-10 gpm (EN1717)
- Fitting:** Inlet: Two brass G3/4" BSP female thread (hot and cold)  
Outlet: One brass G1/2" BSP female thread
- Packaging:** 44.5 x 28.5 x 21 cm/carton (8 boxes)  
Dimension: 27 x 21.5 x 9.5 cm/box  
Weight: 2.88 Kg/box

**Guarantee:** 10 years against manufacturing faults (Excluding serviceable parts)

**Additional information:**

1. Temperature: pre-set 38°C with push button override to 48°C
2. Automatic shut off in the event of hot or cold water supply failure

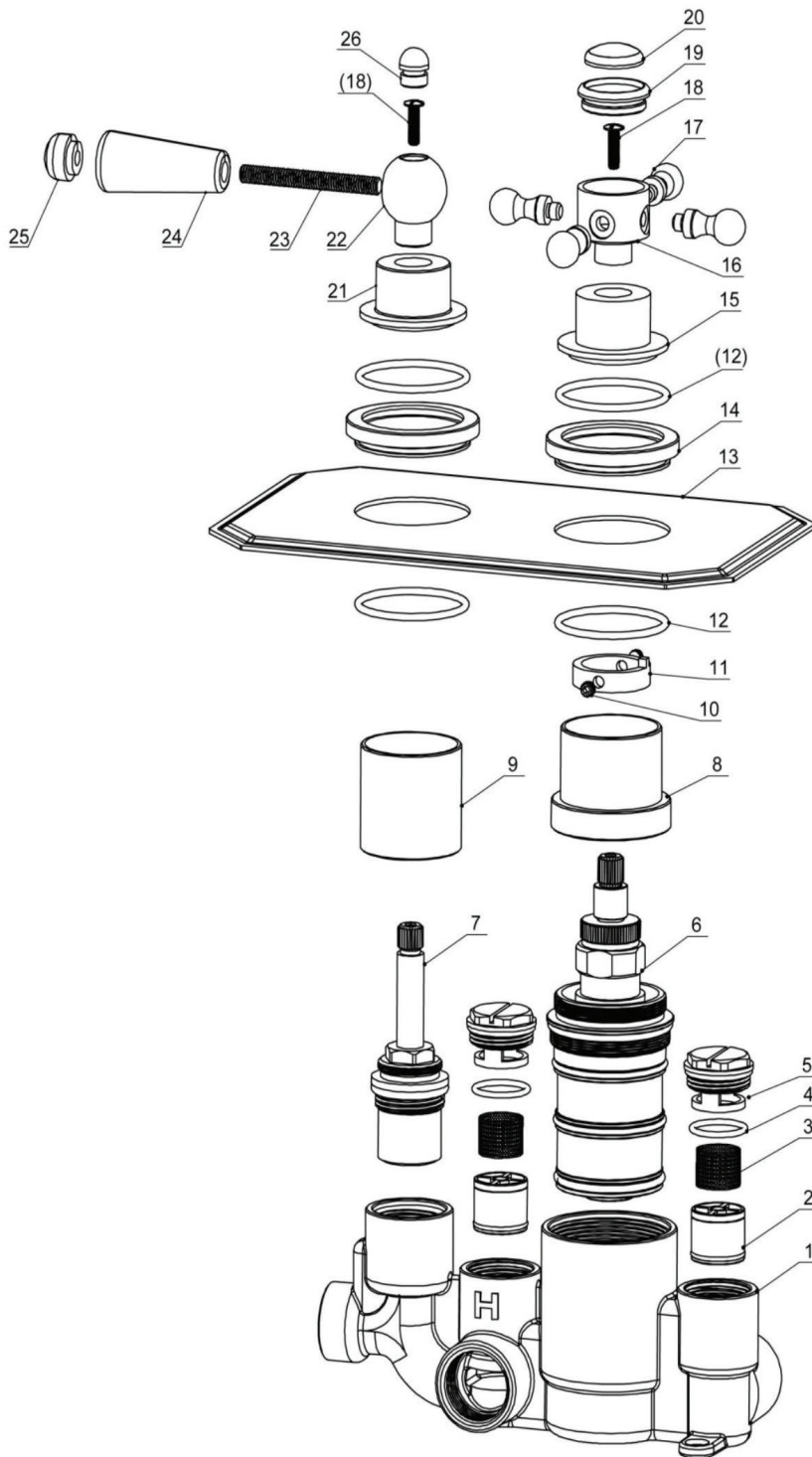
### Flow Rates (litres per minute)

System Pressure	0.1 Bar	0.2 Bar	0.3 Bar	0.5 Bar	1.0 Bar	1.5 Bar	2.0 Bar	3.0 Bar	4.0 Bar	5.0 Bar
167.PT1TSV	-	-	-	12.4	18.4	22.1	26.7	32.1	37.4	42.2

All dimensions are in millimetres unless otherwise stated. The information contained on this page was correct at date of issue. Fitting dimensions are provided as a guide only. Some variation may occur due to manufacturing tolerances. We pursue a policy of continuing improvement in design and performance of our products and so reserve the right to change specifications without prior notice.

# 167.PT1TSV

THE TUNBRIDGE WELLS  
Brassware Co.



26	Cap	1
25	Indice Cap	1
24	Handle Cover	1
23	Handle Bar	1
22	Knob	1
21	Collar	1
20	Indice Cap	1
19	Cap	1
18	Screw	2
17	Lever	4
16	Temperature Control Handle	1
15	Collar	1
14	Cover Plate Inner Ring	2
13	Cover Plate	1
12	O Ringg	4
11	Brass Ring	1
10	Grub Screw	2
9	Flow Control Valve Shroud	1
8	Temperature Housing Shroud	1
7	Flow Control On/Off Cartridge	1
6	Thermostatic Cartridge	1
5	Brass Nut	2
4	O Ring	2
3	Thread	2
2	Filter	2
1	Valve Body	1
Item	DESCRIPTION	QTY