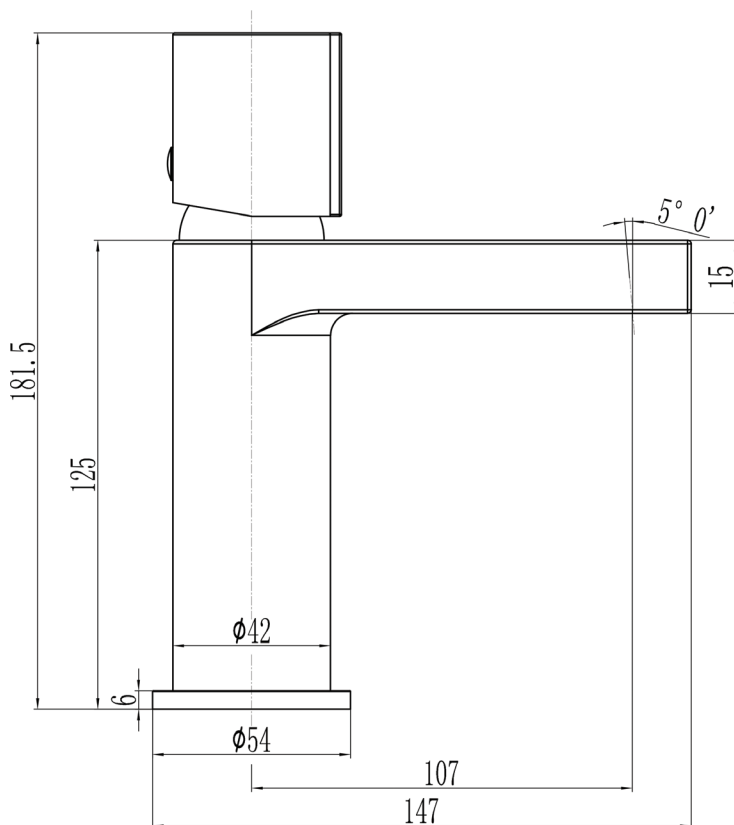


Pembury Mono Basin Mixer (Inc. Waste)



Product Code: Chrome 167.PBBM
Matt Black 167.PBBMBL

Construction: Brass Body (CuZn40Pb2),
EN CW617N
(equivalent to BS CZ122)
Zinc-alloy handle

Water Pressure: Min. 0.2 bar, Max. 6.0 bar

Plumbing Systems: Suitable for all plumbing systems,
Hot and Cold water pressure
preferably balanced Max.
supply pressure differential
requirement no greater than 5:1

Standards: Complies with BS6920, BS EN200

Cartridge: 35mm ceramic disc cartridge

Aerator: Spout aerator

Fitting: UK: M10 x 350mm G1/2"
BSP female flexi tails
EU: M10 x 350mm G3/8"
BSP female flexi tails

Packaging: 35.5 x 26.5 x 42cm / carton
(10 boxes)
Dimension: 25.5 x 17 x 8cm / box
Weight: 1.50Kg / box

Guarantee: 10 years against manufacturing
faults (Excluding serviceable parts)

Additional Information: Supplied with G1 1/4"
Slotted Click Clack Waste

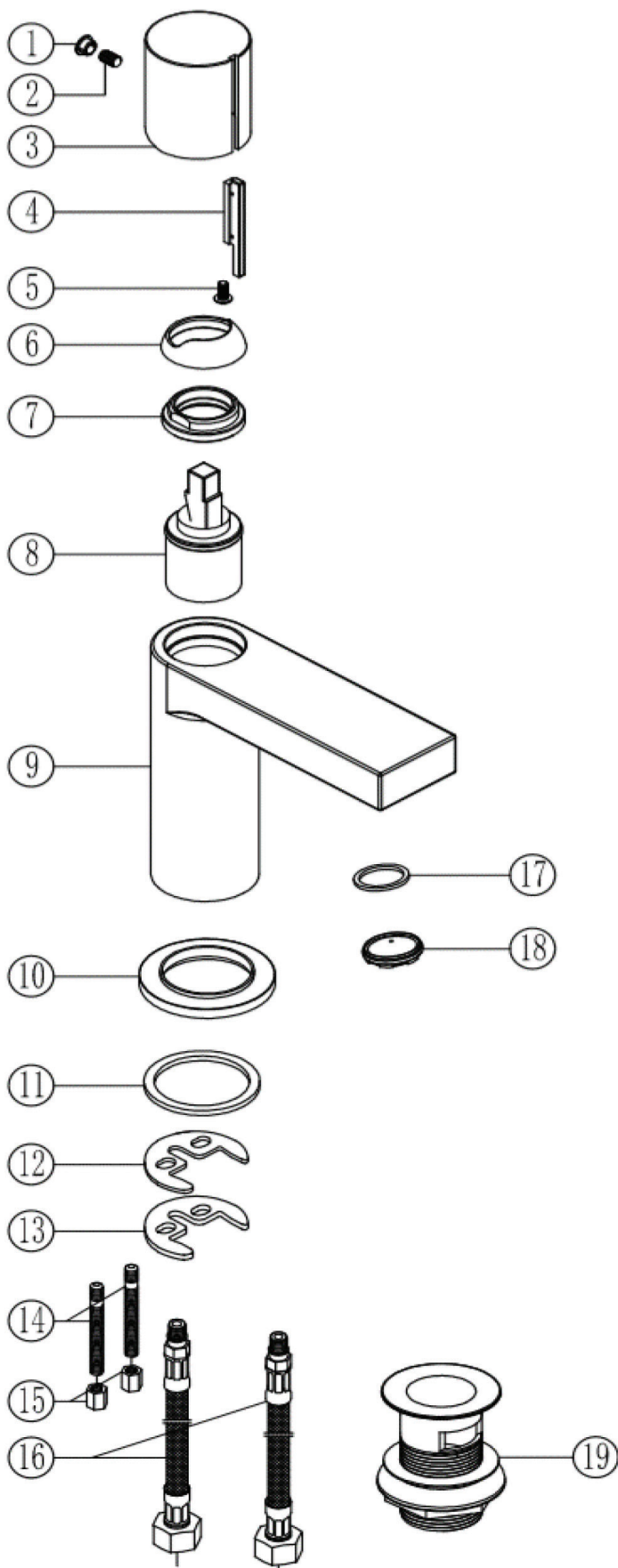
Flow Rates (litres per minute)

System Pressure	0.1 Bar	0.2 Bar	0.3 Bar	0.5 Bar	1.0 Bar	1.5 Bar	2.0 Bar	3.0 Bar	4.0 Bar	5.0 Bar
167.PBBM/BL	-	4.7	-	6.8	9.5	11.4	13.2	16.0	-	-

All dimensions are in millimetres unless otherwise stated. The information contained on this page was correct at date of issue. Fitting dimensions are provided as a guide only. Some variation may occur due to manufacturing tolerances. We pursue a policy of continuing improvement in design and performance of our products and so reserve the right to change specifications without prior notice.

167.PBBM/BL

THE TUNBRIDGE WELLS
Brassware Co.



NO.	DESCRIPTION	QTY
1	COVER CAP	1
2	GRUB SCREW	1
3	HANDLE	1
4	DECORATIVE STRIP	1
5	GRUB SCREW	1
6	COLLAR	1
7	BRASS NUT	1
8	35MM CARTRIDGE	1
9	BODY	1
10	BASE PLATE	1
11	WASHER	1
12	HORSE-SHOE WASHER	1
13	HORSE-SHOE FIXING	1
14	FIXING ROD	2
15	FIXING NUT	2
16	FLEXI-TAIL	2
17	SPOUT WASHER	1
18	AERATOR	1
19	G1-1/4" SPRUNG WASTE	1