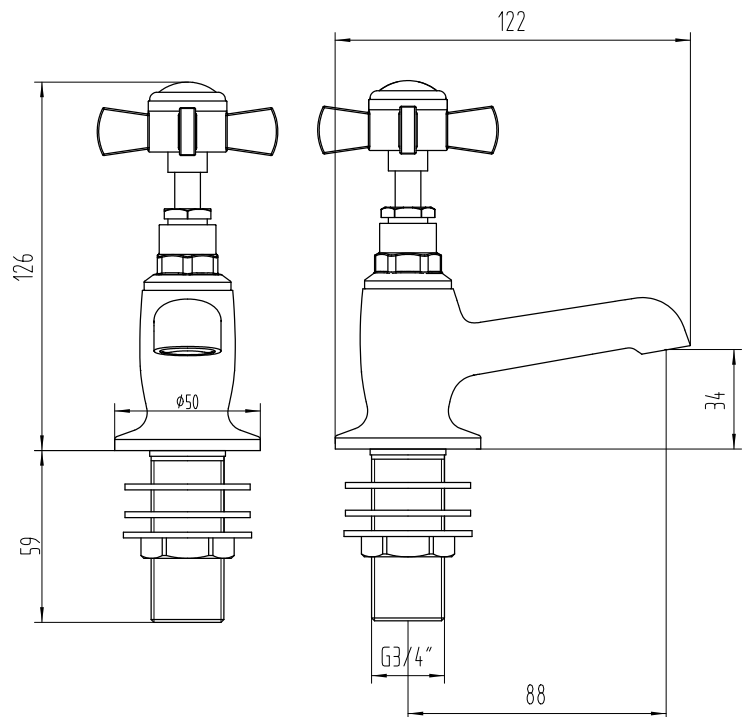


## Molyneux Bath Taps (Excl. Waste)

- Product Code:** Chrome 167.MNBAT
- Construction:** Brass Body (CuZn40Pb2), EN CW617N (equivalent to BS CZ122) Zinc-alloy handle
- Finishes:** Chrome plated to BS EN 248
- Water Pressure:** Min. 0.5 bar, Max. 6.0 bar
- Plumbing Systems:** Suitable for all plumbing systems, Hot and Cold water pressure preferably balanced Max. supply pressure differential requirement no greater than 5:1
- Standards:** Complies with BS5412, BS EN 200
- Cartridge:** Full turn, 1/2" compression valves
- Aerator:** Laminar stream straightener
- Fitting:** Brass G3/4" BSP tails
- Packaging:** 33.5 x 30.5 x 34.5cm/carton (10 boxes)  
Dimension: 29 x 16 x 6.5cm/box  
Weight: 1.25Kg/box
- Guarantee:** 10 years against manufacturing faults (excluding serviceable parts)



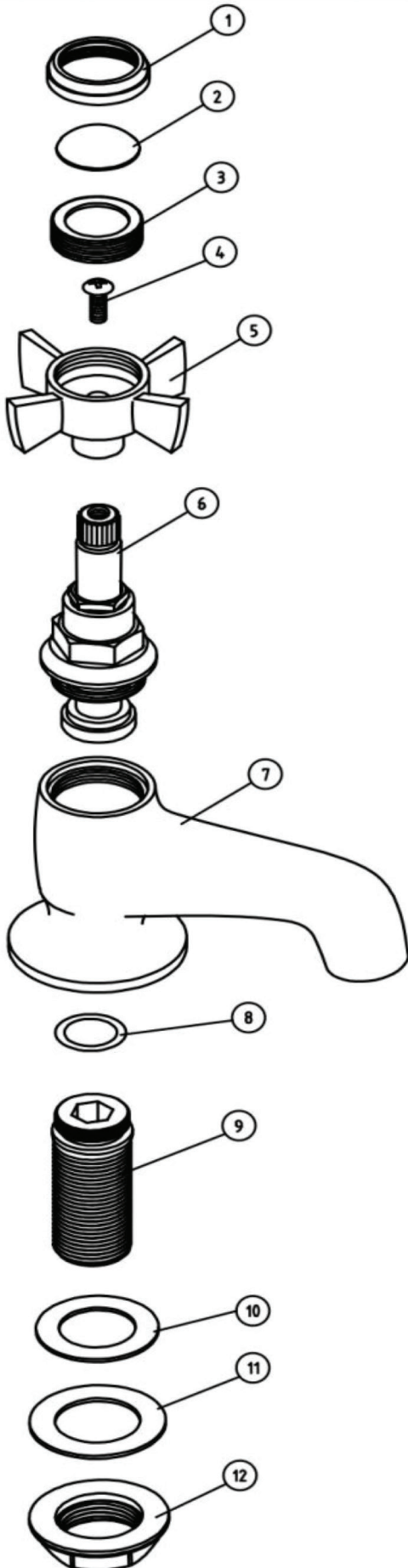
### Flow Rates (litres per minute)

System Pressure	0.1 Bar	0.2 Bar	0.3 Bar	0.5 Bar	1.0 Bar	1.5 Bar	2.0 Bar	3.0 Bar	4.0 Bar	5.0 Bar
167.MNBAT	5.0	9.2	-	15.5	21.5	28.0	31.0	38.0	-	-

All dimensions are in millimetres unless otherwise stated. The information contained on this page was correct at date of issue. Fitting dimensions are provided as a guide only. Some variation may occur due to manufacturing tolerances. We pursue a policy of continuing improvement in design and performance of our products and so reserve the right to change specifications without prior notice.

# 167.MNBAT

THE TUNBRIDGE WELLS  
Brassware Co.



NO.	ITEM CODE	DESCRIPTION	QTY
1	KC01-01	COVER	2
2	KC01-02	INDICE	1 PAIR
3	KC01-03	COVER	2
4	KC01-04	SCREW	2
5	KC01-05	HANDLE	2
6	KC01-06	G3/4" CARTRIDGE	2
7	KC01-07	G3/4" TAP BODY	2
8	KC01-08	24*2.4	2
9	KC01-09	G3/4" INLET	2
10	KC01-10	WASHER	2
11	KC01-11	WASHER	2
12	KC01-12	G3/4" BACK NUT	2