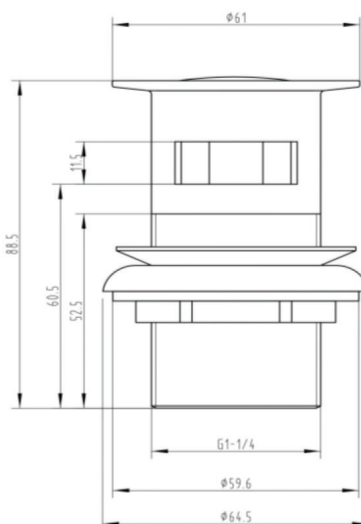
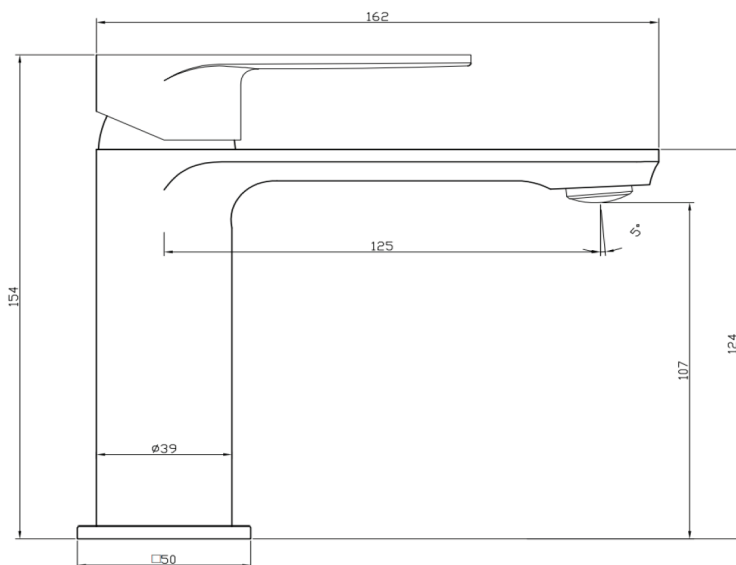


## Langton Mono Basin Mixer - Matt Brushed Brass



**Product Code:** 167.LTBMMBB

**Construction:** Brass Body, Zinc-alloy Handle

**Finishes:** Matt Brushed Brass

**Water Pressure:** Min. 1.0 bar, Max. 6.0 bar

**Plumbing Systems:**

Suitable for all plumbing systems, Hot and Cold water pressure preferably balanced. Max. supply pressure differential requirement no greater than 5:1

**Cartridge:** WANHAI 35mm ceramic disc

**Fitting:** G ½ “ Flexible tails

**Packaging:** Dimension: 46 x 28 x 42 cm/box, 27 x 22 x 8 cm/Box; Weight: 1.09 kg/box

**Guarantee:** 10 years against manufacturing faults (Excluding serviceable parts)

**Additional Information:** Supplied with sprung waste

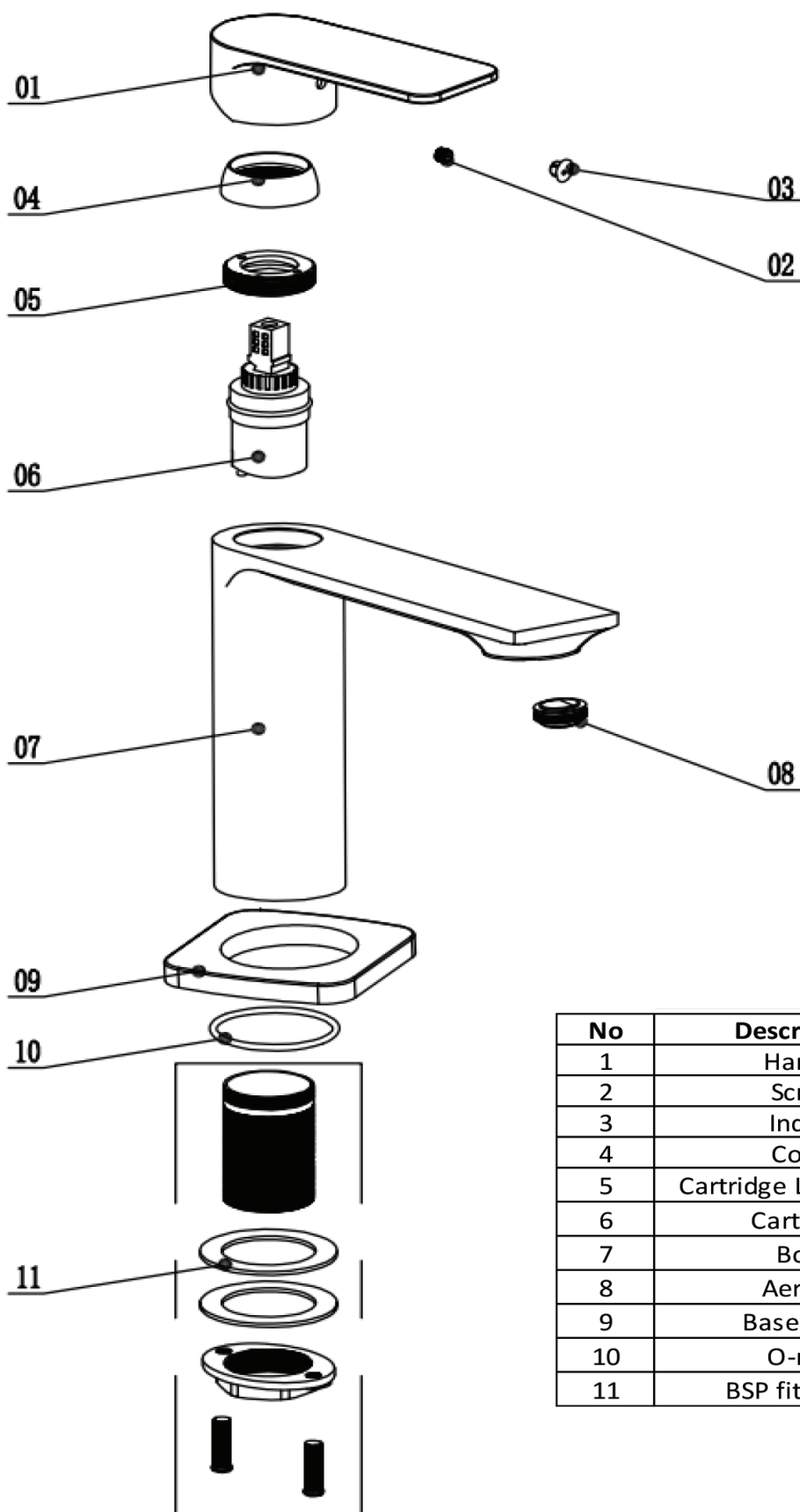
**Flow Rates** (litres per minute)

System Pressure	0.1 Bar	0.2 Bar	0.3 Bar	0.5 Bar	1.0 Bar	1.5 Bar	2.0 Bar	3.0 Bar	4.0 Bar	5.0 Bar
167. LTBMMBB	0.7	0.9	1.1	1.9	3.4	4.5	5.5	7.2	8.6	9.8

All dimensions are in millimetres unless otherwise stated. The information contained on this page was correct at date of issue. Fitting dimensions are provided as a guide only. Some variation may occur due to manufacturing tolerances. We pursue a policy of continuing improvement in design and performance of our products and so reserve the right to change specifications without prior notice.

# 167.LTBMMBB

THE TUNBRIDGE WELLS  
Brassware Co.



No	Description	QTY
1	Handle	1
2	Screw	1
3	Indice	1
4	Collor	1
5	Cartridge Locking Nut	1
6	Cartridge	1
7	Body	1
8	Aerator	1
9	Base Plate	1
10	O-ring	1
11	BSP fitting kit	1