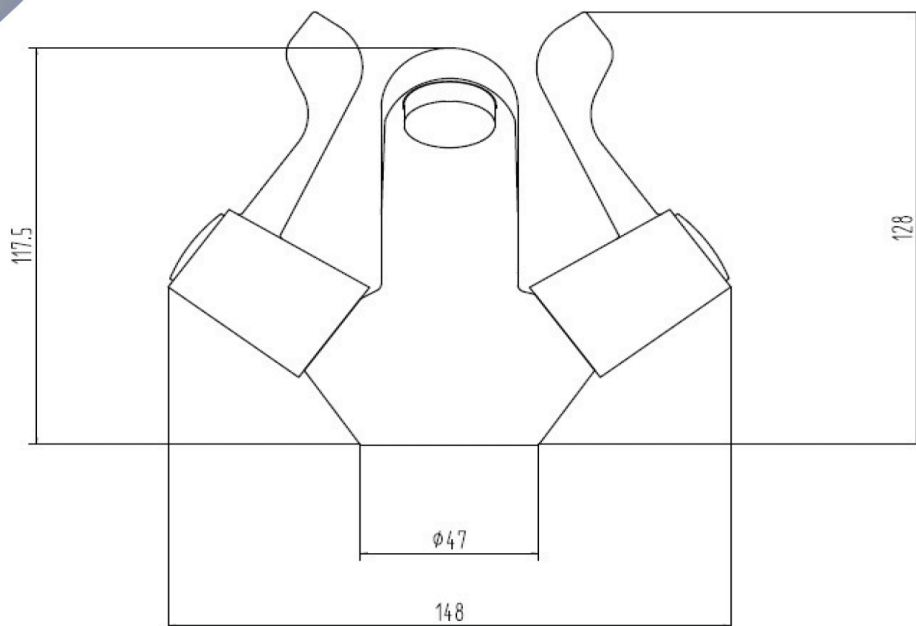


DATA SHEET

THE TUNBRIDGE WELLS
Brassware Co.

Lever Mono Basin Mixer (Chrome)



Product Code: 167.LBM
Construction: Brass Body (CuZn40Pb2), Zinc-alloy handles
Finishes: Chrome plated to BS EN 248
Water Pressure: Min. 0.1 bar, Max. 6.0 bar
Plumbing Systems: Suitable for all plumbing systems
Standards: Complies with BS5412, BS EN200
Cartridge: 1/4 Turn 1/2" Ceramic Disc Valves

Net Weight: 925g (Tap only)
Fitting: G 1/2" BSP Flexible tail pipes
Aerator: Spout aerator
Packaging: 42 x 26.5 x 35.5cm/carton (10 boxes); Dimension: 25.5 x 17 x 8cm/box; Weight: 1.35Kg/box
Guarantee: 10 years against manufacturing faults (Excluding serviceable parts)
Additional Information: Supplied with G 1 1/4" sprung waste (UK only)

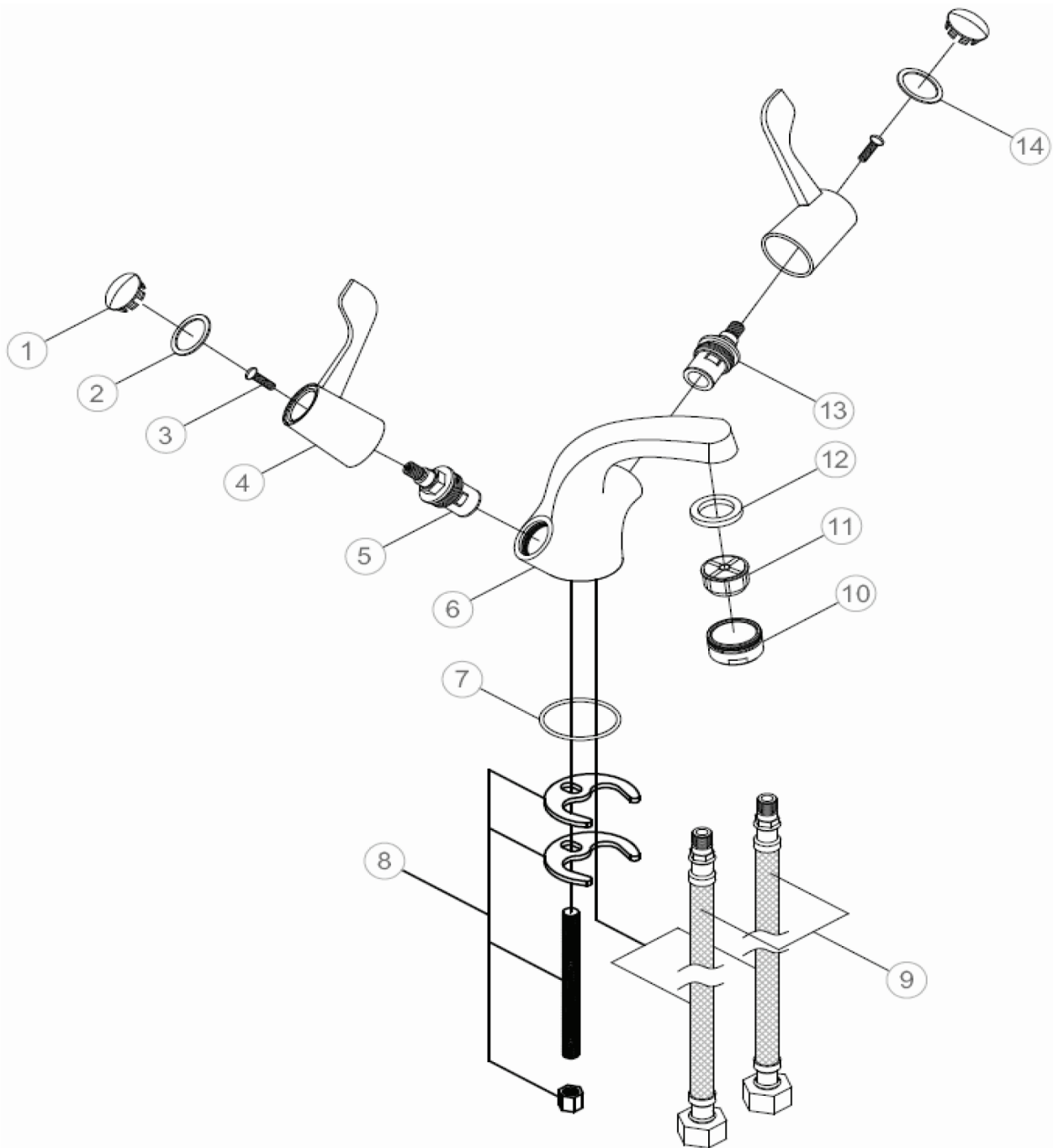
Flow Rates (litres per minute)

System Pressure	0.1 Bar	0.2 Bar	0.3 Bar	0.5 Bar	1.0 Bar	1.5 Bar	2.0 Bar	3.0 Bar	4.0 Bar	5.0 Bar
167.LBM	-	6.8	-	12.3	16.8	20.7	23.0	25.8	-	-

All dimensions are in millimetres unless otherwise stated. The information contained on this page was correct at date of issue. Fitting dimensions are provided as a guide only. Some variation may occur due to manufacturing tolerances. We pursue a policy of continuing improvement in design and performance of our products and so reserve the right to change specifications without prior notice.

167.LBM

THE TUNBRIDGE WELLS
Brassware Co.



7	O-RING	1	14	WASHER	1
6	BODY	1	13	COLD CARTRIDGE	1
5	HOT CARTRIDGE	1	12	WASHER	1
4	HANDLE	2	11	AERATOR	1
3	SCREW	2	10	NOZZLE	1
2	WASHR	1	9	FLEXI TAILS	1
1	INDICE	2	8	FITTING KIT	1
No.	DESCRIPTION	QTY	No.	DESCRIPTION	QTY