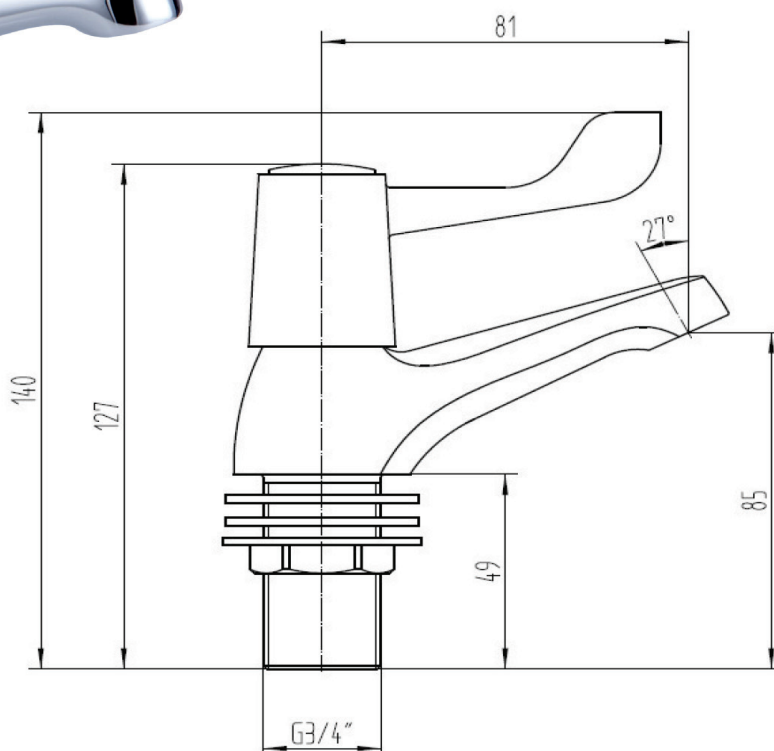


Lever Bath Taps (Chrome)



Product Code: 167.LBAT
Construction: Brass Body ; Zinc alloy handle
Finishes: Chrome plated to BS EN 248
Water Pressure: Min. 0.5 bar, Max. 6.0 bar
Plumbing Systems: Suitable for all plumbing systems
Standards: Complies with BS5412, BS EN200
Cartridge: 1/4 Turn 1/2" Ceramic Disc Valves

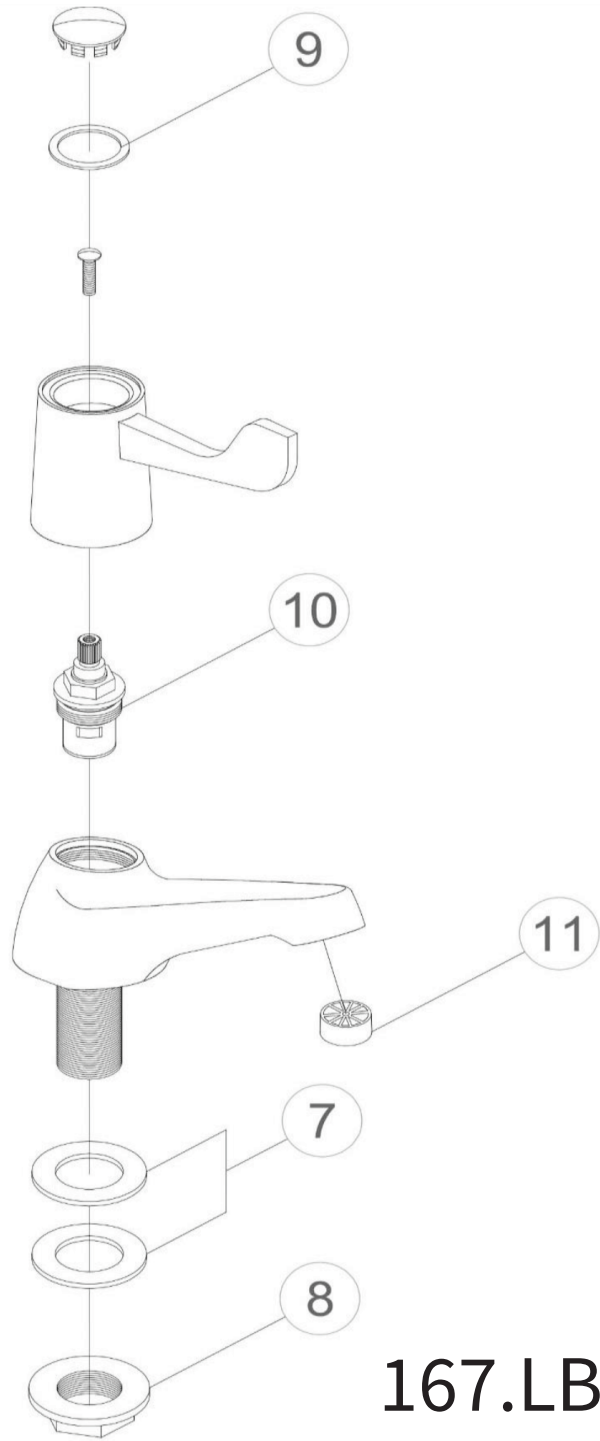
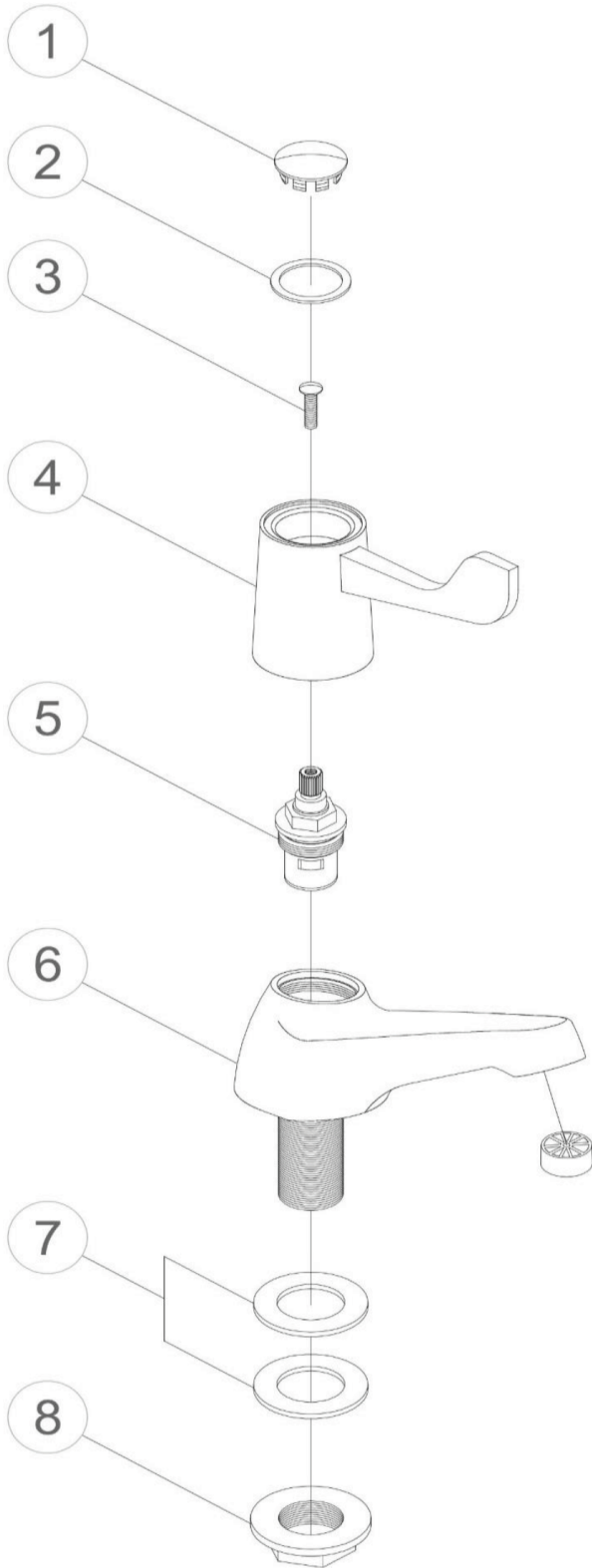
Net Weight: 905g
Aerator: Laminar spout
Fitting: Brass G 3/4" BSP tails
Packaging: 37 x 27.5 x 20.5 cm / Carton (10 boxes);
 Dimension: 19.5 x 13 x 7cm/ box;
 Weight: 0.95Kg / box
Guarantee: 10 years against manufacturing faults
 (Excluding serviceable parts)

Flow Rates (litres per minute)

System Pressure	0.1 Bar	0.2 Bar	0.3 Bar	0.5 Bar	1.0 Bar	1.5 Bar	2.0 Bar	3.0 Bar	4.0 Bar	5.0 Bar
167.LBAT	-	8.7	-	12.4	20.0	22.7	24.3	26.5	-	-

All dimensions are in millimetres unless otherwise stated. The information contained on this page was correct at date of issue. Fitting dimensions are provided as a guide only. Some variation may occur due to manufacturing tolerances. We pursue a policy of continuing improvement in design and performance of our products and so reserve the right to change specifications without prior notice.

THE TUNBRIDGE WELLS
Brassware Co.



167.LBAT

11	AERATOR	2
10	COLD CARTRIDGE	1
9	WASHER	1
8	BACKNUT	2
7	WASHER	4
6	BODY	1
5	HOT CARTRIDGE	1
4	HANDLE	2
3	SCREW	2
2	WASHER	1
1	INDICE	2
No.	DESCRIPTION	QTY