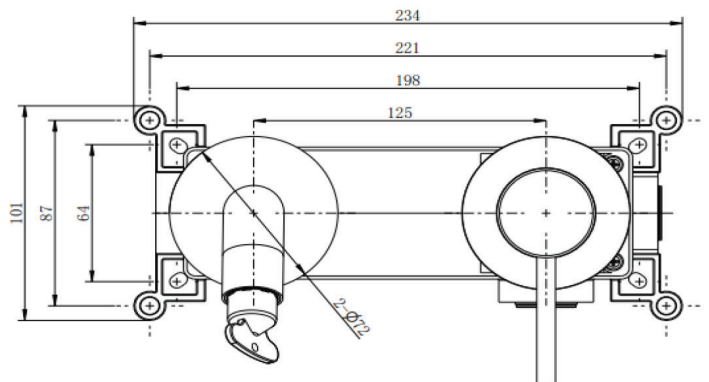
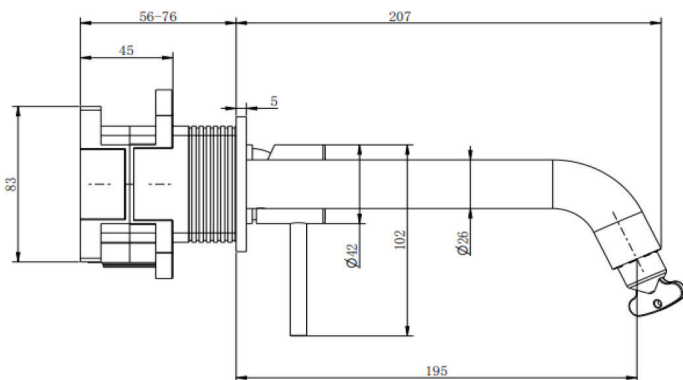


DATA SHEET

THE TUNBRIDGE WELLS
Brassware Co.

Bowl Wall Mounted Basin Mixer - Matt Black



Product Code: 167.BWWMSLBMBL

Construction: Brass Body

Finishes: Matt Black

Water Pressure: Min. 0.5 bar, Max. 6.0 bar

Plumbing Systems: Suitable for all plumbing systems, Hot and Cold water pressure preferably balanced. Max. supply pressure differential requirement no greater than 5:1

Standards: Complies with BS5412, BS EN200

Certification: WRAS Approved

Fittings: EasyBox - Inlet G $\frac{1}{2}$ " , Outlet G $\frac{1}{2}$ "

Packaging: 53 x 31.5 x 62cm/carton (10 boxes), Dimension: 29.5 x 25.5 x 15.5cm/box; Weight: 1.55Kg/box

Guarantee: 10 years against manufacturing faults (Excluding serviceable parts)

Flow Rates (litres per minute)

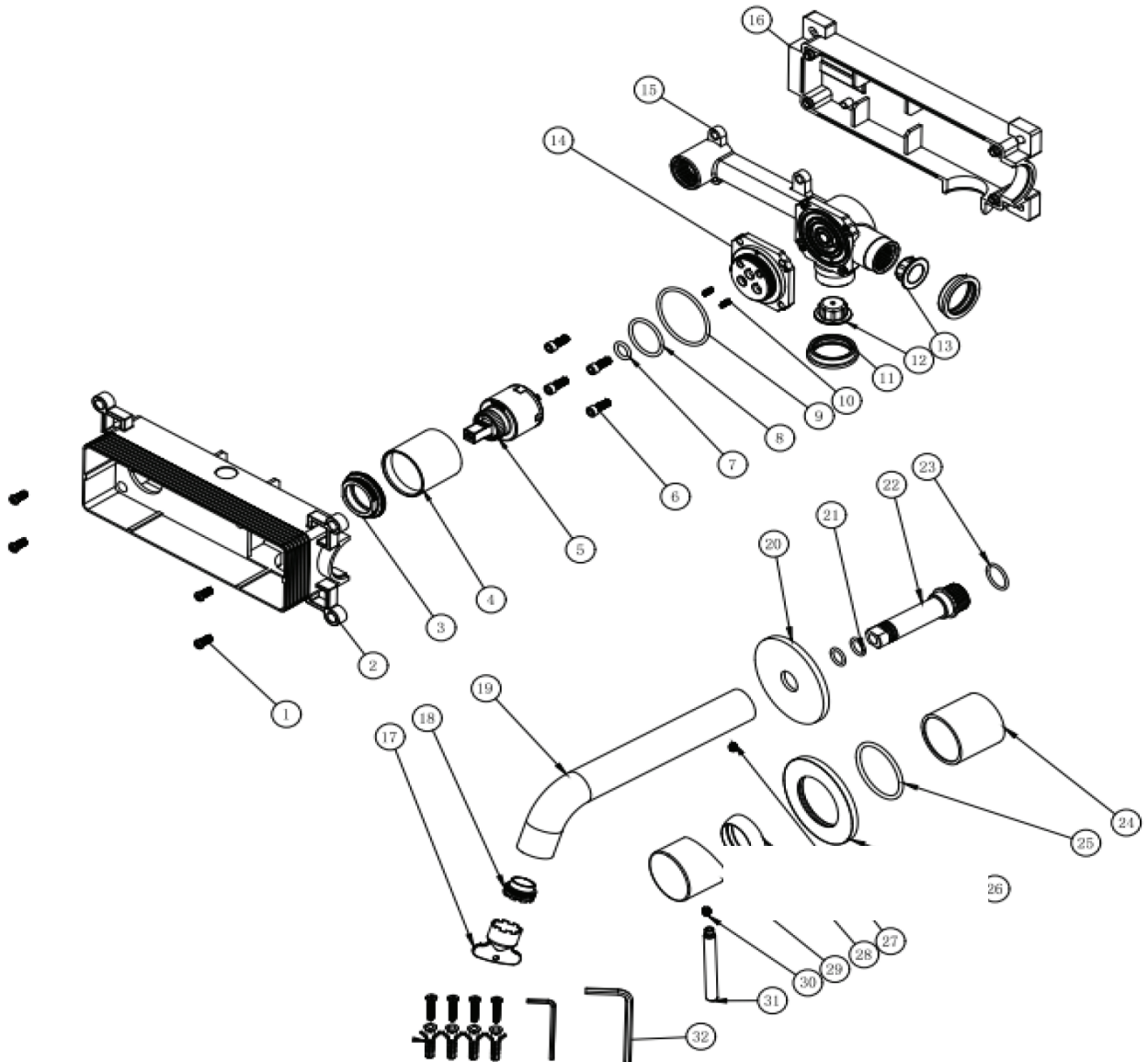
System Pressure	0.1 Bar	0.2 Bar	0.3 Bar	0.5 Bar	1.0 Bar	1.5 Bar	2.0 Bar	3.0 Bar	4.0 Bar	5.0 Bar
167.BWWMSLBMBL	2.0	3.0	3.9	5.3	8.0	10.1	11.9	14.9	17.4	19.7



All dimensions are in millimetres unless otherwise stated. The information contained on this page was correct at date of issue. Fitting dimensions are provided as a guide only. Some variation may occur due to manufacturing tolerances. We pursue a policy of continuing improvement in design and performance of our products and so reserve the right to change specifications without prior notice.

167.BWWMSLBM BL

THE TUNBRIDGE WELLS
Brassware Co.



NO	DESCRIPTION	QTY
32	Fitting Kit	1
31	Handle level	1
30	Screw	1
29	Handle body	1
28	Collar	1
27	Screw	1
26	Base plate	1
25	O-ring	1
24	Cover	1
23	O-ring	1
22	Outlet connector	1
21	O-ring	2
20	Base Plate	1
19	Spout	1
18	Aerator	1
17	Aerator Unlock ket	1

NO	DESCRIPTION	QTY
16	Easy Box Bottom Part	1
15	Brass Body	1
14	Cartridge Stand	1
13	G1/2 Protect cover (blue)	1
12	G1/2 Protect cover (red)	2
11	Plastic Ring	2
10	Screw	1
9	O-ring	1
8	O-ring	1
7	O-ring	1
6	Screw	4
5	Low cartridge	1
4	Cartridge Collar	1
3	Lock Nut	1
2	Easy Box Top Part	1
1	Screw	4