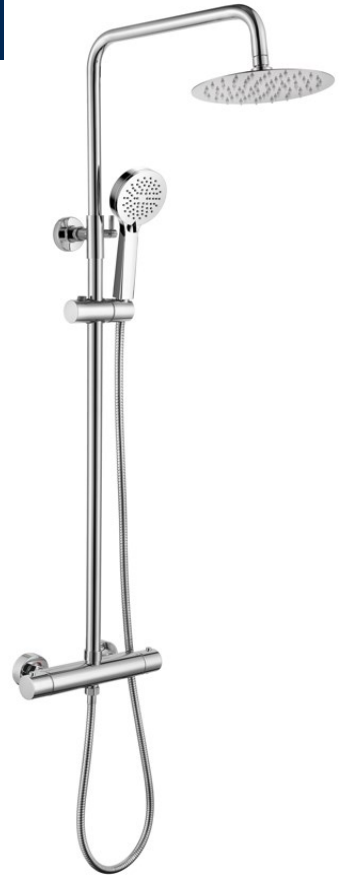
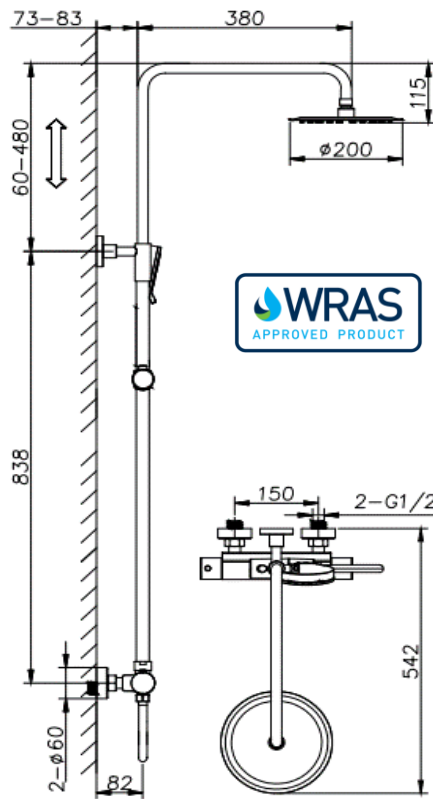
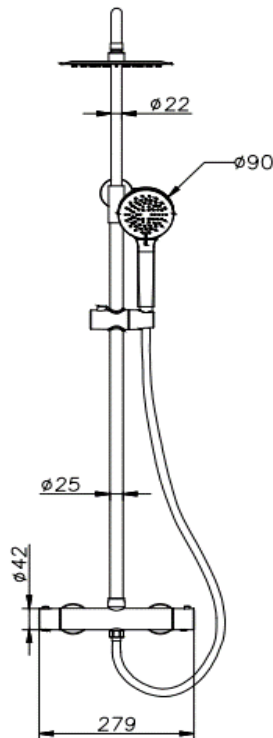


Bewl Round Thermostatic Shower Valve & Kit



Product Code: Chrome 167.BWRTS

Construction: Valve: High Performance Polyamide (PPA)
Body & SS201 Stainless steel Casing; SS201
Stainless steel Riser rail & Base plates; Zinc-
alloy Handles

Finishes: Chrome plated to BS EN 248

Water Pressure: Min. 0.2 bar (handset),
0.5 bar (shower head) Max. 6.0 bar

Plumbing Systems: Suitable for all plumbing systems, Hot and
Cold water pressure preferably balanced,
max. supply pressure differential require
ment no greater than 5:1

Standards: Complies with BS EN 1111

Cartridge: WANHAI Thermostatic cartridge &
Integrated Ceramic disc valve diverter

Fitting: SS304 S-Union connectors (Male thread
offset 1/2 inch x 3/4" BSP with Escutcheon);
Brass G1/2" BSP Male bottom outlet &
G3/4" BSP Male upper outlet connection

Certification: WRAS approved and certified

Packaging: 93 x 43.5 x 36cm / carton (4 boxes),
Dimension: 91 x 42 x 8.5cm / box

Guarantee: 10 years against manufacturing faults
(excluding serviceable parts)

Additional Information:

1. Temperature: Pre-set 38°C, with push button override to 48°C
2. Automatic shut off in the event of hot or cold water supply failure
3. COOL TOUCH Bar Valve technology
4. Ultra Slim Shower head : Chrome, SS304, Ø200mm, easy clean rubber nozzles
5. Shower handset : Chrome, ABS, 3 modes, rubber nozzles, G1/2" BSP
6. Handset holder : Chrome, ABS, adjustable height
7. Shower hose : Chrome, SS304 double interlock, 1.5m, Large Ø11mm bore
8. Riser rail : Chrome, SS201 Stainless steel, telescopic adjustable height

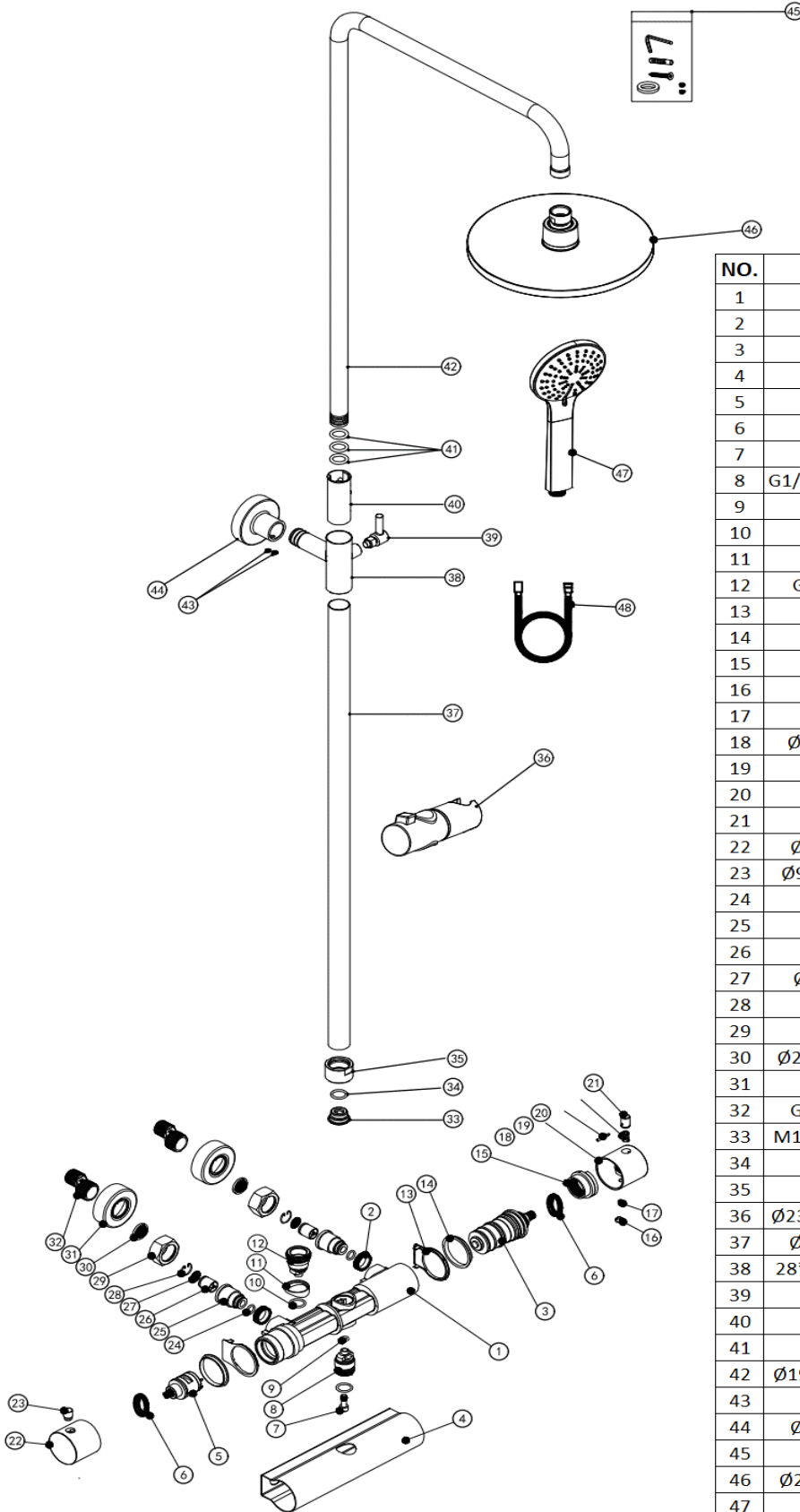
Flow Rates (litres per minute)

System Pressure	0.1 Bar	0.2 Bar	0.3 Bar	0.5 Bar	1.0 Bar	1.5 Bar	2.0 Bar	3.0 Bar	4.0 Bar	5.0 Bar
167.BWRTS	4.5	6.5	8.1	10.6	15.2	-	-	-	-	-

The information contained on this page was correct at date of issue. Fitting dimensions are provided as a guide only. Some variation may occur due to manufacturing tolerances. We pursue a policy of continuing improvement in design and performance of our products and so reserve the right to change specifications without prior notice.

167.BWRTS

THE TUNBRIDGE WELLS
Brassware Co.



NO.	PART DESCRIPTION	QTY
1	PPA VALVE BODY	1
2	M18*1.5L BRASS CONNECTOR	2
3	BRASS THERMOSTATIC CARTRIDGE	1
4	SS201 SHOWER VALVE CASING	1
5	BRASS CERAMIC ON/OFF CARTRIDGE	1
6	M35*1*6 BRASS CARTRIDGE NUT	2
7	M6*15*9.2 SS304 S/STEEL SCREW	1
8	G1/2*21.2*31.5 BRASS OUTLET CONNECTOR	1
9	Ø5*2.1 NBR O-RING	1
10	Ø14*2 NBR O-RING	2
11	Ø26*8.2 BRASS DECORATIVE COVER	1
12	G3/4*33.5 BRASS OUTLET CONNECTOR	1
13	ABS HANDLE SIDE COVER	2
14	Ø41.5*Ø36*5 POM WASHER	2
15	Ø33.5*16.2 ABS THERMO STOP RING	1
16	Ø9.8*6 ABS HANDLE COVER CAP	2
17	M5*5 SS304 S/STEEL GRUB SCREW	2
18	Ø42*37.5 ZINC-ALLOY THERMO HANDLE	1
19	SS304 S/STEEL HANDLE PIN	1
20	Ø7*0.5*11.5 SS304 S/STEEL SPRING	1
21	Ø9.6*14 ABS HANDLE PUSH BUTTON	1
22	Ø42*37.5 ZINC-ALLOY ON/OFF HANDLE	1
23	Ø9.8*13.3 BRASS ON/OFF HANDLE LEVER	1
24	Ø9*1.8 NBR O-RING	2
25	M18*1.5L BRASS INLET CONNECTOR	2
26	Ø14*16 CHECK VALVE	2
27	Ø13.8*0.2 SS304 S/STEEL FILTER MESH	2
28	Ø17.7*1 SS304 S/STEEL CIRCLIP	2
29	G3/4*S30*15 BRASS LOCK NUT	2
30	Ø24*14*9.5 NBR+S/S 3/4" FILTER WASHER	2
31	Ø60*20 SS201 S/STEEL BASE PLATE	2
32	G1/2*G3/4*49 SS304 S/STEEL S-UNION	2
33	M18*1.5L SS201 S/STEEL RAIL CONNECTOR	1
34	Ø14*2.2 NBR O-RING	1
35	G3/4*30*18 BRASS NUT	1
36	Ø23*Ø38.5*115 PLASTIC HANDSET HOLDER	1
37	Ø23*0.8*640 SS201 S/STEEL RISER RAIL	1
38	28*73*65.8 ZINC-ALLOY RAIL CONNECTOR	1
39	M12*1*15*28*39 ZINC-ALLOY LEVER	1
40	PLASTIC RAIL CONNECTOR INSERT	1
41	Ø14*3 NBR O-RING	3
42	Ø19*0.8*600*335 SS201 UPPER RISER RAIL	1
43	M5*4 SS304 S/STEEL GRUB SCREW	2
44	Ø59.5*35.2 ZINC-ALLOY WALL BRACKET	1
45	ST5*30 FIXING KIT BAG	1
46	Ø200*50.5 SS304 S/STEEL SHOWER HEAD	1
47	Ø100*230 ABS SHOWER HANDSET	1
48	G1/2*G1/2*14*1.5m SS304 SHOWER HOSE	1