

## Bewl Mini Mono Mixer Basin (Inc. Waste)



<b>Product Code:</b>	Chrome	167.BWMBM
	Matt Black	167.BWMBMBL
	Brushed Brass	167.BWMBMBB

**Construction:** Brass Body (CuZn40Pb2),  
EN CW617N (equivalent to BS CZ122)  
Zinc-alloy handle

**Water Pressure:** Min. 0.5 bar, Max. 6.0 bar

**Plumbing Systems:** Suitable for all plumbing systems, Hot and Cold water pressure preferably balanced  
Max. supply pressure differential requirement no greater than 5:1

**Standards:** Complies with BS6920, BS EN200

**Cartridge:** 25mm ceramic disc cartridge

**Aerator:** Adjustable slim aerator

**Fitting:** UK: M10 x 350mm G1/2" BSP female flexi tails  
EU: M10 x 350mm G3/8" BSP female flexi tails

**Packaging:** 46 x 28 x 34cm / carton (8 boxes)  
Dimension: 27 x 22 x 8cm / box  
Weight: 1.25Kg / box

**Guarantee:** Excluding serviceable parts

**Additional Information:** Supplied with G1 1/4" Slotted Click Clack Waste

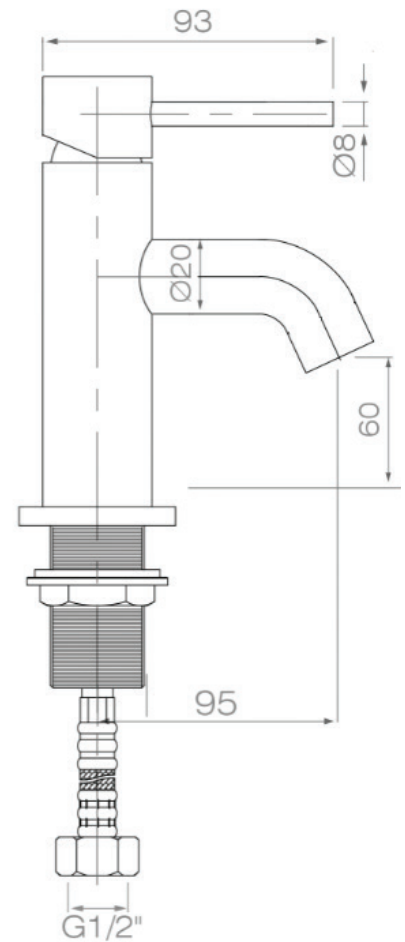
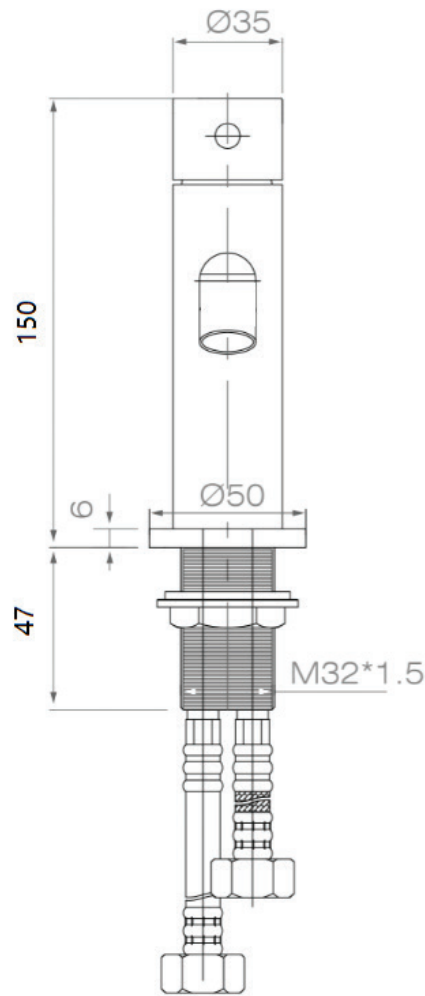
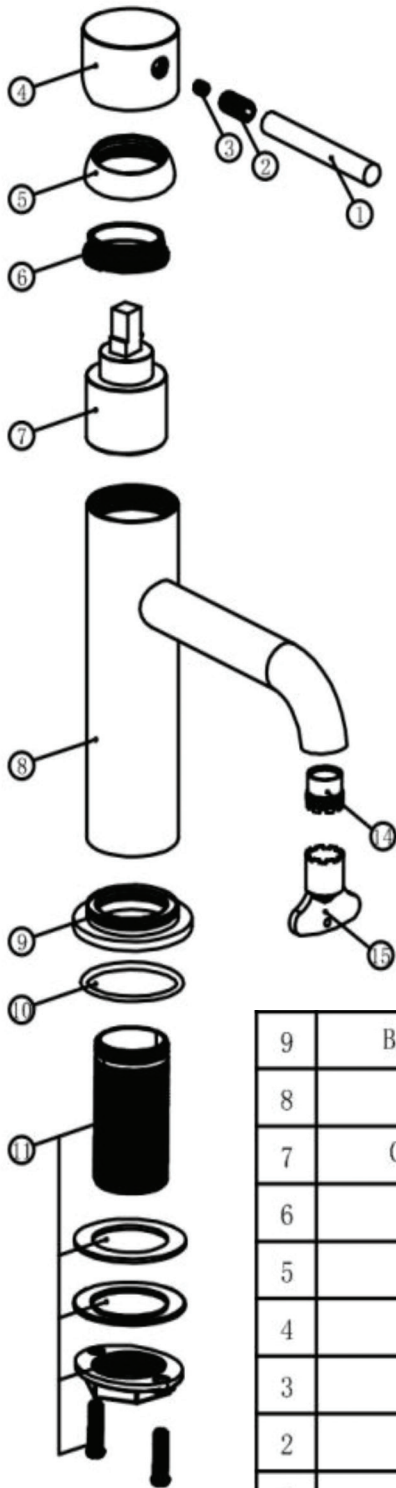
### Flow Rates (litres per minute)

System Pressure	0.1 Bar	0.2 Bar	0.3 Bar	0.5 Bar	1.0 Bar	1.5 Bar	2.0 Bar	3.0 Bar	4.0 Bar	5.0 Bar
167.BWMBM/BL/BB	-	-	-	4.9	6.5	-	7.1	8.6	-	-

All dimensions are in millimetres unless otherwise stated. The information contained on this page was correct at date of issue. Fitting dimensions are provided as a guide only. Some variation may occur due to manufacturing tolerances. We pursue a policy of continuing improvement in design and performance of our products and so reserve the right to change specifications without prior notice.

# 167.BWMBM/BL/BB

THE TUNBRIDGE WELLS  
Brassware Co.



9	BASE-PLATE	1	G07-09
8	BODY	1	G07-08
7	CARTRIDGE	1	G07-07
6	NUT	1	G07-06
5	SHROUD	1	G07-05
4	HANDLE	1	G07-04
3	SCREW	1	G07-03
2	SCREW	1	G07-02
1	LEVER	1	G07-01
NO.	NAME	QTY	CODE

15	AERATOR-OPENER	1	G07-19
14	AERATOR	1	G07-18
13	HOSE (RED)	1	G07-17
12	HOSE (BLUE)	1	G07-16
11	SCREW	2	G07-15
11	BACKNUT	1	G07-14
11	WASHER	1	G07-13
11	WASHER	1	G07-12
11	BSP-TAIL	1	G07-11
10	O-RING	1	G07-10
NO.	NAME	QTY	CODE