

DATA SHEET

THE TUNBRIDGE WELLS
Brassware Co.

Bowl Deck Mounted Bath Filler (Excl. Waste)



Product Code: Chrome 167.BWDMBF
Matt Black 167.BWDMBFBL
Brushed Brass 167.BWDMBFBB

Construction: Brass Body (CuZn40Pb2),
EN CW617N (equivalent to BS CZ122)
Zinc-alloy handles; Brass base
plates

Plumbing Systems: Suitable for all plumbing systems,
Hot and Cold water pressure
preferably balanced Max.
supply pressure differential
requirement no greater than 5:1

Water Pressure: Min. 1.5 bar, Max. 6.0 bar

Standards: Complies with BS5412, BS EN200

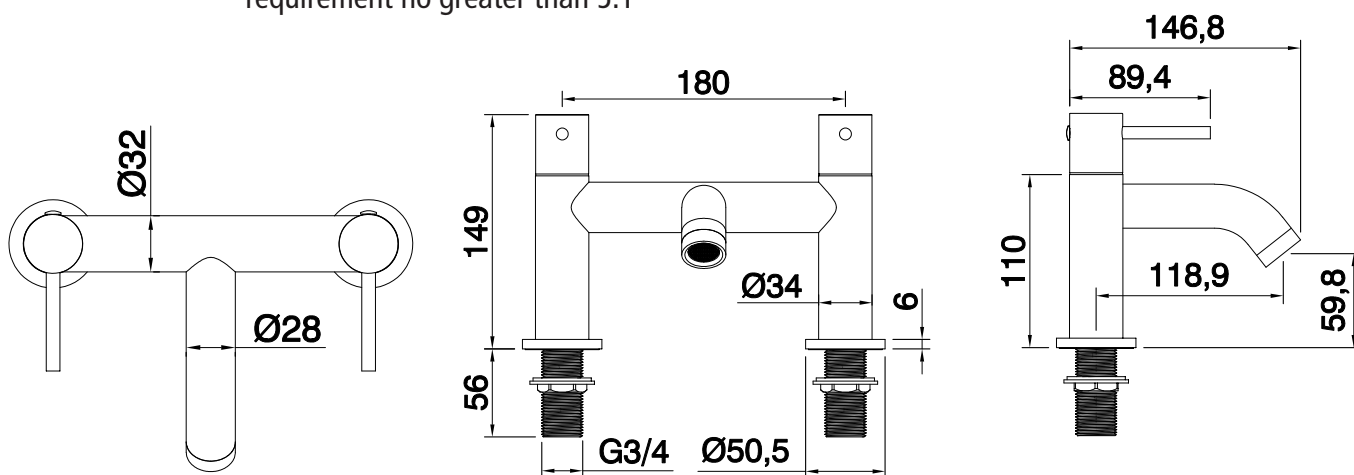
Cartridge: ¼ turn ¾" ceramic disc valves

Aerator: M22 spout aerator

Fitting: Brass G¾" BSP tails

Packaging: 50 x 29.5 x 38cm / carton (4 boxes)
Dimension: 28 x 24 x 18cm / box
Weight: 2.13Kg / box

Guarantee: Excluding serviceable parts



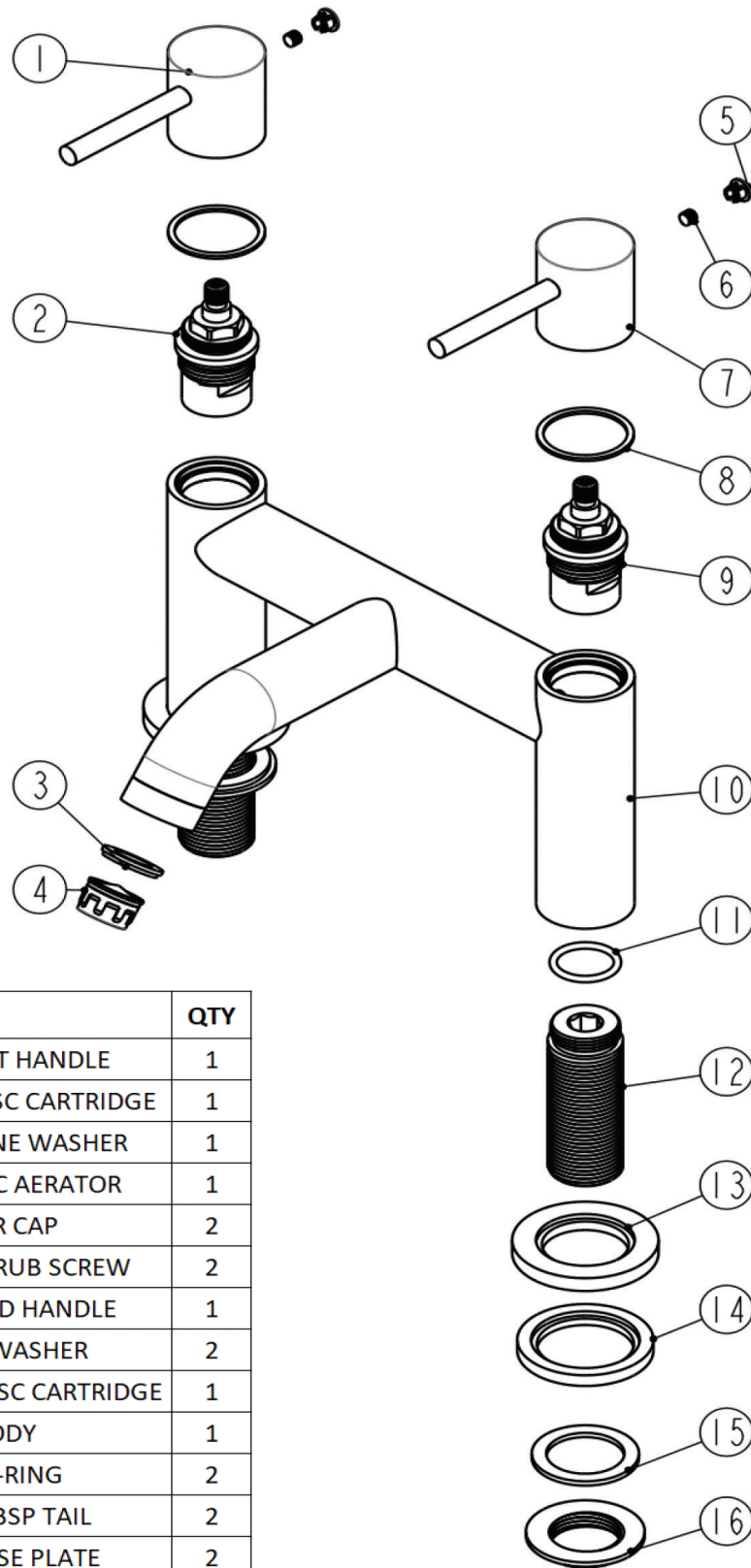
Flow Rates (litres per minute)

System Pressure	0.1 Bar	0.2 Bar	0.3 Bar	0.5 Bar	1.0 Bar	1.5 Bar	2.0 Bar	3.0 Bar	4.0 Bar	5.0 Bar
167.BWDMBF/BL/BB	-	-	-	7.4	10.7	13.4	15.6	19.3	-	-

All dimensions are in millimetres unless otherwise stated. The information contained on this page was correct at date of issue. Fitting dimensions are provided as a guide only. Some variation may occur due to manufacturing tolerances. We pursue a policy of continuing improvement in design and performance of our products and so reserve the right to change specifications without prior notice.

167.BWDMBF/BL/BB

THE TUNBRIDGE WELLS
Brassware Co.



NO.	ITEM	QTY
1	ø34 ZINC-ALLOY HOT HANDLE	1
2	G3/4" HOT CERAMIC DISC CARTRIDGE	1
3	ø22.8*ø15*3 SILICONE WASHER	1
4	ø21*12 M22 PLASTIC AERATOR	1
5	ø6.8 ABS COVER CAP	2
6	M5x5 S/S POINTED GRUB SCREW	2
7	ø34 ZINC-ALLOY COLD HANDLE	1
8	PLASTIC HANDLE WASHER	2
9	G3/4" COLD CERAMIC DISC CARTRIDGE	1
10	BRASS TAP BODY	1
11	ø22*2.5 NBR O-RING	2
12	G3/4*68L BRASS BSP TAIL	2
13	ø50.5*6 BRASS BASE PLATE	2
14	ø47*5 RUBBER WASHER	2
15	ø37*ø27*2 RUBBER WASHER	2
16	G3/4*7L BRASS LOCK NUT	2