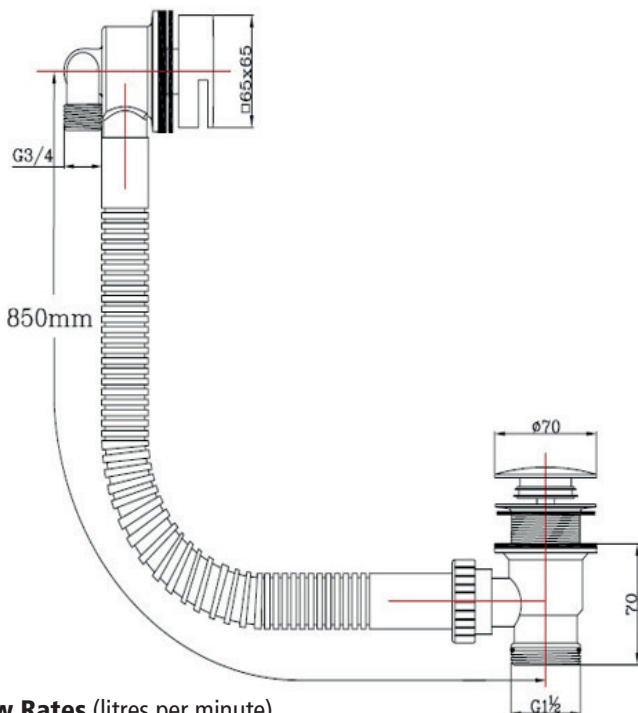


167.BFSPUWE** Square Bath Filler (with easy clean push button waste and overflow)

- Product Code:** Chrome 167.BFSPUWEC
Matt Black 167.BFSPUWECBL
Brushed Brass 167.BFSPUWECBB
- Construction:** Brass body and cover (H58), Stainless steel, polyethylene pipe, polypropylene & POM
- Water Pressure:** Min. 1.0 bar, Max. 6.0 bar
- Plumbing Systems:** Suitable for all plumbing systems, hot and cold water pressure preferably balanced.
Max supply pressure differential requirement no greater than 5:1
- Standards:** Complies with BS EN 200
- Fitting:** Inlet: Brass G3/4" BSP male thread; Waste: PP G1-1/2" BSP male thread
- Packaging:** 47 x 41 x 42cm / Carton (8 boxes)
Dimension: 45 x 19.6 x 10cm / box
Weight: 1.54Kg / box
- Guarantee:** 1 year against manufacturing faults
(excluding serviceable parts)
- Additional Information:** Centre to centre length: 85cm;
suitable for bathtub with 5-17mm thickness.
Comes with 2 x inlet elbows for hot and cold feed



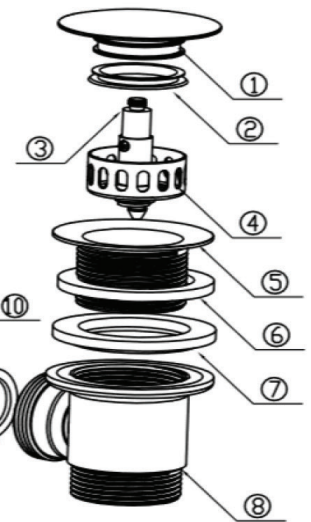
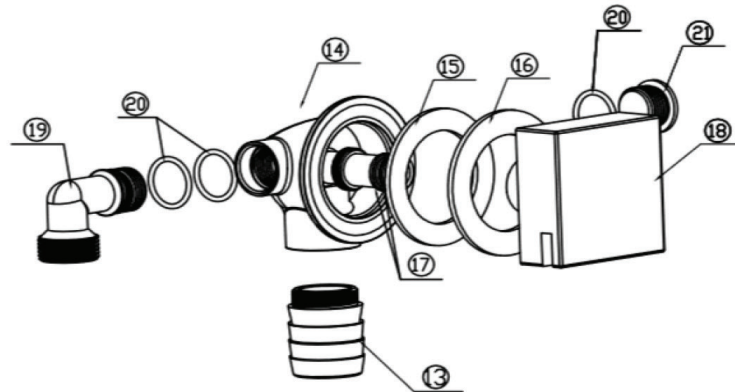
Flow Rates (litres per minute)

System Pressure	0.1 Bar	0.2 Bar	0.3 Bar	0.5 Bar	1.0 Bar	1.5 Bar	2.0 Bar	3.0 Bar	4.0 Bar	5.0 Bar
167.BFSPUWE**	-	6.1	-	10.5	15.3	-	21.7	26.6	-	-

All dimensions are in millimetres unless otherwise stated. The information contained on this page was correct at date of issue. Fitting dimensions are provided as a guide only. Some variation may occur due to manufacturing tolerances. We pursue a policy of continuing improvement in design and performance of our products and so reserve the right to change specifications without prior notice.

167.BFSPUWE**

THE TUNBRIDGE WELLS
Brassware Co.



21	plug	H58	1
20	O-ring	NBR	3
19	inlet connecter	H58	1
18	overflow seal cover	H58	1
17	O-ring	NBR	2
16	Foam gasket	foam	1
15	silicone rubber	Silicone	1
14	overflow elbow	H58	1
13	core	POM	1
12	pipe	PE	1
11	lock cap	PP	1
10	seal ring	NBR	1
9	derive pipe	PP	1
8	plastic tee joint	PP	1
7	rubber gasket	NBR	1
6	silicone rubber	Silicone	1
5	flange	H58	1
4	strainer	SUS304	1
3	pop up core	H58	1
2	silicone rubber seal	silicone	1
1	seal cover	H58	1
Number	product name	material	amount