

155.DMPL* Base Low Level Doc M WC (460mm High)



illustrated with Blue seat and Blue mounted back rest

Complete with: ■ Low Level WC
 ■ Doc M ring seat ■ Spatula flush handle ■ PVC flushpipe

CODE: 155.DMPLW - **White Seat**
 155.DMPLB - **Blue Seat**

WEIGHT: 40KG Combined

MATERIAL: White Vitreous China

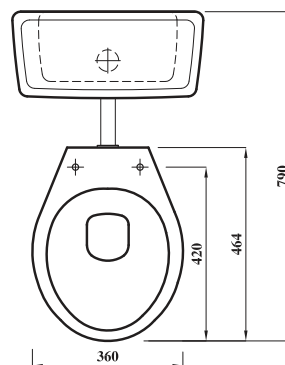
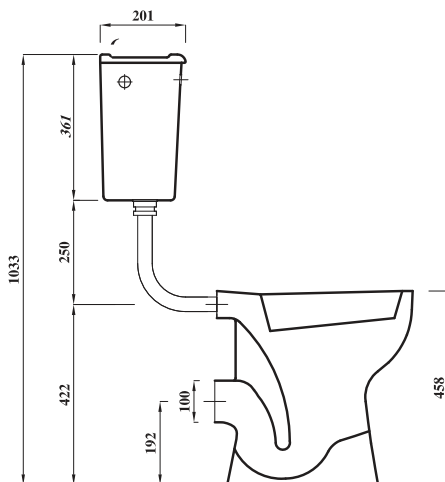
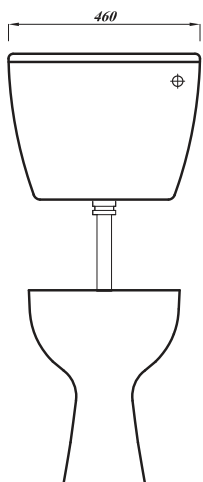
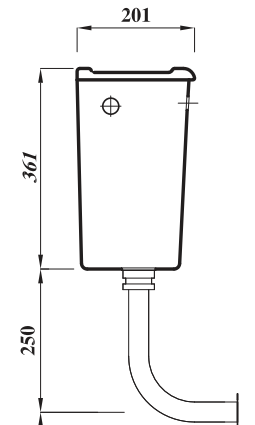
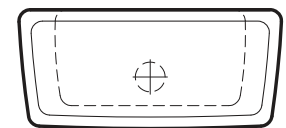
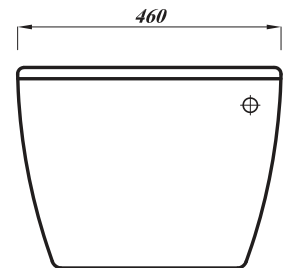
EXCLUDES: Grab Rails
 Back rest (sold separately)

Key features:

- 6ltr flush
- Right or left hand lever option
- Anti-vandal cistern lid
- Horizontal outlet
- Side inlet (left or right hand)
- Raised height
- WRAS approved

Description:

This comfort height WC is designed to be fully compliant with DocM. Its raised height and 790mm projection makes transferring to and from a wheelchair easier.



All dimensions are approximate and subject to normal ceramic variation. Although every effort is made not to change the above product specification, Claygate reserve the right to do so without prior notification if necessary.