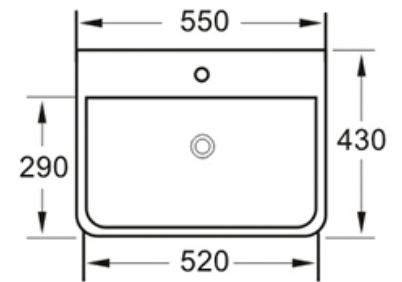
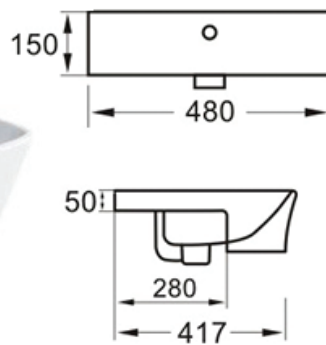


134.ASSRB5 Annabel Square Semi Recess Basin



- CODE:** 134.ASSRB5
- TAP HOLE:** 1TH
- SIZE:** 550 (W) x 430mm (D)
- WEIGHT:** 15KG
- MATERIAL:** Vitreous China
- COLOUR:** White
- Notes:** Excludes Furniture Unit,
Tap and Waste



Furniture for illustration
purposes only