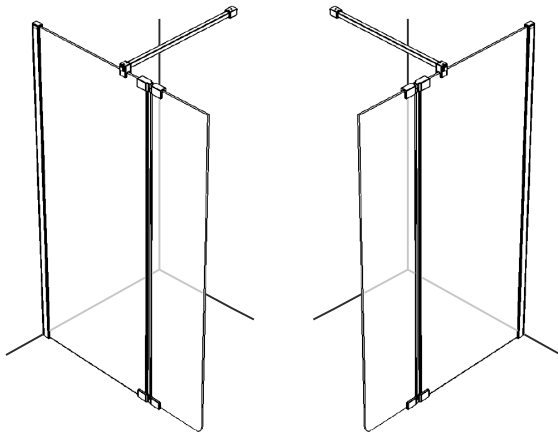


**Please read these instructions throughout before installing as incorrect fitting will invalidate the guarantee.**  
 These instructions to be used in conjunction with the main installation instructions when installing the Hinged Deflector Panel with the enclosure from new. The Hinged Deflector Panel can also be retro-fitted to an existing Ultimate 2 enclosure.  
 If you are unsure about these instructions please contact Kudos Shower Products 01539 564040

### IMPORTANT

Check appearance of all product - any defects must be reported to Kudos Shower Products before assembly/installation. Claims for imperfections will only be accepted prior to assembly/installation

Any claims made under the terms of the Lifetime Guarantee must be reported to Kudos within 21 days of the fault occurring

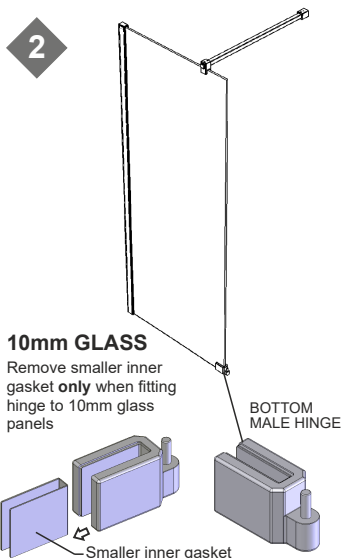


LEFT HAND  
Hinged Deflector Panel

RIGHT HAND  
Hinged Deflector Panel

These instructions show fitting of left hand deflector panel, right hand deflector panel is mirror image of these.

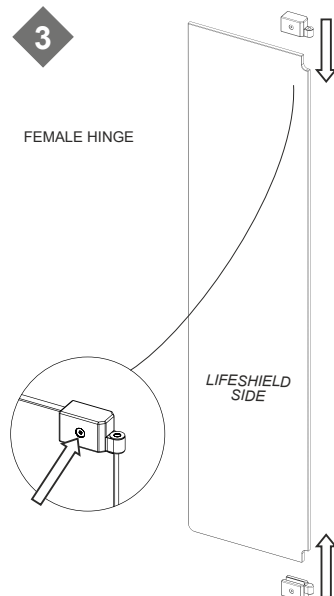
- 1 MAIN GLASS PANEL**  
 Clean main glass panel to ensure this is free of debris and grease. Panel must be thoroughly DRY before fitting deflector panel.



**10mm GLASS**  
 Remove smaller inner gasket **only** when fitting hinge to 10mm glass panels

**BOTTOM MALE HINGE**

**FIT BOTTOM MALE HINGE**  
 Ensuring screw faces to inside, fit bottom male hinge to bottom of main glass panel and fully tighten screw with 3mm allen key provided. Hinge must be in contact with showertray / tiled floor and tight against edge of glass panel.



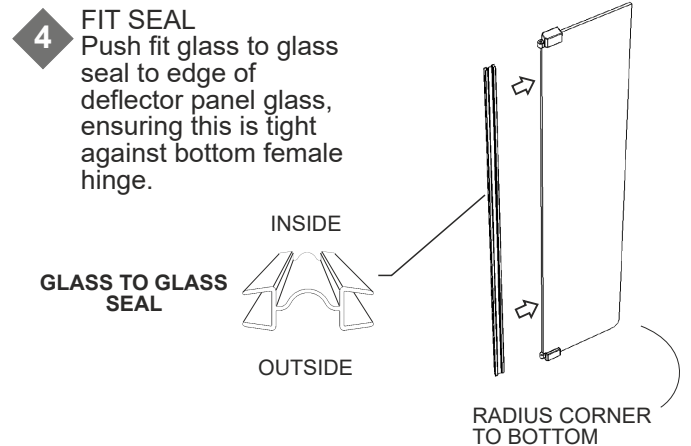
**FEMALE HINGE**

**LIFESHIELD SIDE**

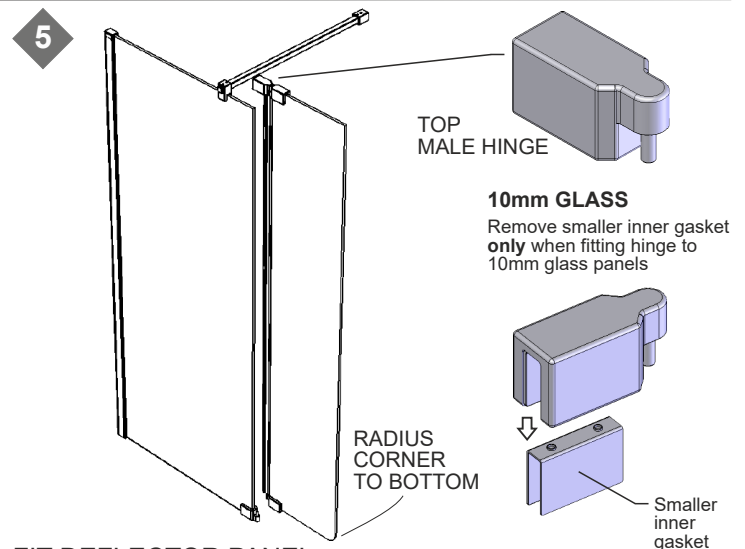
**FIT FEMALE HINGES**  
 Fit both female hinges to the deflector glass panel as shown. Make sure side screws face the Lifeshield side of the glass. Fully tighten screws with 3mm allen key provided.

### PACK CONTENTS

Deflector Glass Panel with Female Hinges Top & Bottom Male Hinges (in box). Glass to Glass Seal 3mm Allen Key (in box)



- 4 FIT SEAL**  
 Push fit glass to glass seal to edge of deflector panel glass, ensuring this is tight against bottom female hinge.



- 5 FIT DEFLECTOR PANEL**  
 With deflector panel upright, fit top male hinge into top female hinge. Carefully lift panel and engage bottom female hinge onto pin in the bottom male hinge. Slide top male hinge fully onto main glass panel and fully tighten screw using 3mm allen key.

- 6 Push fit seal onto edge of main glass panel.**

**Notes:** For optimum performance, deflector panel must be angled to inside of showering area when in use.  
 Do not use deflector panel for hanging towels/ garments etc.

**CLEANING - general**  
 Use only warm soapy water and damp cloth/ sponge on a regular basis. Do not use abrasive scouring powders, chemicals or aerosol cleaners - these may result in damage to the surfaces, in particular, the plated component parts.  
**KUDOS LIFESHIELD GLASS TREATMENT**  
 The Deflector Panel is pre-treated with Lifeshield on inside surface only.

**THESE INSTRUCTIONS ARE TO BE LEFT  
WITH THE CONSUMER**

**Please read these instructions throughout before installing as incorrect fitting will invalidate the guarantee.** These instructions to be used in conjunction with the main installation instructions when installing the Fixed Deflector Panel with the enclosure from new. The Fixed Deflector Panel can also be retro-fitted to an existing Ultimate 2 enclosure.

**If you are unsure about these instructions please contact Kudos Shower Products 01539 564040**

### IMPORTANT

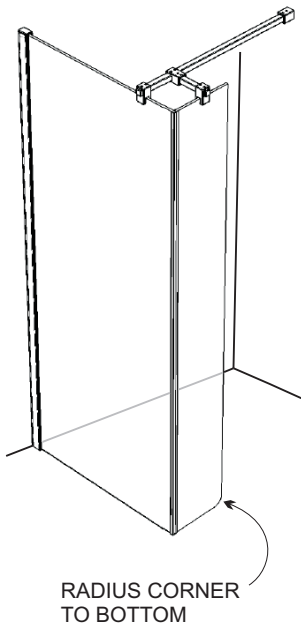
Check appearance of all product - any defects must be reported to Kudos Shower Products before assembly/installation. Claims for imperfections will only be accepted prior to assembly/installation

Any claims made under the terms of the Lifetime Guarantee must be reported to Kudos within 21 days of the fault occurring

### PACK CONTENTS

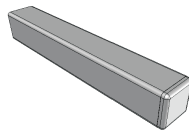
Glass Panel  
Glass to Glass Corner Seal  
Top Finial & Rail Junction Bracket  
Short Stabiliser Rail - *for use where no Side Panel Component Pack is fitted*  
3mm Allen Key

### RECESS INSTALLATION



RADIUS CORNER TO BOTTOM

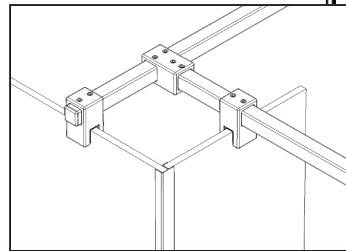
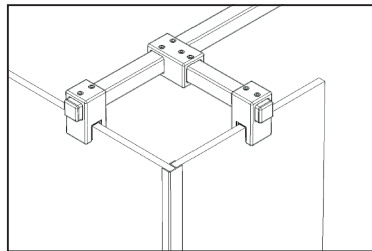
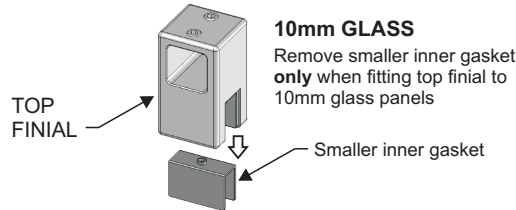
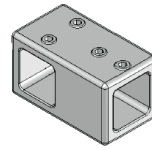
### SHORT STABILISER RAIL



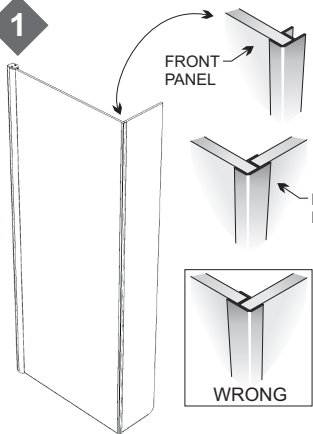
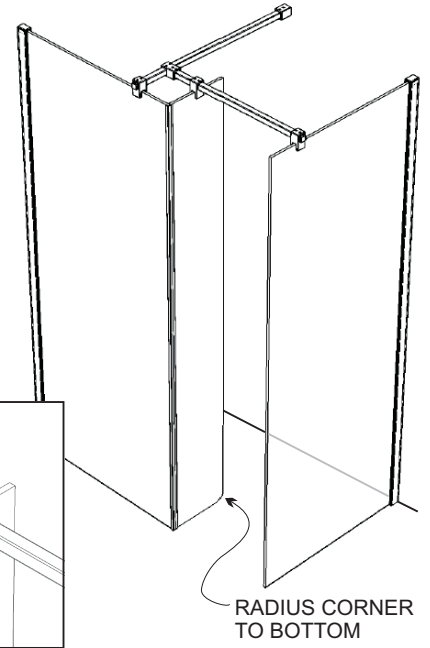
### TOP FINIAL



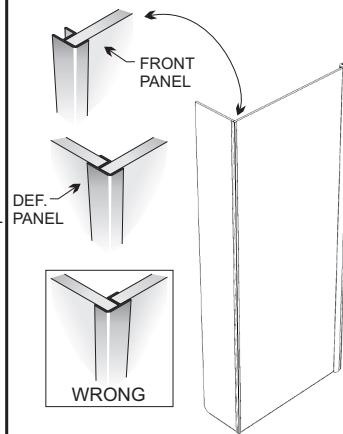
### RAIL JUNCTION BRACKET



### CORNER INSTALLATION



FITTING TO RIGHT-HAND SIDE OF FRONT PANEL



FITTING TO LEFT-HAND SIDE OF FRONT PANEL

### FIT CORNER SEAL

Push fit vertical corner seal onto the edge of the front panel glass, ensuring seal is level with top of glass. Ensure the seal is pushed fully home onto edge of the glass.

**TIP** Wipe edge of glass with clean, slightly damp cloth to ease fitment of seal.

### 2 FIT DEFLECTOR PANEL

Carefully offer up the Deflector Panel and push fit into the corner seal ensuring the top of the panel is level with the top of front panel glass. The corner seal must be pushed fully home onto both edges of the panels.

**TIP** Use packing eg. cardboard, to support the bottom of the panel until the top support parts have been fitted.

### 3 FIT TOP SUPPORT PARTS

Fit the Deflector parts as shown above, ensuring all grub screws are fully tightened:

**Rail Junction Bracket** - ensure grub screws face towards ceiling, this part is not required if Side Panel Junction Bracket is already fitted.

**Top Finial** - ensure side grub screw faces towards inside of enclosure.

**Short Stabiliser Rail** - may be cut as necessary, using hacksaw, ensuring that this is fully engaged into the Rail Junction Bracket when fitted.

This part is not required for corner installations.

### CLEANING - general

Use only warm soapy water and damp cloth/ sponge on a regular basis. Do not use abrasive scouring powders, chemicals or aerosol cleaners - these may result in damage to the surfaces, in particular, the plated component parts.

### KUDOS LIFESHIELD GLASS TREATMENT

The Deflector Panel is pre-treated with Lifeshield on both surfaces.

**THESE INSTRUCTIONS ARE TO BE LEFT WITH THE CONSUMER**